



**Trusted Experts of Quality Electrics**



**Complete & Dependable Line of  
Electronic Ignitors | Oil & Gas Transformers**



## About Allanson

Allanson Environmental Electrics Group is a leading provider of innovative solutions to the heating and air conditioning industry for residential, industrial and commercial applications. As such, it combines best-in-class technology with proven engineering, design, and distribution services.



For over 90 years Allanson’s Environmental Electrics have provided reliable quality products. Our product line ranges from transformers and electronic ignitors, to testing equipment and air purification systems. It also features the only universal ignitor in the industry - the OMNI®. We are committed to bringing comfort to indoor environments.

## Index

Electronic Oil Ignitors .....	3, 4, 5
Production Transformers .....	6, 7, 8, 9, 10, 11
Service Replacement Transformers .....	12, 13
Industrial Gas Transformers .....	14, 15
Industrial Transformers .....	16, 17
Industrial Gas Ignitors .....	18
Oil Ignition Testing Equipment - CHEK-MATE™ .....	19
Electronic Oil Ignitor Mounting Plates .....	20, 21
Industrial Transformer Mounting Plates .....	21
SWORDFISH® UVC Air Purification .....	22, 23
Accessories .....	24
Technical & Electrical Specifications.....	25
Cross Reference Charts .....	26, 27
Warranty, Contact Information .....	B.C.



# OMNI® Universal Ignitor

## 2275-U

- The only universal ignitor
- Mounts onto any previously installed ignitor mounting plates
- Eliminates need for extra mounting plates
- Makes your service calls quick and easy
- Ships complete with required hardware



Model	Electrical Specifications
2270	12 Vdc, 20 kVpk Secondary, 22mA, Mid Point Ground
2275	120 Volt, 50/60 Hz, 17.5 kVpk Secondary, 45mA, Mid Point Ground
2280	240 Volt, 50/60 Hz, 17.5 kVpk Secondary, 45mA, Mid Point Ground



## Service Kit

**2275-KIT1** and **2275-KITCAN**  
Electronic Ignition Transformer  
Service Kit

- Includes:
- 2 OMNI® universal ignitors
  - Selection of mounting plates
  - Variety of contact terminals
  - Tool box

	2275U OMNI®	2600 AERO	2601 BECKETT S	2602 WAYNE HI SPEED M/MMH	2603 WAYNE E	2604 BECKETT A, AF, AFG	2605 CARLIN 99, 100, 101, Miser	2609 CARLIN 17.5 FR, 200, 201, 500, 501 CRD	2612 GRIMSBY	2614 BROCK	54-740 Universal Contact Kit
2275-KIT1	2		1	1	1	1	1				1
2275-KITCAN	2	2				2	1				1

\*Contact Customer Service For Customized Kits



**2275-456**

**Burner Manufacturer:**  
**Aero**  
**HV Terminal:**  
**Zinc Plated Button**  
**Hinge Location:**  
**End Hinge**



**2275-589**

**Burner Manufacturer:**  
**Grimsby**  
**HV Terminal:**  
**Cone Compression Spring**  
**Hinge Location:**  
**End Hinge**



**2275-605**

**Burner Manufacturer:**  
**Beckett S**  
**HV Terminal:**  
**Large Spring Contact**  
**Hinge Location:**  
**End Hinge**



**2275-619**

**Burner Manufacturer:**  
**Wayne HI Speed M/MH**  
**HV Terminal:**  
**Small Spring Contact**  
**Hinge Location:**  
**End Hinge**



**2275-620**

**Burner Manufacturer:**  
**Wayne E**  
**HV Terminal:**  
**Large Spring Contact**  
**Hinge Location:**  
**Side Hinge**



**2275-628G**

**Burner Manufacturer:**  
**Beckett A, AF, AFG**  
**HV Terminal:**  
**Large Spring Contact**  
**Hinge Location:**  
**End Hinge**  
**Includes:**  
**Mounting Plate and Barrier Gaskets**  
**Mounting Plate Clips**



**2275-629**

**Burner Manufacturer:**  
**Carlin 17.5 FR, 200, 201, 500, 501 CRD**  
**HV Terminal:**  
**Finger Contact**  
**Hinge Location:**  
**Side Hinge**



**2275-630**

**Burner Manufacturer:**  
**Carlin 99, 100, 101, Card Miser**  
**HV Terminal:**  
**Spring Clip Contact**  
**Hinge Location:**  
**End Hinge**  
**Includes:**  
**Mounting Plate Gasket**



### 2275-633

**Burner Manufacturer:**  
**Carlin 601**  
**HV Terminal:**  
**Rajah Connector**  
**Description:**  
**Side Bracket Mounting**  
**Includes:**  
**2 Rajah Connector Caps**



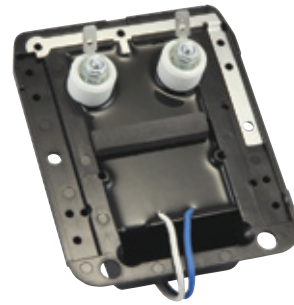
### 2275-637

**Burner Manufacturer:**  
**Wayne FH**  
**HV Terminal:**  
**Large Spring Contact**  
**Hinge Location:**  
**Side Hinge**



### 2275-647

**Burner Manufacturer:**  
**Wayne HS**  
**HV Terminal:**  
**Small Spring Contact**



### 2275-653

**Burner Manufacturer:**  
**Weil McLain, QB 180**  
**HV Terminal:**  
**1/4" Push On**



### 2275-658

**Burner Manufacturer:**  
**Beckett AFII**  
**HV Terminal:**  
**High Voltage Cables with 1/4" Push On**  
**Description:**  
**Side Bracket Mounting**

Model	Electrical Specifications
2270	12 Vdc, 20 kVpk Secondary, 22mA, Mid Point Ground
2275	120 Volt, 50/60 Hz, 17.5 kVpk Secondary, 45mA, Mid Point Ground
2280	240 Volt, 50/60 Hz, 17.5 kVpk Secondary, 45mA, Mid Point Ground



**2721-068**



**HV Terminal: Zinc Plated Button**  
**Hinge Location: Side Hinge**



**2721-069**



**Burner Manufacturer: John Wood**  
**HV Terminal: Large Spring Contact**  
**Hinge Location: Side Hinge**



**2721-252A**



**HV Terminal: Zinc Plated Button**  
**Hinge Location: Side Hinge**



**2721-362A**



**HV Terminal: Compression Cone Spring**



**2721-368M**



**Burner Manufacturer: Metro**  
**HV Terminal: Zinc Plated Button**  
**Hinge Location: End Hinge**



**2721-409**



**Burner Manufacturer: ABC Crane**  
**HV Terminal: Zinc Plated Button**  
**Description: Special Side Bracket**  
**Replaces: Webster: 313-25AB73, France: LKR-2**



**2721-411**



**Burner Manufacturer: ABC**  
**HV Terminal: Zinc Plated Button**  
**Hinge Location: End Hinge**  
**Replaces: Webster: 313-25AB59, France: 5LAY-20**



**2721-448**



**Burner Manufacturer: NU Way (Large Plate)**  
**HV Terminal: Buss Bar Contact**  
**Hinge Location: End Hinge**  
**Replaces: Webster: 313-24AB80**



**2721-452**

**Burner Manufacturer: ABC D&LC**  
**HV Terminal: Buss Bar Contact**  
**Hinge Location: Side Hinge**  
**Replaces: Webster: 313-26AB65, France: 5LAY-11**



**2721-456**

**Burner Manufacturer: Aero**  
**HV Terminal: Zinc Plated Button**  
**Hinge Location: End Hinge**  
**Replaces: Webster: 313-24ABAER, France: 5LAY-56**



**2721-457**

**Burner Manufacturer: Acme Weatherall**  
**HV Terminal: Zinc Plated Button**  
**Hinge Location: Side Hinge**  
**Replaces: Webster: 3-25AB-AH, France: LKE**



**2721-558**

**Burner Manufacturer: Conroy**  
**HV Terminal: Compression Cone Spring**  
**Hinge Location: Side Hinge**



**2721-572**

**Burner Manufacturer: NU Way (Small Plate)**  
**HV Terminal: Buss Bar Contact**  
**Hinge Location: End Hinge**  
**Replaces: Webster: 313-24AB82**



**2721-576**

**HV Terminal: Zinc Plated Button**  
**Hinge Location: Special Side Hinge**



**2721-589**

**Burner Manufacturer: Grimsby**  
**HV Terminal: Compression Cone Spring**  
**Hinge Location: End Hinge**



**2721-605**

**Burner Manufacturer: Beckett S**  
**HV Terminal: Large Spring Contact**  
**Hinge Location: End Hinge**  
**Replaces: Webster: 313-28AB92/313-28AB-BF, France: 5LAY-05**

**Production Transformers**



**2721-619**



**Burner Manufacturer:** Wayne HI Speed M/MH  
**HV Terminal:** Small Spring Contact  
**Hinge Location:** End Hinge  
**Replaces:** Webster: 313-28AB91, France: 5LAY-03



**2721-620**



**Burner Manufacturer:** Wayne E  
**HV Terminal:** Large Spring Contact  
**Hinge Location:** Side Hinge  
**Includes:** Mounting Plate Gasket  
**Replaces:** Webster: 313-25AB78, France: 5LAY-30



**2721-627**



**Burner Manufacturer:** Brock  
**HV Terminal:** Zinc Plated Button  
**Hinge Location:** End Hinge  
**Replaces:** France: 5LAY-57



**2721-628G**



**Burner Manufacturer:** Beckett A, AF, AFG  
**HV Terminal:** Large Spring Contact  
**Hinge Location:** End Hinge  
**Includes:** Mounting Plate and Barrier Gaskets  
 Mounting Plate Clips  
**Replaces:** Webster: 3-28AB-BAF, France: 5LAY-04



**2721-629**



**Burner Manufacturer:** Carlin 17.5 FR, 200, 201, 500, 501 CRD  
**HV Terminal:** Finger Contact  
**Hinge Location:** Side Hinge  
**Replaces:** Webster: 313-24AB-81, France: 5LAY-16



**2721-630**



**Burner Manufacturer:** Carlin 99, 100, 101, Card Miser  
**HV Terminal:** Spring Clip Contact  
**Hinge Location:** End Hinge  
**Includes:** Mounting Plate Gasket  
**Replaces:** Webster: 313-28AB85, France: 5LAY-15



**2721-631A**



**Burner Manufacturer:** ABC Sunray  
**HV Terminal:** Small Spring Contact  
**Hinge Location:** Side Hinge  
**Replaces:** Webster: 313-25AB86, France: 5LAY-12



**2721-637**



**Burner Manufacturer:** Wayne  
**HV Terminal:** Zinc Plated Button  
**Hinge Location:** Side Hinge  
**Includes:** Mounting Plate Gasket  
**Replaces:** Webster: 313-25AB49, France: 5LAY-21





**2721-647**



**Burner Manufacturer: Wayne Blue Angel Eagle One**  
**HV Terminal: Small Spring Contact**  
**Description: 8-32 x 3/8 Mounting Studs**  
**Replaces: Webster: 313-28AB205W/313-28ABWHS,**  
**France: 5LAY-31**



**2721-653**



**Burner Manufacturer: Weil McLain QB180**  
**HV Terminal: 1/4" Push On**



**2721-654**



**Burner Manufacturer: Clean Burn**  
**HV Terminal: 8-32 Threaded Post**  
**Hinge Location: End Hinge**  
**Replaces: France: 5LAY-59**



**2721-668**



**Burner Manufacturer: Wayne**  
**HV Terminal: Large Spring Contact**  
**Replaces: Webster: 313-28AB205W/313-28ABWHS,**  
**France: 5LAY-31**



**2741-658**



**Burner Manufacturer: Beckett AFII**  
**HV Terminal: High Voltage Cables with 1/4" Push On**  
**Description: Side Bracket Mounting**  
**Replaces: Webster: 3-32AB-BAF**

Model	Electrical Specifications
2721	120 Volt, 60 Hz, 10000 Volt Secondary, 23mA, Mid Point Ground, Small Can Series
2729	220 Volt, 50 Hz, 10000 Volt Secondary, 23mA, Mid Point Ground, Small Can Series
2730	110 Volt, 50 Hz, 10000 Volt Secondary, 23mA, Mid Point Ground, Small Can Series
2744	240 Volt, 60 Hz, 10000 Volt Secondary, 23mA, Mid Point Ground, Small Can Series



**421-095**



**Burner Manufacturer:** York Shipley  
**HV Terminal:** Buss Bar Clips  
**Junction Box:** External  
**Description:** Side Bracket Mounting  
**Replaces:** Webster: 312-26ABE407,  
 France: LGEW-1



**421-104E**



**Burner Manufacturer:** Aero, Metal Master, Sunray  
**HV Terminal:** Buss Bar Clips  
**Junction Box:** Internal  
**Replaces:** Webster: 312-26AB022



**421-254A**



**Burner Manufacturer:** Barriere  
**HV Terminal:** Zinc Plated Button  
**Hinge Location:** Side Hinge



**421-331**



**Burner Manufacturer:** Lennox  
**HV Terminal:** Zinc Plated Button  
**Hinge Location:** End Hinge  
**Replaces:** Webster: 313-25AB62



**421-340**



**Burner Manufacturer:** Armstrong/Esso  
**HV Terminal:** Rajah Connector  
**Junction Box:** External  
**Replaces:** Webster: 312-25ABE1,  
 France: LGPW-2



**421-430**



**Burner Manufacturer:** Ducane  
**HV Terminal:** Zinc Plated Button  
**Replaces:** Webster: 313-25AB90,  
 France: 5LAY-06



**421-557**



**Burner Manufacturer:** Arco American Standard  
**HV Terminal:** Buss Bar Clips  
**Junction Box:** External  
**Replaces:** Webster: 312-26ABE23,  
France: LGHW



**421-655-G**



**Burner Manufacturer:** Power Flame  
**HV Terminal:** Rajah Connector  
**Junction Box:** Internal  
**Description:** 1/4-20 x 1" Mounting Studs,  
primary with three wires, one ground wire  
**Replaces:** Webster: 312-25AB0418



**421-659**



**Burner Manufacturer:** Cleaver Brooks,  
Industrial Combustion  
**HV Terminal:** Rajah Connector  
**Junction Box:** Internal  
**Replaces:** Webster: 312-08A097/312-810169



**421-661**



**Burner Manufacturer:** Gordon Piatt  
**HV Terminal:** Rajah Connector  
**Replaces:** Webster: 313-25AB100



**421-663**



**Burner Manufacturer:** PVI Industries  
**HV Terminal:** Thumb Screw  
**Junction Box:** Internal  
**Description:** 1/4-20 x 1" Mounting Studs



**421-664**



**Burner Manufacturer:** Webster Engineering  
**HV Terminal:** Thumb Screw  
**Junction Box:** Internal

Model	Electrical Specifications
421	120 Volt, 60 Hz, 10000 Volt Secondary, 23mA, Mid Point Ground, Large Can Series
444	240 Volt, 60 Hz, 10000 Volt Secondary, 23mA, Mid Point Ground, Large Can Series
911	240 Volt, 50 Hz, 10000 Volt Secondary, 23mA, Mid Point Ground, Large Can Series
912	120 Volt, 50 Hz, 10000 Volt Secondary, 23mA, Mid Point Ground, Large Can Series



## Universal Service Replacement Transformer

421-BT636

HV Terminal:

- Complete with required hardware
- Six position adaptability
- Includes mounting plate 2567-01

Junction Box: Internal

Replaces: Webster: 312-25AX0600,  
France: LAUV

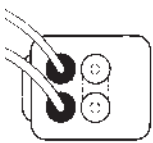


FIG. 1



FIG. 2

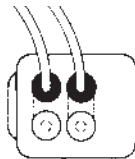


FIG. 3



FIG. 4

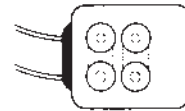


FIG. 5

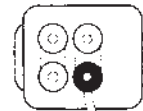


FIG. 6

## Universal Service Replacement Transformer

421-BT384

HV Terminal:

- Complete with required hardware
- Five position adaptability

Junction Box: Internal





**421-BT104**



**HV Terminal: Thumb Screw**  
**Junction Box: Internal**  
 Replaces: Webster: 312-24AB0237,  
 France: LGCV



**421-BT290**



**HV Terminal: Thumb Screw**  
**Junction Box: Internal**  
 Replaces: Webster: 312-24AB0202,  
 France: LGDV



**421-BT299**



**HV Terminal: Rajah Connector**  
**Junction Box: Internal**  
 Replaces: Webster: 312-25A0202,  
 France: LFBV



**421-BT332**



**HV Terminal: Rajah Connector**  
**Junction Box: Internal**  
 Replaces: Webster: 312-25AB0202,  
 France: LGFV



**421-BT387**



**HV Terminal: Thumb Screw**  
**Junction Box: Internal**  
 Replaces: Webster: 312-24A0202,  
 France: LFAV

Model	Electrical Specifications
421	120 Volt, 60 Hz, 10000 Volt Secondary, 23mA, Mid Point Ground, Large Can Series
444	240 Volt, 60 Hz, 10000 Volt Secondary, 23mA, Mid Point Ground, Large Can Series
911	240 Volt, 50 Hz, 10000 Volt Secondary, 23mA, Mid Point Ground, Large Can Series
912	120 Volt, 50 Hz, 10000 Volt Secondary, 23mA, Mid Point Ground, Large Can Series



**1092-H**



**Burner Manufacturer:** Cleaver Brooks,  
Industrial Combustion  
**HV Terminal:** Rajah Connector  
**Junction Box:** Internal  
**Replaces:** Webster: 612-8A021



**1092-PF-G**



**Burner Manufacturer:** Power Flame  
**HV Terminal:** Thumb Screw  
**Junction Box:** Internal  
**Description:** 1/4-20 x 1" Mounting Studs,  
primary with three wires, one ground wire  
**Replaces:** Webster: 612-6A056



**1092-S**



**Burner Manufacturer:** Gordon Piatt  
**HV Terminal:** Thumb Screw  
**Junction Box:** Internal  
**Replaces:** Webster: 612-6A020/612-6A072



**1092-F**



**HV Terminal:** Thumb Screw  
**Description:** Conduit Connection  
**Replaces:** Webster: 612-6A7,  
France: 6EEGW-2



**1092-K**



**Burner Manufacturer:** Dunham-Bush, Iron Fireman  
**HV Terminal:** Rajah Connector  
**Junction Box:** Internal  
**Description:** 1/4-20x1" Mounting Studs  
**Replaces:** Webster: 612-8AB017



**1092-IC**



**Burner Manufacturer:** Cleaver Brooks,  
Industrial Combustion  
**HV Terminal:** Rajah Connector  
**Junction Box:** Internal  
**Description:** 1/4-20 x 1" Mounting Studs



1092-N



Burner Manufacturer: Ray Burner  
HV Terminal: Thumb Screw  
Description: Conduit Connection  
Replaces: Webster: 613-6A10,  
France: 3RAFYR-14



1092-NA



Burner Manufacturer: North American  
HV Terminal: Rajah Connector  
Junction Box: Internal  
Replaces: Webster: 612-8A02



1092-SG



Burner Manufacturer: Webster  
HV Terminal: Thumb Screw  
Junction Box: Internal  
Description: Primary with three wires,  
one ground wire

Model	Electrical Specifications
1092	120 Volt, 50/60 Hz, 6000 Volt Secondary, 25/20mA, One End Ground
1112	240 Volt, 60 Hz, 6000 Volt Secondary, 20mA, One End Ground
1196	240 Volt, 50 Hz, 6000 Volt Secondary, 20mA, One End Ground



**2714-359**



**Burner Manufacturer: Cleaver Brooks, Industrial Combustion**  
**HV Terminal: Rajah Connector**  
**Junction Box: Internal**  
**Replaces: Webster: 12-8A08, France: 2KAAVS-1**



**2714-500**



**HV Terminal: Rajah Connector**  
**Junction Box: Internal**  
**Description: 1/4-20 x 1" Mounting Studs**



**2714-633**



**Burner Manufacturer: Carlin**  
**HV Terminal: Rajah Connector**  
**Junction Box: Internal**  
**Description: Side Bracket Mounting**  
**Replaces: Webster: 12-8AB7, France: 2KACVS-2**



**2714-655-G**



**Burner Manufacturer: Power Flame**  
**HV Terminal: Rajah Connector**  
**Junction Box: Internal**  
**Description: 1/4-20x1" Mounting Studs, primary with three wires, one ground wire**  
**Replaces: Webster: 12-8AB11**



**2714-656**



**Burner Manufacturer: Beckett**  
**HV Terminal: Rajah Connector**  
**Description: Conduit Connection**  
**Available in 220V-2742-656**  
**Replaces: Webster: 12-8AB16**



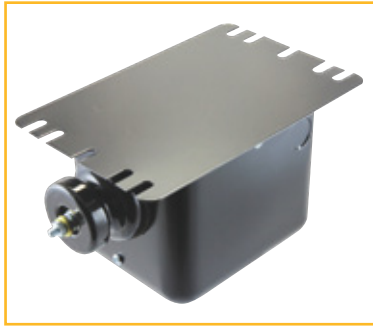
**2714-662**



**Burner Manufacturer: Gordon Piatt**  
**HV Terminal: Rajah Connector**  
**Junction Box: Internal**  
**Replaces: Webster: 12-8AB02**

Model	Electrical Specifications
2714	120 Volt, 60 Hz, 12000 Volt Secondary, 20mA, Mid Point Ground
2742	220 Volt, 50 Hz, 12000 Volt Secondary, 20mA, Mid Point Ground





**542-A**



**HV Terminal: 1/4-20 Stud**  
**Junction Box: Internal**  
**Replaces: Webster: 312-6A0456**



**542-GP**



**Burner Manufacturer: Gordon Piatt**  
**HV Terminal: 1/4-20 Stud**  
**Junction Box: Internal**  
**Replaces: Webster: 312-9A0456**



**542-H**



**Burner Manufacturer: Cleaver Brooks,  
Industrial Combustion**  
**HV Terminal: 1/4-20 Stud**  
**Junction Box: Internal**



**542-PF-G**



**Burner Manufacturer: Power Flame**  
**HV Terminal: 1/4-20 Stud**  
**Junction Box: Internal**  
**Description: 1/4-20x1" Mounting Studs,  
primary with three wires, one ground wire**

Model	Electrical Specifications
542	120 Volt, 60 Hz, 10000 Volt Secondary, 23mA, One End Ground

2260-P



**Description:**  
Center mounting, primary wire plug set with pigtails, one ground wire, 2 way mounting

2260-TP



**Description:**  
Mounting tabs, primary plug set with pigtails, one ground wire, 3 way mounting

2260-TW



**Description:**  
Mounting tabs with traditional bottom exit primary pigtails, 3 way mounting

2260-TWG



**Description:**  
Mounting tabs with traditional bottom exit primary pigtails, 3 way mounting, 18" H.V. secondary cable

Model	Electrical Specifications
2260	120 Volt, 50/60 Hz, 15.6 kVpk Volt Secondary, 28mA, One End Ground
2265	230 Volt, 50/60 Hz, 15.6 kVpk Volt Secondary, 30mA, One End Ground



## Chek-Mate™

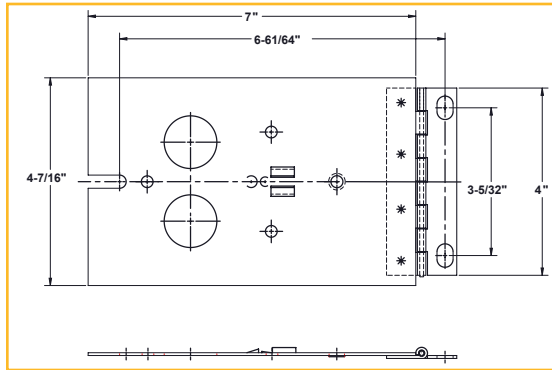
SC-2100

- Safe and reliable
- Tests all manufacturer's 2 pole electronic ignitors and iron core transformers
- LED indicator notifies you if unit is functioning and producing enough spark to ignite the fuel oil
- Easy to use, lightweight and compact
- Makes service calls quick and easy

# Electronic Oil Ignitor Mounting Plates

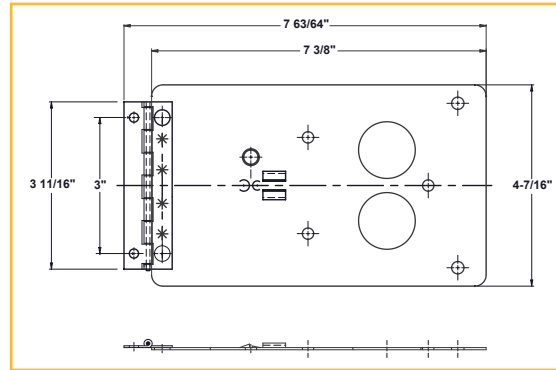
Mounting Plates

**2600**



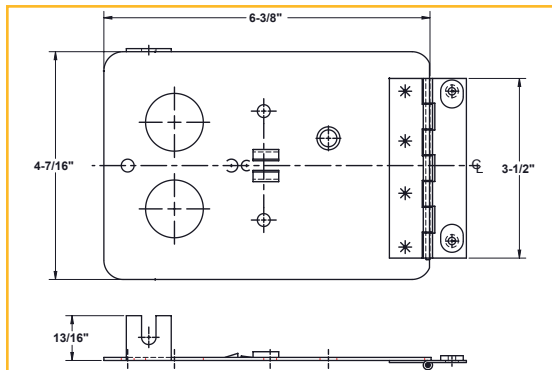
**Burner Manufacturer: Aero**

**2601**



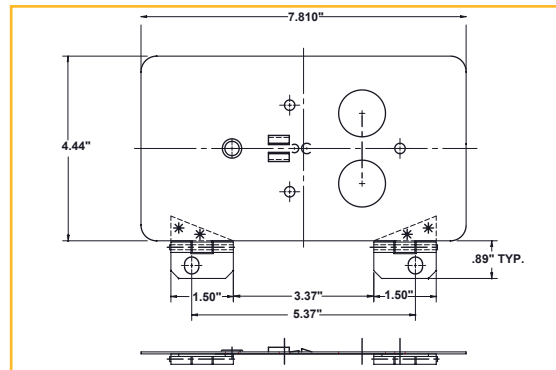
**Burner Manufacturer: Beckett S**

**2602**



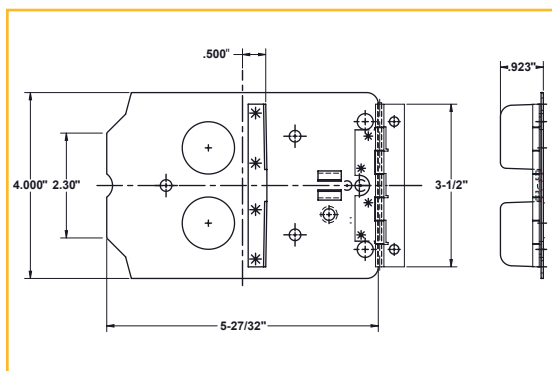
**Burner Manufacturer: Wayne HI, Speed M/MH**

**2603**



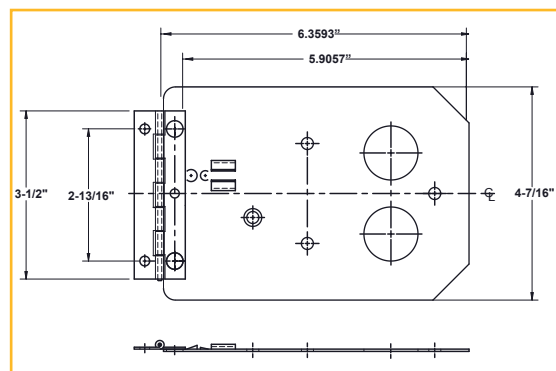
**Burner Manufacturer: Wayne E**

**2604**



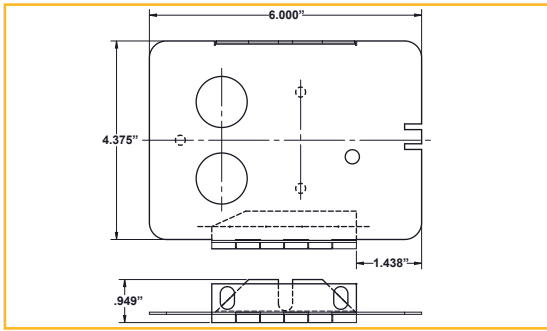
**Burner Manufacturer: Beckett A, AF, AFG**

**2605**



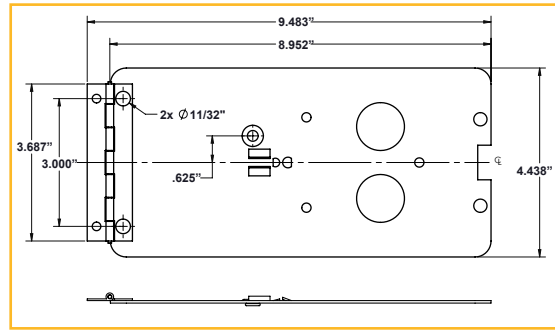
**Burner Manufacturer: Carlin 99, 100, 101, Card Miser**

### 2609



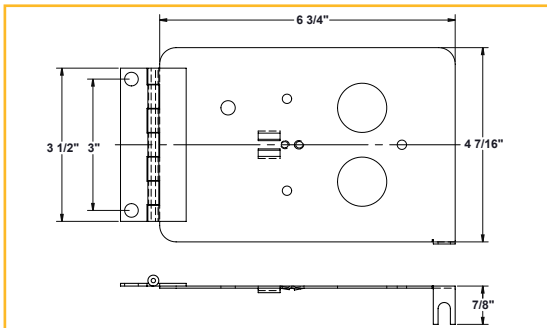
**Burner Manufacturer:**  
Carlin 17.5, FR, 200, 201, 500, 501 CRD

### 2612



**Burner Manufacturer:** Grimsby

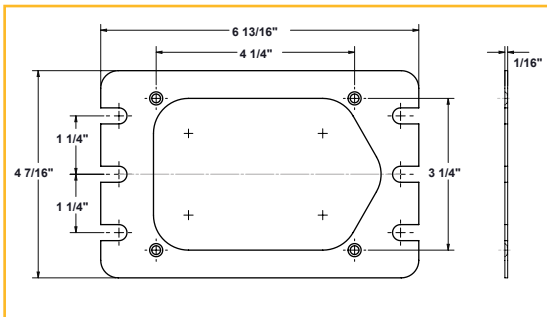
### 2614



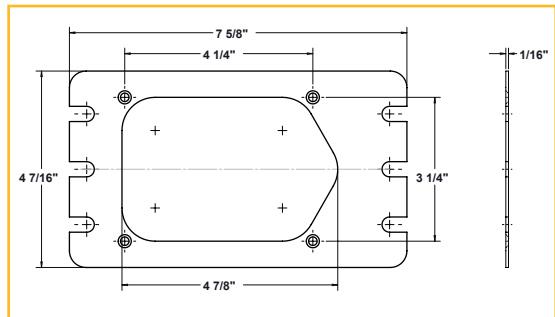
**Burner Manufacturer:** Brock

## Industrial Transformer Mounting Plates

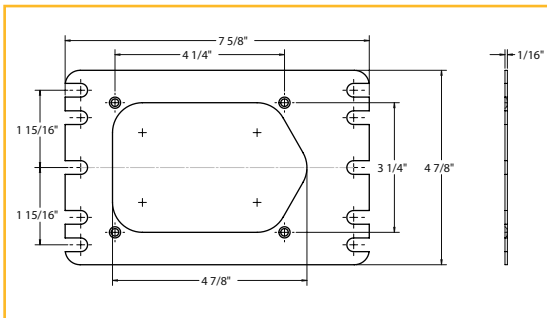
### 2500



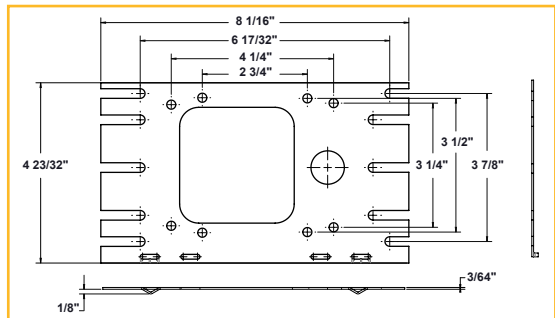
### 2501



### 2502



### 2567-01





## ULTRA VIOLET AIR TREATMENT SYSTEMS

Swordfish® UVC Air Purification Systems provide healthy indoor air quality, destroy airborne cold and flu-causing bacteria and viruses, and help alleviate allergy and asthma symptoms. Swordfish purifies indoor air by deactivating micro-organisms, while other air purifiers merely filter and trap them. Third party facilities confirmed a kill rate of 99.99% of the airborne micro-organisms. Allanson's 90+ years of designing and manufacturing power supplies enable us to provide optimal lamp performance.

### Features and Benefits of Swordfish® UVC Technology:

- Most powerful germ killing light on the market
- Lamps do not produce ozone
- Lamp Replacement Notification
- Green product (energy efficient ballast)
- Easy and affordable maintenance
- Plug in to 120 (115) Volt outlets



**UVA36WB**  
**UVA18WB**



**UVA36WLR**



**UVA18WLR**

Type	Name	Description
<b>UVA36WB</b>	Swordfish® UVC Whole Home Air Purification System	For homes up to 3500 sq. ft.
<b>UVA36WLR</b>	36 Watt Replacement Lamp	Replacement for UVA36WB
<b>UVA18WB</b>	Swordfish® UVC Whole Home Air Purification System	For homes up to 1500 sq. ft.
<b>UVA18WLR</b>	18 Watt Replacement Lamp	Replacement for UVA18WB and UVA1800RM
<b>UVA60WLR</b>	60 Watt Replacement Lamp	Replacement for UVA60WB





# Swordfish® UVC Whole Home Air Purification System



Hole Saw Included



- Safety feature designed to prevent accidental exposure to UVC light
- Built-in lamp replacement indicator
- Replace lamp once a year for optimal performance. Easy as changing a light bulb!

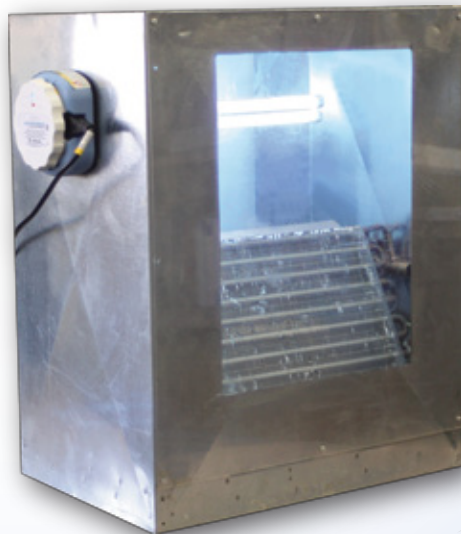
- Safely purifies entire home
- Swordfish lamps produce NO Ozone
- Install in less than 15 minutes
- Plugs into standard 120 V outlet
- 6 ft. power cord and 2" hole saw included

- Energy efficient electronic ballast
- Easily mounts to duct work of your existing warm air furnace to purify passing air
- Can also be installed above air conditioning coil to kill and control growth of mold

## Inside Ductwork



## Above AC Coil



Swordfish® UVC Air Purification

## Electronic Ignitor Contact Kit 54-740

**Includes:** Zinc Plated Buttons (2)  
Small Spring Contacts (2)  
Large Spring Contacts (2)  
Spring Clip Contacts (2)



### 54-741

**Zinc Plated Buttons**  
Description: Hardware Kit For Wayne/Aero  
Quantity: 6 Sets



### 54-743

**Small Spring Contact**  
Description: Hardware Kit For Wayne  
Quantity: 6 Sets



### 25-232

**Screws - Type B Flat**  
Quantity: 4



### 29-206

**Rajah Caps**  
Quantity: 2



### 27-599

**1/4" Female Rajah Connectors**  
Quantity: 1



### 29-294

**Hollow Threaded Rajah Stud**  
Quantity: 2



### 22-020

**Thumb Screw**  
Quantity: 2

## Electronic Ignitor Contact Kit 54-766

**Includes:** Zinc Plated Buttons (4)  
Large Spring Contacts (4)  
Spring Clip Contacts (2)



### 54-742

**Large Spring Contact**  
Description: Hardware Kit For Beckett  
Quantity: 6 Sets



### 54-744

**Spring Clip Contact**  
Description: Hardware Kit For Carlin  
Quantity: 6 Sets



### 25-409

**Weld Bolts**  
1/4 - 20 x 1"  
Description: Use on Service Replacement Transformers  
Quantity: 2



### 29-276

**Compression Cone Spring**  
Quantity: 2



### 29-295

**Double Threaded Stud**  
Quantity: 2



### GTO-C-18

**High Voltage Cable**  
Description: Silicon cable; 18" long; 25KVDC 250° C UR; 1/4" Female Rajah Connectors



### GTO-C-42

**High Voltage Cable**  
Description: Silicon cable; 42" long; 25KVDC 250° C UR; 1/4" Female Rajah Connectors





Model #	Input Supply Voltage* V	Sec KVpk	Secondary Voltage RMS	mA	Pri. A	Primary VA	Input Supply Frequency Hz	Secondary Frequency KHz	Storage Temperature °C	Operating Temperature °C	Operating Relative Humidity %	Loading Air Gap Inches
<b>ELECTRONIC OIL IGNITORS - Mid Point Ground</b>												
2270	12 Vdc	20	-	22	2.5	36	50/60	>18	-40 to +80	-30 to +40	90	1/16 - 3/16
2275	120	17.5	-	45	0.72	87	50/60	20	-40 to +80	-30 to +40	90	1/16 - 3/16
2280	240	17.5	-	45	0.38	87	50/60	20	-40 to +80	-30 to +40	90	1/16 - 3/16
<b>PRODUCTION TRANSFORMERS - Mid Point Ground</b>												
2721	120	-	10,000	23	2.08	250	60	-	-40 to +80	-30 to +40	90	1/8 - 3/16
2741	120	-	10,000	23	2.08	250	60	-	-40 to +80	-30 to +40	90	1/8 - 3/16
2729	220	-	10,000	23	1.14	250	50	-	-40 to +80	-30 to +40	90	1/8 - 3/16
2730	110	-	10,000	23	2.2	250	50	-	-40 to +80	-30 to +40	90	1/8 - 3/16
421	120	-	10,000	23	2.08	250	60	-	-40 to +80	-30 to +40	90	1/8 - 3/16
2744	240	-	10,000	23	1.04	250	60	-	-40 to +80	-30 to +40	90	1/8 - 3/16
444	240	-	10,000	23	1.04	250	60	-	-40 to +80	-30 to +40	90	1/8 - 3/16
911	240	-	10,000	23	1.04	250	50	-	-40 to +80	-30 to +40	90	1/8 - 3/16
912	120	-	10,000	23	2.08	250	50	-	-40 to +80	-30 to +40	90	1/8 - 3/16
2714	120	-	12,000	20	2.29	275	60	-	-40 to +80	-30 to +40	90	1/8 - 3/16
2742	220	-	12,000	20	1.14	250	50	-	-40 to +80	-30 to +40	90	1/8 - 3/16
<b>INDUSTRIAL GAS TRANSFORMERS - One End Ground</b>												
1092	120	-	6,000	25/20	2.08	250/180	50/60	-	-40 to +80	-30 to +40	90	1/16 - 1/8
1112	240	-	6,000	20	0.75	180	60	-	-40 to +80	-30 to +40	90	1/16 - 1/8
1196	240	-	6,000	20	0.75	180	50	-	-40 to +80	-30 to +40	90	1/16 - 1/8
542	120	-	10,000	23	2.2	265	60	-	-40 to +80	-30 to +40	90	1/16 - 1/8
<b>INDUSTRIAL GAS IGNITORS - Single Pole, One End Grounded</b>												
2260-TP	120	15.6	-	28	0.6	72	50/60	>20	-40 to +80	-30 to +40	90	1/16 - 1/8
2260-TW	120	15.6	-	28	0.6	72	50/60	>20	-40 to +80	-30 to +40	90	1/16 - 1/8
2260-P	120	15.6	-	28	0.6	72	50/60	>20	-40 to +80	-30 to +40	90	1/16 - 1/8
2260-TWG	120	15.6	-	28	0.6	72	50/60	>20	-40 to +80	-30 to +40	90	1/16 - 1/8
2265-TP	230	15.6	-	30	0.3	72	50/60	>20	-40 to +80	-30 to +40	90	1/16 - 1/8
2265-TW	230	15.6	-	30	0.3	72	50/60	>20	-40 to +80	-30 to +40	90	1/16 - 1/8
2265-P	230	15.6	-	30	0.3	72	50/60	>20	-40 to +80	-30 to +40	90	1/16 - 1/8
2265-TWG	230	15.6	-	30	0.3	72	50/60	>20	-40 to +80	-30 to +40	90	1/16 - 1/8

\*Input Supply Voltage (V) must be within 10% tolerance.

# Technical and Electrical Specifications

Burner Manufacturer	Allanson	Dongan	France	Webster	Sid Harvey	Thermolok
10,000 Volt Secondary Mid Point Ground 120 Volt						
ABC	2721-411	XD-AB207	5LAY-20	313-25AB59	T-84	C-792
ABC/SUNRAY	2721-631A	XD-AB201	5LAY-12	313-25AB86	T-29-15B	TSR-10
ABC-CRANE	2721-409	A10-SV351	LKR-2	313-25AB73	T-86	C-793
ABC-D&LC	2721-452		5LAY-11	313-25AB65	T-34-B	
ACME/QUIET HEET	421-104	A10-SR12	LGNV		T-31N	C-53
ACME/WEATHERALL	2721-457		LKE	3-25AB-AH	T-82	
AERO	2721-456	XD-AR211	5LAY-56	3-24AB-AER	T-87	TA-10
AERO/SUNRAY	421-104E			312-26AB022	T-29-10B	
ARCO/AMER. STANDARD	421-557 <small>(replaces 421-216)</small>					
ARCO/AMER. STANDARD	421-557	A10-SP18	LGHW	312-26ABE23	T-183B	C-483
ARMSTRONG/ESSO	421-340		LGPW-2	312-25ABE1	T-80-3M	
BARRIERE	421-254A					
BECKETT A, AF, AFG	2721-628G	XD-BK103	5LAY-04	3-28AB-BAF	T-92	TB-10
BECKETT AFII	2741-658			3-32AB-BAF		
BECKETT S	2721-605	XD-BK204	5LAY-05	313-28AB92/ 313-28AB-BS	T-90	TB-11
BROCK	2721-627		5LAY-57			
CARLIN 99, 100 CRD	2721-630	XD-CR205	5LAY-15	313-28AB85	T-94	TC-10
CARLIN 200, 201, 500 CRD	2721-629	XD-CR206	5LAY-16	313-24AB81	T-95	TC-11
CLEAN BURN	2721-654		5LAY-59			
CLEAVER BROOKS	421-659			312-8AO97/ 312-810169		
CONROY	421-558					
DELCO P-200	2721-222A	A10-SQ182	LKP	313-24AB68	T-24N	
DUCANE	421-430	XD-DC212	5LAY-06	313-25AB90		
GORDON PIATT	421-661			313-25AB100		
GRIMSBY	2721-589					
INDUSTRIAL COMBUSTION	421-660			312-8AO169		
JOHN WOOD	2721-069					
LENNOX	421-331	A10-S32		313-25AB62	T-265	C-823
METAL MASTER	421-262	A10-S32	LGM		T-28B	C-544
METRO	2721-368M					
NU-WAY (LARGE PLATE)	2721-448			313-24AB80	T-120	C-794
NU-WAY (SMALL PLATE)	2721-572			313-24AB82	T-122	C-807
POWER FLAME	421-655			312-25AB0418		
PVI INDUSTRIES	421-663					
REZNOR	2721-628G <small>(replaces 2721-667)</small>					
SUNRAY	421-104E			312-26AB022	T-29-10B	C-733
WAYNE	2721-637		5LAY-21	313-25AB49	T-50	
WAYNE (BLUE ANGEL)	2721-647	XD-WN209	5LAY-31	313-28AB205W/ 313-28ABWHS		T-89-10
WAYNE E	2721-620	XD-WN208	5LAY-30	313-25AB78	T-88	C-799
WAYNE HI SPEED M/MH	2721-619	XD-WN202	5LAY-03	313-28AB91	T-93	TW-10
WEBSTER ENGINEERING	421-664					
YORK SHIPLEY	421-095		LGEW-1	312-26ABE407	T-25B	
12,000 Volt Secondary Mid Point Ground 120 Volt						
BECKETT	2714-656			12-8AB16		
CARLIN	2714-633	A12-SV10	2KACVS-2	12-8AB7	T-12	
CLEAVER BROOKS	2714-359	A12-SJ10	2KACVS-1	12-8AO8		
GORDON PIATT	2714-662			12-8AB02		
POWER FLAME	2714-655			12-8AB11		



Burner Manufacturer	Allanson	Dongan	France	Webster	Sid Harvey	Thermolok
10,000 Volt Secondary Mid Point Ground 120 Volt - Less Mounting Plate Replacement Type						
UNIVERSAL 6 WAY	421-BT636	LJH-90	LAUV	312-25AX0600	T1-15	T-628
UNIVERSAL 5 WAY	421-BT384			312-25AX0500		
	421-BT066					
	421-BT104	A10-SR10	LGCV	312-24AB0237	T-31N	
	421-BT276	A10-SW10	LGEV	312-25AB0237	T-17FM	C-551
	421-BT290	A10-SQ10	LGDV	312-24AB0202	T-17N	C-554
	421-BT299	A10-SJ10	LFBV	312-25A0202	T-21M	
	421-BT332	A10-SV10	LGFV	312-25AB0202	T-17M	C-555
	421-BT387	A10-SF10	LFAV	312-24A0202	T-21N	
INDUSTRIAL GAS TYPE IGNITION TRANSFORMERS - 6,000 Volt Secondary One End Ground, 120 Volt, 50/60 Hz						
CLEAVER BROOKS	1092-H	A060SJ5		612-8A021		
GORDON PIATT	1092-S	GPA-06		612-6A020/ 612-6A072		
IRON FIREMAN, DUNHAM-BUSH	1092-K			612-8AB017		
BX CONNECTOR	1092-F	A06-SA6	6EEGW-2	612-6A7	T-246N	
NORTH AMERICAN	1092-NA			612-8A02		
POWER FLAME	1092-PF	PFA-06		612-6A056		
RAY BURNER	1092-N	A06-SD7	3RAFYR-14	613-6A10	T-193N	
WEBSTER (PRIMARY HAS 3 WIRES)	1092-SG					
INDUSTRIAL GAS/OIL TYPE IGNITION TRANSFORMERS 10,000 Volt Secondary One End Ground 120 Volt						
OIL APPLICATION	542-A	A10-LA22		312-6A0456		
CLEAVER BROOKS	542-H	A10-LN2X				
GORDON PIATT	542-GP			312-9A0456		
POWER FLAME	542-PF					

Burner Manufacturer	Allanson	Dongan	Beckett	France	Carlin	Sid Harvey
OMNI® IGNITOR	2275U		< NO UNIVERSAL AVAILABLE >			T96I
AERO	2275-456		51828U	10SAY-56	41000-SO-AR	T87E
BECKETT A, AF, AFG	2275-628G	SSI-BK103	51771U	10SAY-04	41000-SO-BK1	T92E (1)
BECKETT AFII	2275-658		51805U	10SAYL-70		T97E
BECKETT S	2275-605		51824U	10SAY-05	41000-SO-BK2	T90E
CARLIN 17.5, 200, 201, 500, 501, CRD	2275-629		51840U	10SAY-16	41000-SO-SC	T95E
CARLIN 99, 100, 101, CRD	2275-630	SSI-CR205	51826U	10SAY-15	41000-SO-CAS	T94E
CARLIN 601 & UP	2275-633		51880U		41000-SO-LC	
WAYNE HI SPEED M/MH	2275-619	SSI-WN202	51825U	10SAY-03	41000-SO-WA3	T93E
WAYNE E	2275-620	SSI-WN208	51827U	10SAY-30	41000-SO-WA2	T88E
WAYNE HS	2275-647		51836U	10SAY-31	41000-SO-WA1	T89-10E
WEIL MCLAIN	2275-653		51837U	10SAY-32	41000-SO-WM	T96E
IGNITOR KIT	2275-KIT1		51835	10SAY-KIT	41000-SO-KIT	T97K

## WARRANTY

Allanson agrees to correct any defects in material or workmanship which may develop in any oil burner or gas ignition transformer sold, when used under proper or normal conditions, during a period of 36 months, from the date of manufacture. Such correction may be by repair, replacement, or material credit at the company's discretion.

This warranty does not include shipping costs to and from the factory. This correction shall fulfill completely any and all obligations by Allanson intended or implied by this warranty. Allanson shall not be responsible for consequential damage or for labour involved in making a replacement.

---

### U.S.A

99 Adams Boulevard, East Farmingdale, New York, 11735  
cservice@allanson.com  
T: 1.631.293.3880 | F: 1.631.293.3470

### CANADA

83 Commerce Valley Drive East, Markham ON, L3T 7T3  
cservice@allanson.com  
T: 1.800.661.7251 | F: 1.416.752.6717

[www.allanson.com](http://www.allanson.com)

