

# Specifications Guide

## UVB Ballasts

### UVB50W-24V

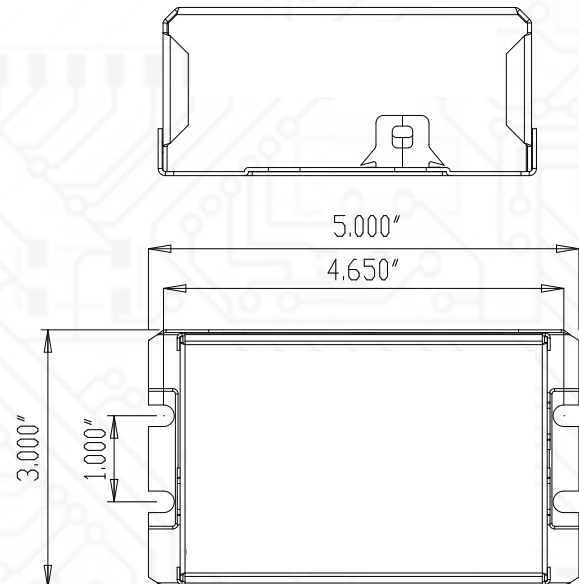
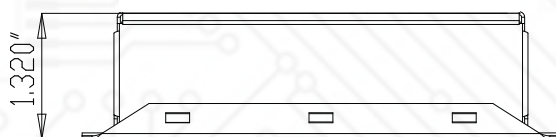
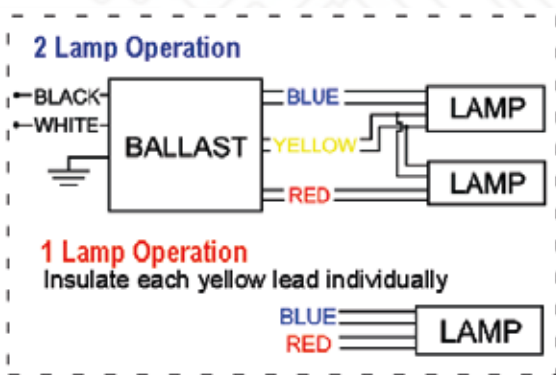
| Lamp Type /Catalog # | Manufacturer | Power (W) | Current (mA) |
|----------------------|--------------|-----------|--------------|
| ASIH1003 (17")       | Ultravation  | 24        | 400          |
| ASIH1001 (12")       | Ultravation  | 16        | 400          |
| TUV 25W 4P SE        | Philips      | 23        | 350          |
| GPH436T5VH/4         | Heraeus      | 21        | 400          |
| GPH436T5L            | First Light  | 25        | 450          |
| GPH463T5L/4          | Atlantic     | 23        | 425          |

### Ballast Specifications

**Ballast type:** Program Start (PS)  
**Number of lamps:** 1 or 2  
**Normal input voltage:** 24VAC, +/- 10%, 50/60 Hz  
**Input current:** 2.5A  
**Input power:** 50W @ full load  
**Operating frequency:** > 25kHz  
**Lamp current crest factor:** 1.7 or less  
**Approvals:** UL/cUL Listed, Class "P", Indoor, Type 1

**Power factor:** > 90% (with step down transformer)  
**Efficiency:** > 90%  
**Ballast shut down/protection:** EOL/OC  
**Ambient temperature:** 0-40°C  
**Case maximum temperature:** 75°C  
**Sound rating:** "A"  
**Weight:** 1.10 lbs

### Wiring Diagram and Dimensions



**Allanson**  
 LIGHTING TECHNOLOGIES

