

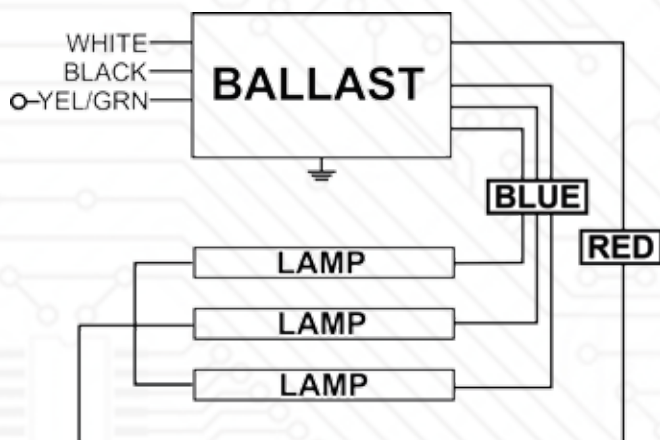
## UVB364T5-425-MV

Lamp Type /Catalog #	Manufacturer	Power (W)	Current (mA)
G67T5VH	Heraeus	78	380
G37T5VH	Heraeus	48	360
GPH1630T5VH	Light Sources	79	425
GPH1148T5VH	Light Sources	55	425
TUV64T5 HE	Philips	75	425
TUV36T5 HE	Philips	40	425
G64T5VH	Atlantic UV	65	425

### Ballast Specifications

<b>Ballast type:</b>	Instant Start (IS)	<b>Lamp current crest factor:</b>	1.7 or less
<b>Number of lamps:</b>	1 to 3	<b>Power factor:</b>	> 95%
<b>Normal input voltage:</b>	120-240V, +/-10%, 50/60 Hz	<b>Efficiency:</b>	> 90%
<b>Input current:</b>	2.15A(120V)/1.10A(240V)	<b>Statue indication/alarm:</b>	LEDs, Relay contact (24VDC, 500mA)
<b>Input power:</b>	250W @ full load	<b>Sound rating:</b>	"A"
<b>Operating frequency:</b>	> 25kHz	<b>Weight:</b>	2.05 lbs
<b>Approvals:</b>	UL/cUL Recognized, Class "P", Indoor		

### Wiring Diagram and Dimensions



Dimensions: 10.0"(L) x 4.7"(W) x 2.25"(H)



Diagnostic LEDs on both remote diagnostic PCB, and main ballast board, and also dry contact for sensing, and alarming both ballast/lamp operation, and failure.



**Allanson**  
LIGHTING TECHNOLOGIES



83 Commerce Valley Drive East, Markham, ON L3T 7T3 Canada

www.allanson.com | cservice@allanson.com | T: 1.800.668.9162 | F: 416.752.6717