

Specifications Sheet

UV Ballasts

UVB324T6-2100-24VDC

1. Lamp Type

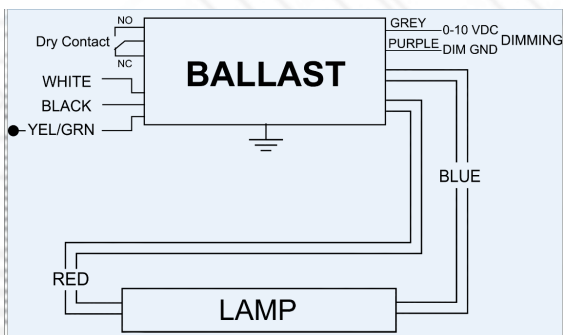
Amalgam Lamp

Lamp Type / Cata #	Manufacture	# of Lamps	Power (W)	Current (A)
GPHHA508T6L/4P	Light Sources	3	92	2.1

2. Electrical

Ballast type:	Program Start (PS)
Number of lamps:	3
Normal input voltage:	24VDC, +/- 10%
Input current:	15.0A @ 24VDC
Input power:	360W @ full load
Lamp operating frequency:	> 30 kHz
Efficiency:	> 90%
Ballast shut down/protection:	EOL/OC
Ambient temperature:	0 - 40° C
Case maximum temperature:	75° C
Approvals:	UL/cUL Recognized, Class "P", Indoor, Type 1, CE
Sound rating:	"A"

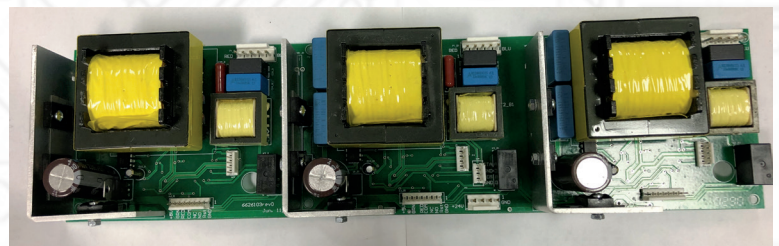
3. Wiring Diagram



For 1 UV Amalgam Lamp

4. Ballast PCB Photo

PCB Dimesions: 14.0" (L) x 3.6" (W) x 1.85" (H)



For 3 UV Amalgam Lamps



Allanson
LIGHTING TECHNOLOGIES

83 Commerce Valley Drive East, Markham ON, L3T 7T3
www.allanson.com | cservice@allanson.com | T: 1.800.661.7251 | F: 416.752.6717