

UVB264T5-800-MV

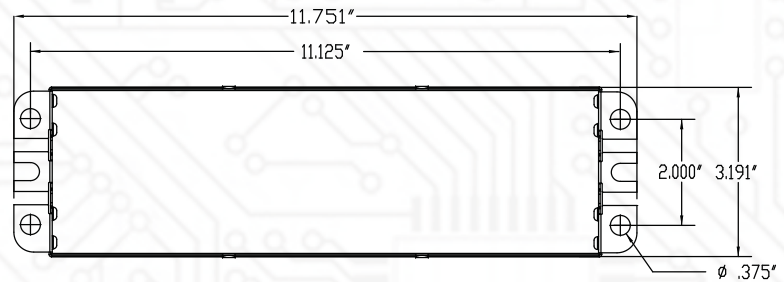
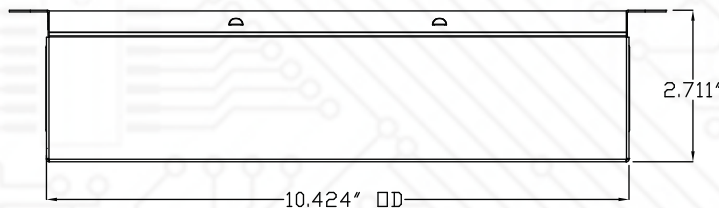
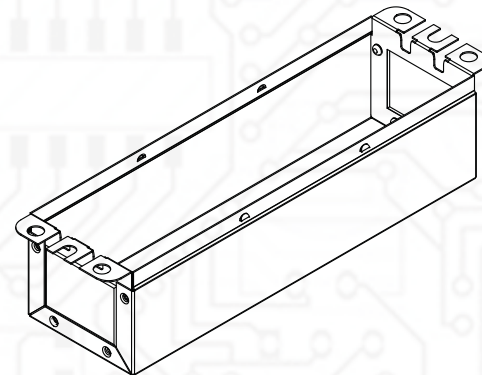
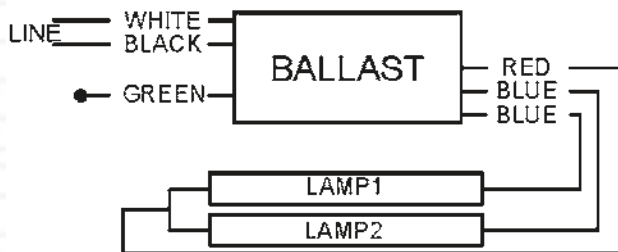
Lamp Type / Catalog #	Manufacturer	Power (W)	Current (mA)
G64T5L/HO	First Light	145	800
G36T5L/HO	First Light	75	800
GHO64T5L	Light Sources	155	800
GHO36T5L	Light Sources	87	800
TUV64T5HO	Philips	145	800
TUV36T5HO	Philips	75	800
G64T5HO	Atlantic UV	145	800

Ballast Specifications

Ballast type: Instant Start (IS)
Number of lamps: 2
Normal input voltage: 120-277V, +/- 10%, 50/60 Hz
Input current: 2.60A(120V)/1.25A(277V)
Input current THD: < 10%
Input power: 290W @ full load
Approvals: UL/cUL Listed, Class "P", Outdoor, Type 1

Operating frequency: > 25kHz
Lamp current crest factor: 1.7 or less
Power factor: > 95%
Efficiency: > 90%
Ambient temperature: 0-45°C
Case maximum temperature: 75°C
Sound rating: "A"
Weight: 6.55 lbs

Wiring Diagram and Dimensions



Allanson
 LIGHTING TECHNOLOGIES

