

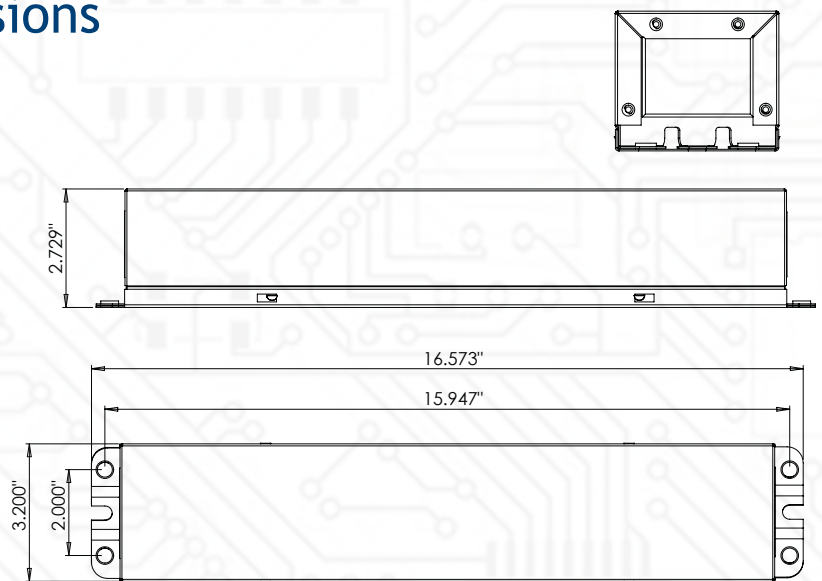
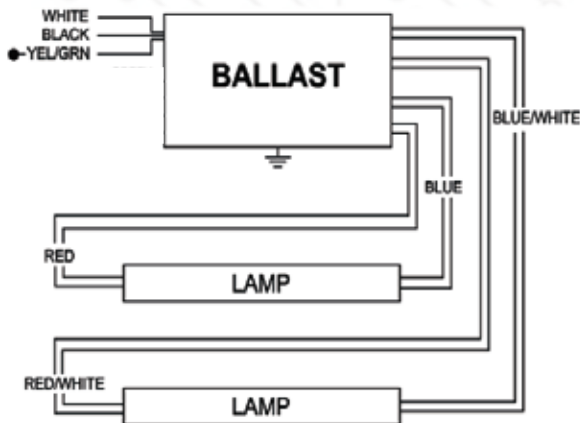
### UVB248T6-2200-MV

Amalgam	Lamp Type /Catalog #	Manufacturer	Power (W)	Current (A)
	NNI 200/108	Heraeus	165	2.2
	NNI 80/61	Heraeus	120	1.8
	NIQ 170/90	Heraeus	140	2
	NIQ 200/120	Heraeus	210	1.85
	TUV180W XPT	Philips	180	2.1
	TUV200W XPT	Philips	200	2.1
	GPHHA1004T6L	Light Sources	210	2

### Ballast Specifications

<b>Ballast type:</b>	Program Start (PS)	<b>Operating frequency:</b>	> 25kHz
<b>Number of lamps:</b>	2	<b>Lamp current crest factor:</b>	1.7 or less
<b>Normal input voltage:</b>	120-240V, +/-10%, 50/60 Hz	<b>Power factor:</b>	> 95%
<b>Input current:</b>	3.6A(120V)/1.80A(240V)	<b>Efficiency:</b>	> 90%
<b>Input current THD:</b>	< 10%	<b>Ambient temperature:</b>	0-40°C
<b>Input power:</b>	430W @ full load	<b>Case maximum temperature:</b>	75°C
<b>Approvals:</b>	UL/cUL Listed, Class "P", Outdoor, Type 1	<b>Sound rating:</b>	"A"
		<b>Weight:</b>	8.75 lbs

### Wiring Diagram and Dimensions



**Allanson**  
LIGHTING TECHNOLOGIES

