

# Specifications Guide

## UVB Ballasts

### UVB248T5-425-MV

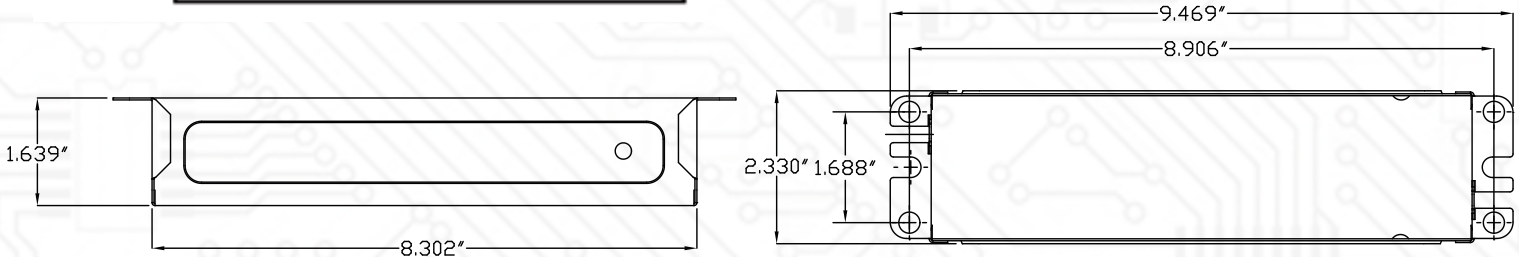
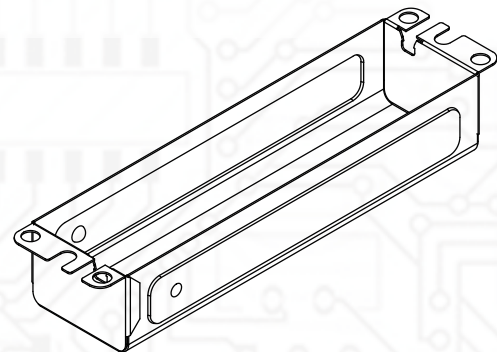
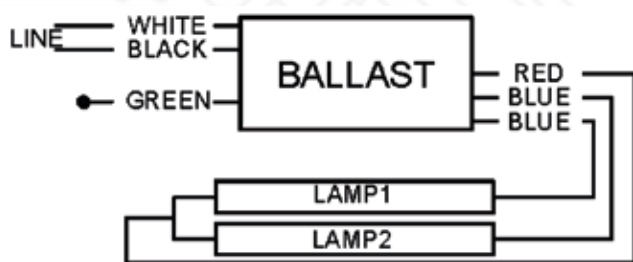
Lamp Type /Catalog #	Manufacturer	Power (W)	Current (mA)
G48T5L	First Light	55	425
G36T5L	First Light	41	425
GPH843T5VH	Light Sources	41	425
GPH1148T5VH	Light Sources	55	425
GPH793T5VH	Heraeus	38	425
G36T5VH	Heraeus	41	4258

### Ballast Specifications

**Ballast type:** Instant Start (IS)  
**Number of lamps:** 2  
**Normal input voltage:** 120-277V, +/-10%, 50/60 Hz  
**Input current:** 1.10A(120V)/0.50A(277V)  
**Input current THD:** < 10%  
**Input power:** 128W @ full load  
**Approvals:** UL/cUL Listed,  
 Class "P", Indoor, Type 1

**Operating frequency:** > 20kHz  
**Lamp current crest factor:** 1.7 or less  
**Power factor:** > 95%  
**Efficiency:** > 90%  
**Ambient temperature:** 0-40°C  
**Case maximum temperature:** 75°C  
**Sound rating:** "A"  
**Weight:** 2.55 lbs

### Wiring Diagram and Dimensions



**Allanson**  
 LIGHTING TECHNOLOGIES

