

Specifications Sheet

UV Ballasts

UVB180WHO-120-277V

1. Lamp Type

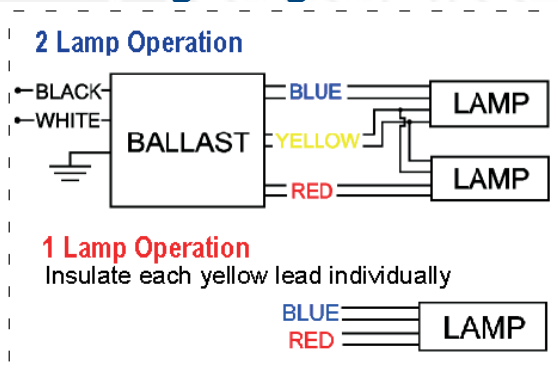
Lamp Type / Cata #	Manufacture	# of Lamps	Power (W)	Current (mA)
TUV PL-L95W/HO	Philips	1 - 2	90	800
GPH846T5 HO	Light Sources	1 - 2	90	800
TUV PL-L60W/HO	Philips	1 - 2	60	680
TUV64T5HO 4P-SE	Philips	1	145	800

2. Electrical

Ballast type:	Program Start (PS)
Number of lamps:	1 or 2
Normal input voltage:	120-277V, +/- 10%, 50-60 Hz
Input current:	1.50A (120V) / 0.70A (277V)
Input current THD:	< 10%
Input power:	180W @ full load
Operating frequency:	> 25 kHz
Lamp current crest factor:	1.7 or less

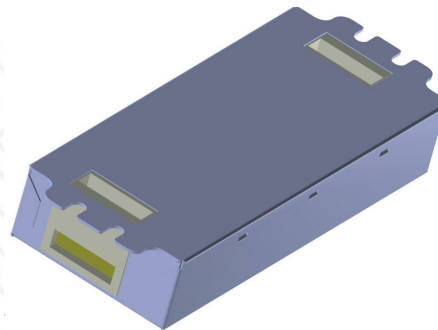
Power factor:	> 95%
Efficiency:	> 90%
Ballast shut down/protection:	EOL/OC
Ambient temperature:	0 - 40° C
Case maximum temperature:	75° C
Approvals:	UL/cUL Listed, Class "P", Indoor, Type 1, CE "A"
Sound rating:	

3. Wiring Diagram



4. Mechanical Data

Dimensions: 8.0" (L) x 3.0" (W) x 1.40" (H)



5. Features

Terminals are available for external LED to show lamp status: Purple (+), Grey (-); 2.5V.



Allanson
LIGHTING TECHNOLOGIES

83 Commerce Valley Drive East, Markham ON, L3T 7T3
www.allanson.com | cservice@allanson.com | T: 1.800.661.7251 | F: 416.752.6717