

Specifications Guide

UVB Ballasts

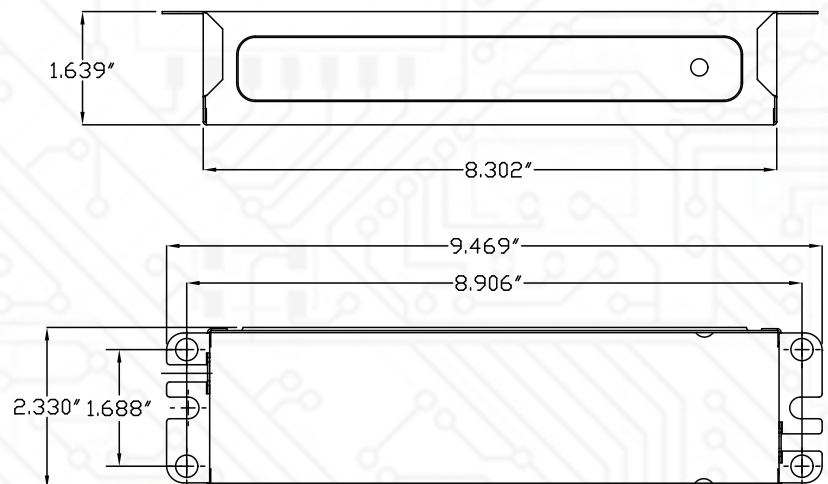
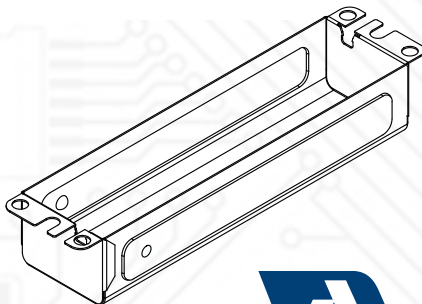
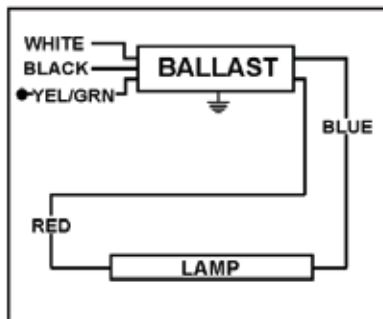
UVB164T5-425-MV

Lamp Type /Catalog #	Manufacturer	Power (W)	Current (mA)
G64T5L	First Light	75	425
G36T5L	First Light	45	425
GPH1554T5VH	Light Sources	75	425
GPH1148T5VH	Light Sources	55	425
GPH1630T5VH	Heraeus	79	425
G36T5VH	Heraeus	41	425

Ballast Specifications

Ballast type:	Instant start (IS)	Operating frequency:	> 20kHz
Number of lamps:	1	Lamp current crest factor:	1.7 or less
Normal input voltage:	120-277V, +/-10%, 50/60 Hz	Power factor:	> 95%
Input current:	0.90A(120V)/0.45A(277V)	Efficiency:	> 90%
Input current THD:	< 10%	Ambient temperature:	0-40°C
Input power:	105W @ full load	Case maximum temperature:	75°C
Approvals:	UL/cUL Listed, Class "P", Indoor, Type 1	Sound rating:	"A"
		Weight:	2.55 lbs

Wiring Diagram and Dimensions



Allanson
LIGHTING TECHNOLOGIES

