

Specifications Guide

UVB Ballasts

UVB160WHO-120-277V

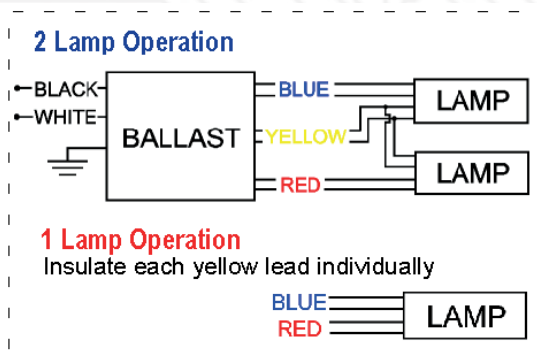
Lamp Type /Catalog #	Manufacturer	# of Lamps	Power (W)	Current (A)
TUV 75W HO (T8)	Philips	1-2	75	840
TUV64T5HO	Philips	1	145	800
TUV PL-L60W /HO	Philips	1-2	60	680
TUV36T5HO 4P-SE	Philips	1-2	75	800
TUV PL-L95W /HO	Philips	1	95	800

Ballast Specifications

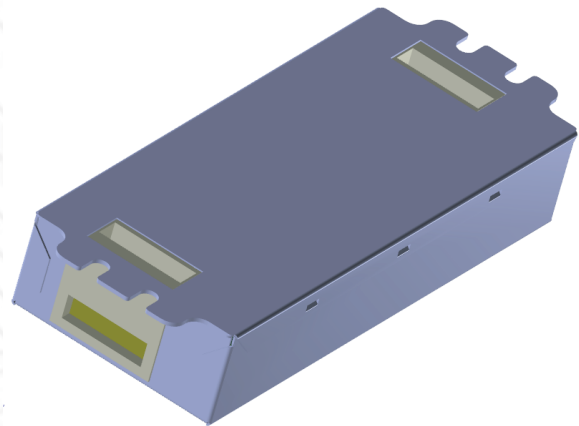
Ballast type: Program Start (PS)
Number of lamps: 1 or 2
Normal input voltage: 120-277V, +/-10%, 50/60 Hz
Input current: 1.35A(120V)/0.64A(277V)
Input current THD: < 10%
Input power: 160W @ full load
Power factor: > 95%
Approvals: UL/cUL Listed, Class "P",
Indoor, Type 1, CE

Operating frequency: > 25kHz
Lamp current crest factor: 1.7 or less
Efficiency: > 90%
Ambient temperature: 0-40°C
Case maximum temperature: 75°C
Ballast shut down/Protection: EOL/OC
Sound rating: "A"
Weight: ? lbs

Wiring Diagram and Dimensions



Dimensions: 8.0" (L) x 3.0" (W) x 1.40" (H)



Allanson
LIGHTING TECHNOLOGIES

