

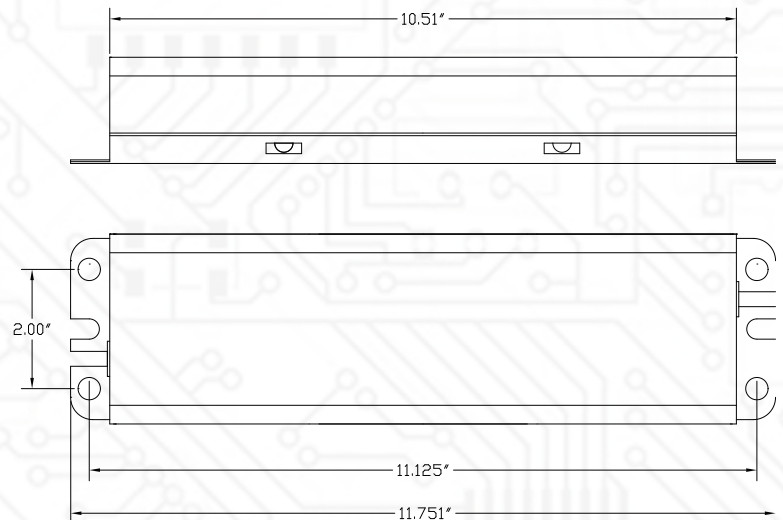
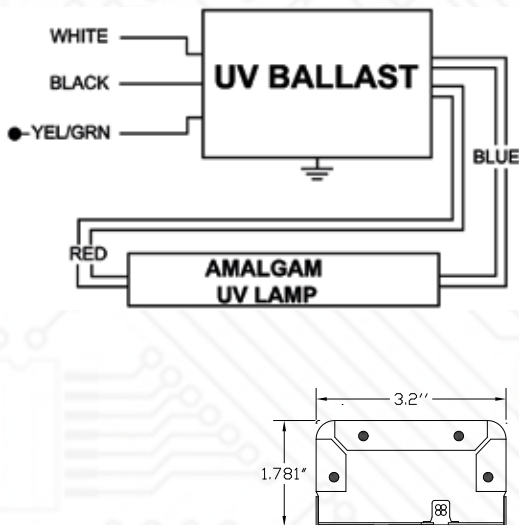
UVB148T6-2200-MV

Amalgam	Lamp Type /Catalog #	Manufacturer	Power (W)	Current (A)
	NNI 200/108	Heraeus	165	2.2
	NNI 80/61	Heraeus	120	1.8
	NIQ 170/90	Heraeus	140	2.0
	NIQ 200/120	Heraeus	210	1.9
	TUV180W XPT	Philips	180	2.1
	TUV200W XPT	Philips	200	2.1
	GPHHA1004T6L	Light Sources	210	2.0

Ballast Specifications

Ballast type:	Program Start (PS)	Operating frequency:	> 25kHz
Number of lamps:	1	Lamp current crest factor:	1.7 or less
Normal input voltage:	120-240V, +/-10%, 50/60 Hz	Power factor:	> 95%
Input current:	1.75A(120V)/0.90A(240V)	Efficiency:	> 90%
Input current THD:	< 10%	Ambient temperature:	0-40°C
Input power:	220W @ full load	Case maximum temperature:	75°C
Approvals:	UL/cUL Listed, Class "P", Outdoor, Type 1	Sound rating:	"A"
		Weight:	5.20 lbs

Wiring Diagram and Dimensions



Allanson
LIGHTING TECHNOLOGIES

