

Specifications Guide

UVB Ballasts

UVB120WHO-120-240V

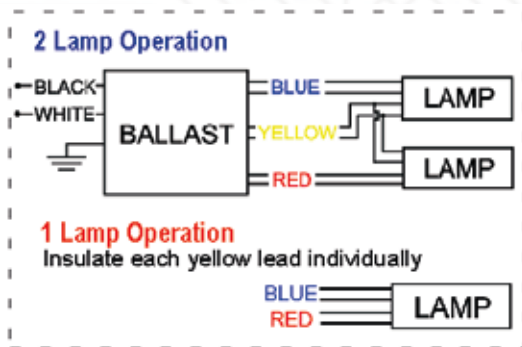
Lamp Type /Catalog #	Manufacturer	# of Lamps	Power (W)	Current (A)
CHS-120WH	Light Progress	1	120	800
CHS-90WH	Light Progress	1	90	800
CHS-60WH	Light Progress	2	60	800
GTD40" VO	Steril-Aire	1	110	800
GTS36" VO	Steril-Aire	1	85	800
GTS24" VO	Steril-Aire	2	60	800
TUV PL-L95W/HO	Philips	1	95	800
TUV PL-L60W/HO	Philips	2	60	800

Ballast Specifications

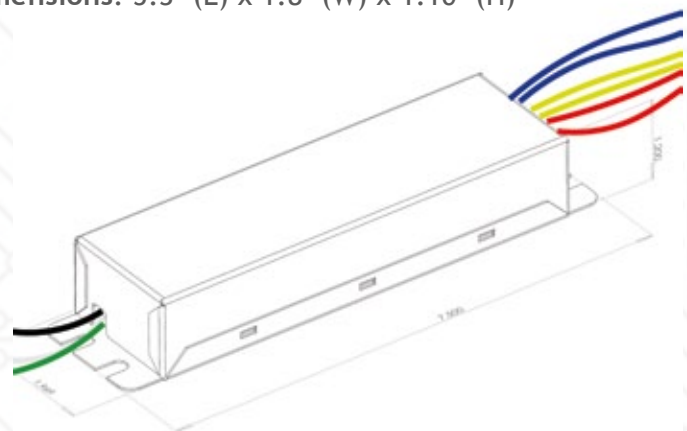
Ballast type: Program Start (PS)
Number of lamps: 1-2
Normal input voltage: 120-240V, +/-10%, 50/60 Hz
Input current: 1.05A(120V)/0.53A(240V)
Input power: 125W @ full load
Power factor: > 95%
Output current: 800 mA
Approvals: UL Listed, Class "P",
Indoor, Type 1

Operating frequency: > 30kHz
Lamp current crest factor: 1.7 or less
Efficiency: > 90%
Ambient temperature: 0-40°C
Case maximum temperature: 75°C
Striking/Ignition voltage: 1500 volt
Filament preheat time: 1.5-2.0 seconds
Ballast shut down/Protection: EOL/OC
EMI requirements: Meet FCC Part 18
Weight: 0.80 lbs

Wiring Diagram and Dimensions



Dimensions: 5.3" (L) x 1.8" (W) x 1.10" (H)



Allanson
LIGHTING TECHNOLOGIES

