

# Specifications Sheet

## UV Ballasts

### UVB120T6-1800-MV

#### 1. Lamp Type

##### Amalgam Lamp

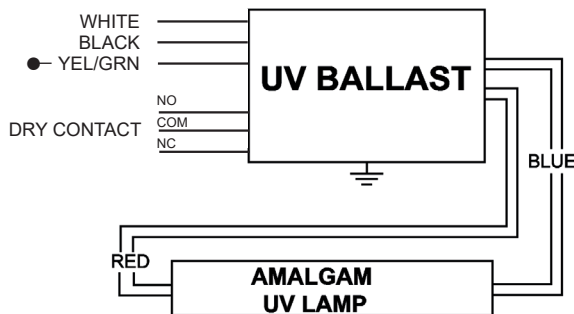
Lamp Type / Cata #	Manufacture	# of Lamps	Power (W)	Current (A)
GPHA357T6L	Light Sources	1	57	1.8
GPHA508T6L	Light Sources	1	80	1.8

#### 2. Electrical

<b>Ballast type:</b>	Program Start (PS)
<b>Number of lamps:</b>	1
<b>Normal input voltage:</b>	120-240V, +/- 10%, 50-60 Hz
<b>Input current:</b>	0.66A (120V) / 0.33A (240V)
<b>Input current THD:</b>	< 10%
<b>Input power:</b>	80W @ full load
<b>Output lamp current:</b>	1800 mA
<b>Operating frequency:</b>	> 25 kHz

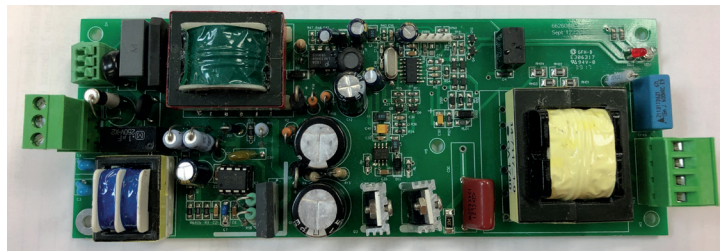
<b>Lamp current crest factor:</b>	1.7 or less
<b>Power factor:</b>	> 95%
<b>Efficiency:</b>	> 90%
<b>Ballast shut down/protection:</b>	EOL/OC
<b>Ambient temperature:</b>	0 - 40° C
<b>Case maximum temperature:</b>	75° C
<b>Approvals:</b>	UL/cUL Listed, Class "P", Indoor, Type 1, CE "A"
<b>Sound rating:</b>	"A"

#### 3. Wiring Diagram



#### 4. Mechanical Data

Dimensions: 8.0" (L) x 3.0" (W) x 1.40" (H)



#### 5. Features

Red, and blue diagnostic LEDs, and dry contact for sensing, and alarming both ballast/lamp operation, and failure.



**Allanson**  
LIGHTING TECHNOLOGIES