

UVB664T5-425-MV

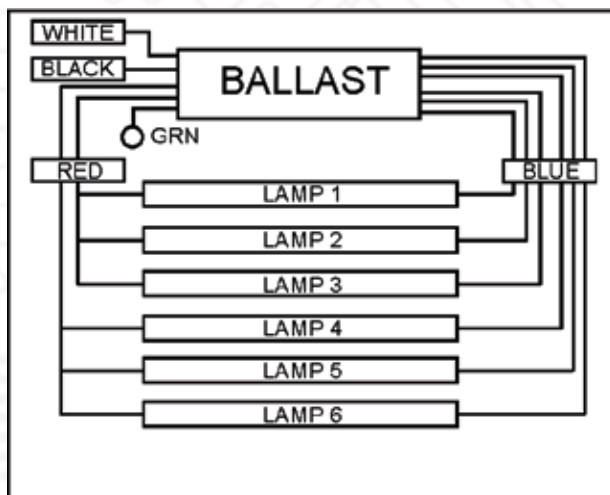
Lamp Type /Catalog #	Manufacturer	Power (W)	Current (mA)
G67T5VH	Heraeus	78	380
G37T5VH	Heraeus	48	360
GPH1630T5VH	Light Sources	79	425
GPH1148T5VH	Light Sources	55	425
TUV64T5 HE	Philips	75	425
TUV36T5 HE	Philips	40	425
G64T5VH	Atlantic UV	65	425

Ballast Specifications

Ballast type: Instant Start (IS)
Number of lamps: 4 to 6
Normal input voltage: 120-240V, +/-10%, 50/60 Hz
Input current: 4.30A(120V)/2.15A(240V)
Input power: 500W @ full load
Operating frequency: > 25kHz
Approvals: UL/cUL Recognized, Class "P", Indoor

Lamp current crest factor: 1.7 or less
Power factor: > 95%
Efficiency: > 90%
Status indication/alarm: LEDs, Relay contact (24VDC, 500mA)
Sound rating: "A"
Weight: 3.62 lbs

Wiring Diagram and Dimensions



Dimensions: 14.0"(L) x 7.0"(W) x 2.25"(H)



Diagnostic LEDs on both remote diagnostic PCB, and main board, and also dry contact for sensing, and alarming both ballast/lamp operation, and failure.



Allanson
LIGHTING TECHNOLOGIES

