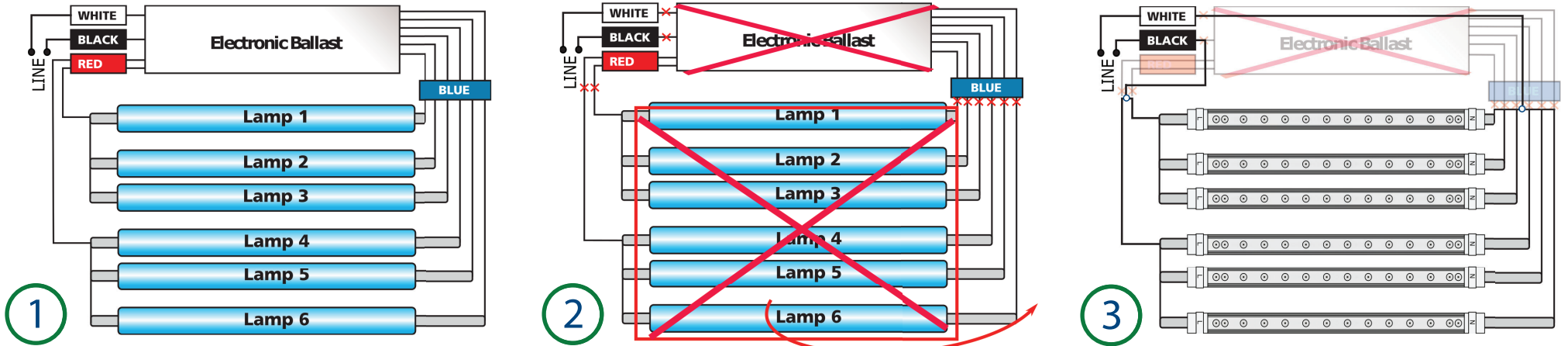


WIRING DIAGRAM- ASPL-XXCW-DSMV

This document is complimentary to the SpeedLamp Instruction Manual (#21-322) and must be referenced after reading the manual. **IMPORTANT:** There should be **NO Power** ever to the lampholders for any reason during installation!

AC Primary Voltage: 120-277V

Parallel Connection Wiring Diagram (For retrofitting of signs with Instant-Start Ballast)



Series Connection Wiring Diagram (For retrofitting of signs with Rapid-Start Ballast)

