

Overview

Discover the vivid hues and slim aesthetics of neon lighting through Allanson's 6mm LED Flexible Border Tubing. With vibrant colors and a remarkably slender profile, these advanced tubes redefine lighting standards. Its outstanding flexibility effortlessly conforms to various contours and desired shapes, ensuring a hassle-free installation for any application.



Where to Buy

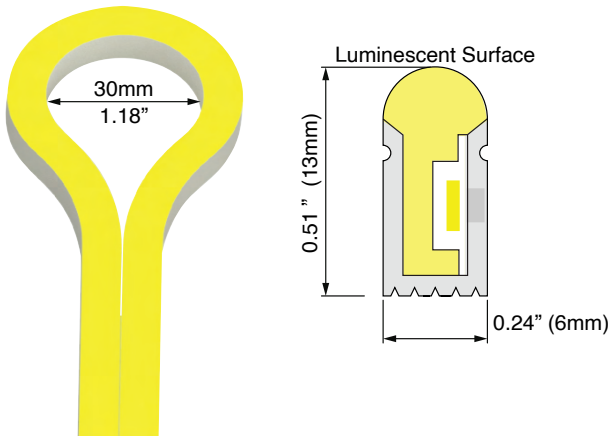


Features

- 6mm ultra-slim side-bendable tubing
- 11 static colors available
- Colored jacket that's visible even when powered off
- Consistent and uniform light output
- Easy installation

Dimensions

Bending Diameter need to be more than 30mm/1.18".



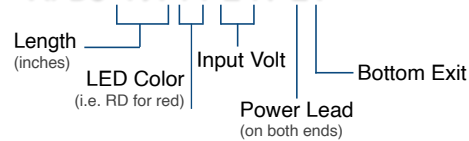
Specifications

Operating Temperature.....	-30°C ~ 50°C (-22°F ~ 122°F)
Protection Class.....	IP65 outdoor rated
Voltage.....	24VDC
Rated Power.....	10W/M (10W/3.28')
Colors.....	Red (RD), Green (GR), Blue (BL), Purple (PU), Baby Blue (BB), Orange (OR), Pink (PI), Yellow (YL), Coral (CO), Warm White 4000K (WW), Cool White 6000K (CW)
Cut Increments.....	Free cut*
Packaging.....	1m, 2.5m and 5m roll (3.28', 8.2' and 16.4')
Warranty.....	3 Years
Part Number.....	AFB6-XXXYY-24V A B

AFB6-039YY-24V 21 — 1m Roll (3.28')

AFB6-098YY-24V 21 — 2.5m Roll (8.2')

AFB6-197YY-24V 21 — 5m Roll (16.4')



Power Supplies Loading

	Power Supply Part number	Output Watts	Input Voltage	Output Volts DC	Max. Capacity
24V	CV244-120-277	96W	120-277	24	31.49' (9.6m)
	CVW244-120-277**	96W	120-277	24	31.49' (9.6m)
	CVW2244-120-277**	192W (96 + 96)	120-277	24	31.49' (9.6m) + 31.49' (9.6m)
	CVW3244-120-277**	288W (96 + 96 + 96)	120-277	24	31.49' (9.6m) + 31.49' (9.6m) + 31.49' (9.6m)

*Cut Intervals (9.1mm) / (0.35")

**IP68 Rated



Mounting Hardware and Accessories



PLASTIC CLIP
07-979



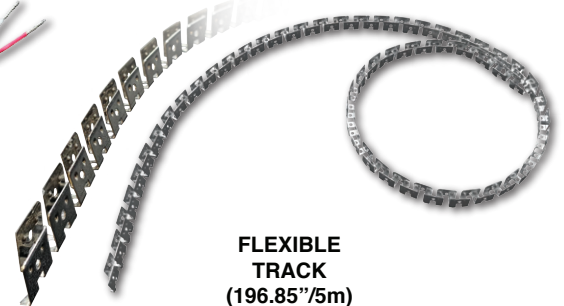
ALUMINUM CLIP
07-978



ALUMINUM TRACK
(39.37"/1m)
07-986



PIGTAIL WIRE
33-666



FLEXIBLE TRACK
(196.85"/5m)
07-987



END CAP NO EXIT
29-347A



END CAP SIDE EXIT (R)
29-347B



END CAP STRAIGHT EXIT
29-347C



END CAP SIDE EXIT (L)
29-347D



END CAP BOTTOM EXIT
29-347E

Warning



1. Follow bending instruction as shown in dimensions.



2. Do not twist the tube. This will damage the PCB.

3. This product adopts low-voltage DC power-supply. It must be used with a class 2 power supply. It is dangerous to connect the product directly with AC main voltage, this will short circuit the product and may cause electrical shock.



Watch Demo

For all your population layout services, please send files to led@allanson.com (acceptable file types include .ai, .eps, .dwg, or .dxf)

