



# ARBT - RGB

SkyLine LED Rigid Border Tube Installation Instruction



## ARBT - RGB

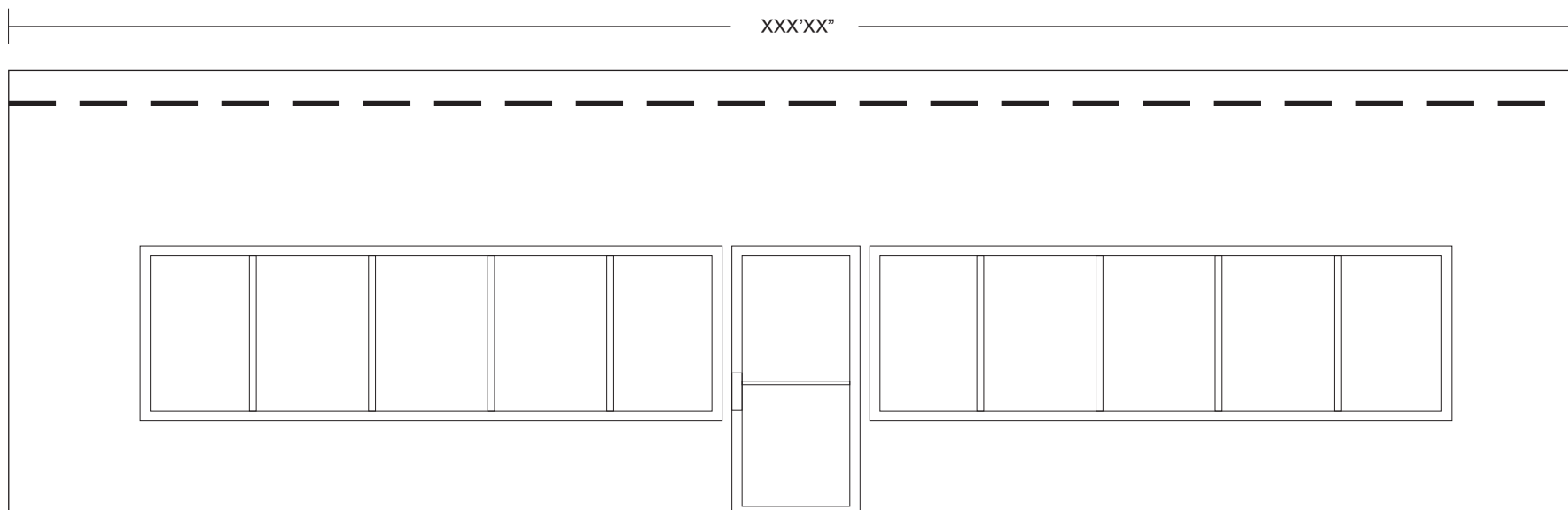
SkyLine LED Rigid Border Tube  
Installation Instruction



cservice@allanson.com | 1.800.661.7251 | www.allanson.com  
Information in this manual is subject to change without prior notice

## Project Planning and Preparation(s)

What you will need for parts and pieces...

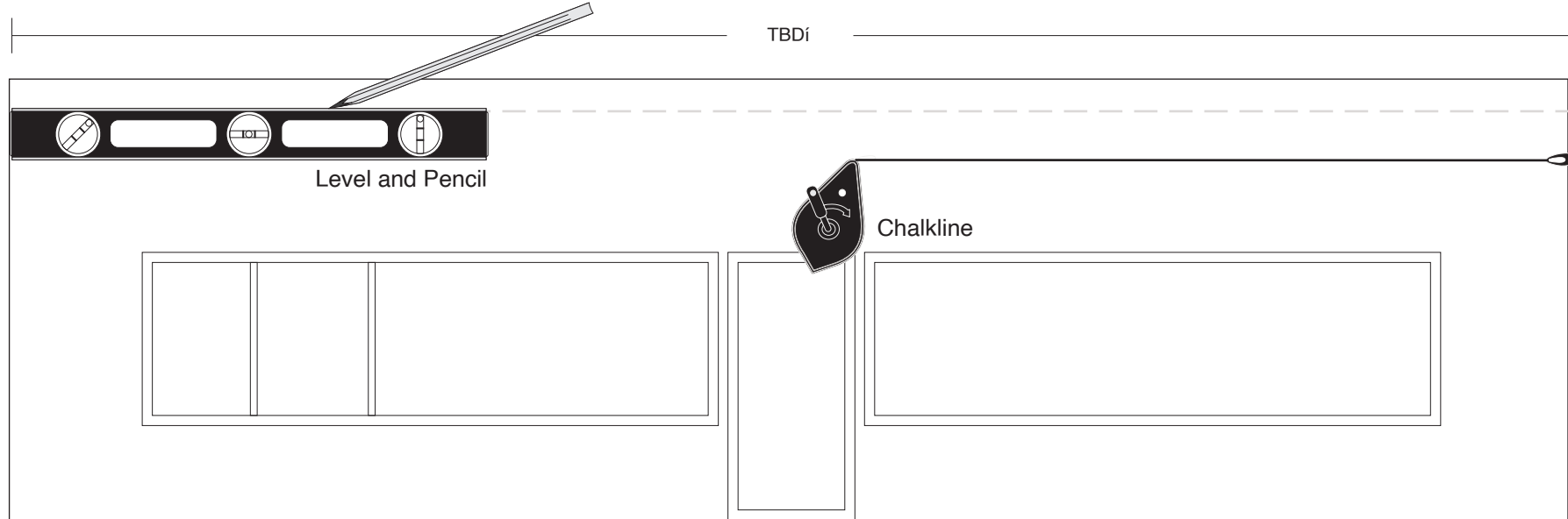


**Step One:** Take a linear measurement of the overall length of the portion of the building where you plan to install the border tube(s).

**Step Two:** Divide the overall length by the best stock sized tube(s) to achieve the most esthetically appealing installation. For example if this building was 37' long the optimal sized tube would be ARBT-74-RGB meaning that the tube is 74" long and White when not lit. Based on that you would specify (6) of this unit P/N to complete the project with the least amount of seams.

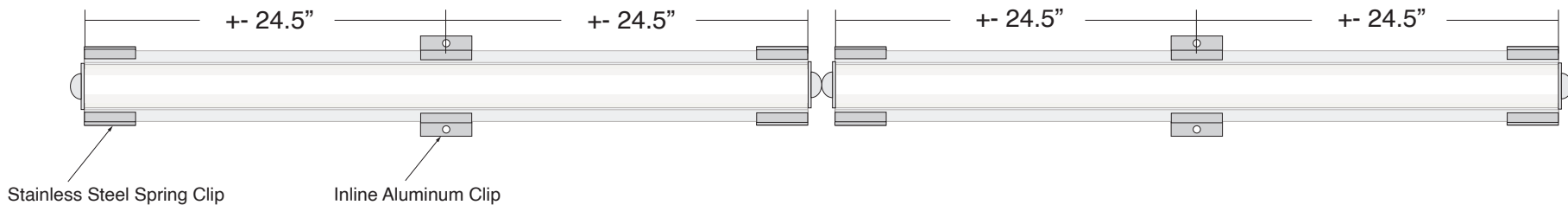
## Project Planning Laying Out the Installation:

Where you will apply the border tubes and proven methods for layout.



**Step Three:** Using a Level or a Chalk line make a line across the entire length of the installation This will ensure that each tube applied will stay on the same level plane.

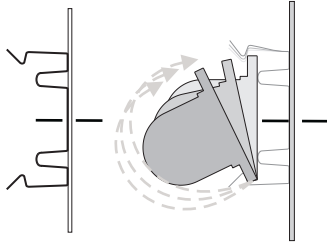
**Step Four:** After you have determined how many mounting clips you will need, install them spaced according to the length of the specified tube(s), spacing them + or - 24.5" on center. for pieces less than 26" long you will install the fixture using one spring clip on each end.



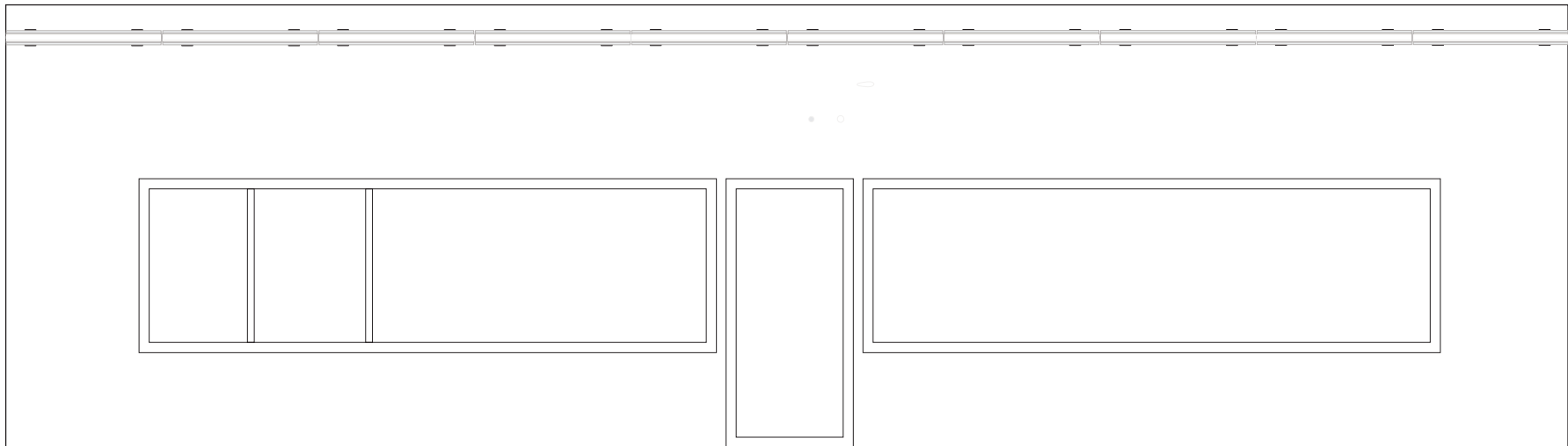
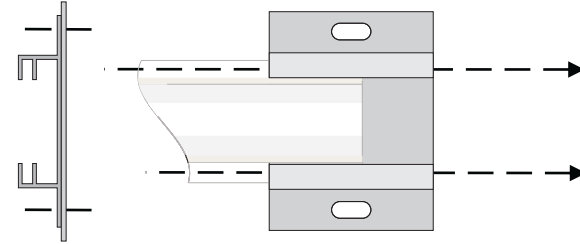
## Project Installation and Wiring:

**Note:** All electrical connections must be completed by qualified person(s) and in accordance to local electrical codes.

Stainless Steel Clip



Aluminum Slide Clip



**Step Five:** Install the border tubes beginning at an end while making sure not to compress the soft end caps leaving a minimum of 1/4" between each fixture, thus allowing for normal expansion and contraction.

**Step Six:** Make all electrical connections based on the manufacturers' recommendations and test lighting. Finish all connections and apply primary power and verify all tubes are lighting.

**Tools Needed and Caution for Installation**



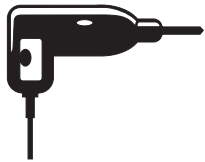
**Level**



**Tape Measure**



**Chalk Line**



**Drill / Hammer Drill**



**Linemen's Plier**



**Philips / Robertson Head Screwdriver**



This product **cannot be field cut**. Custom lengths are provided by the factory, cutting will **Void Warranty**



**Do Not Drill** through the mounting flange or any part of the fixture for any reason it will **Void Warranty**



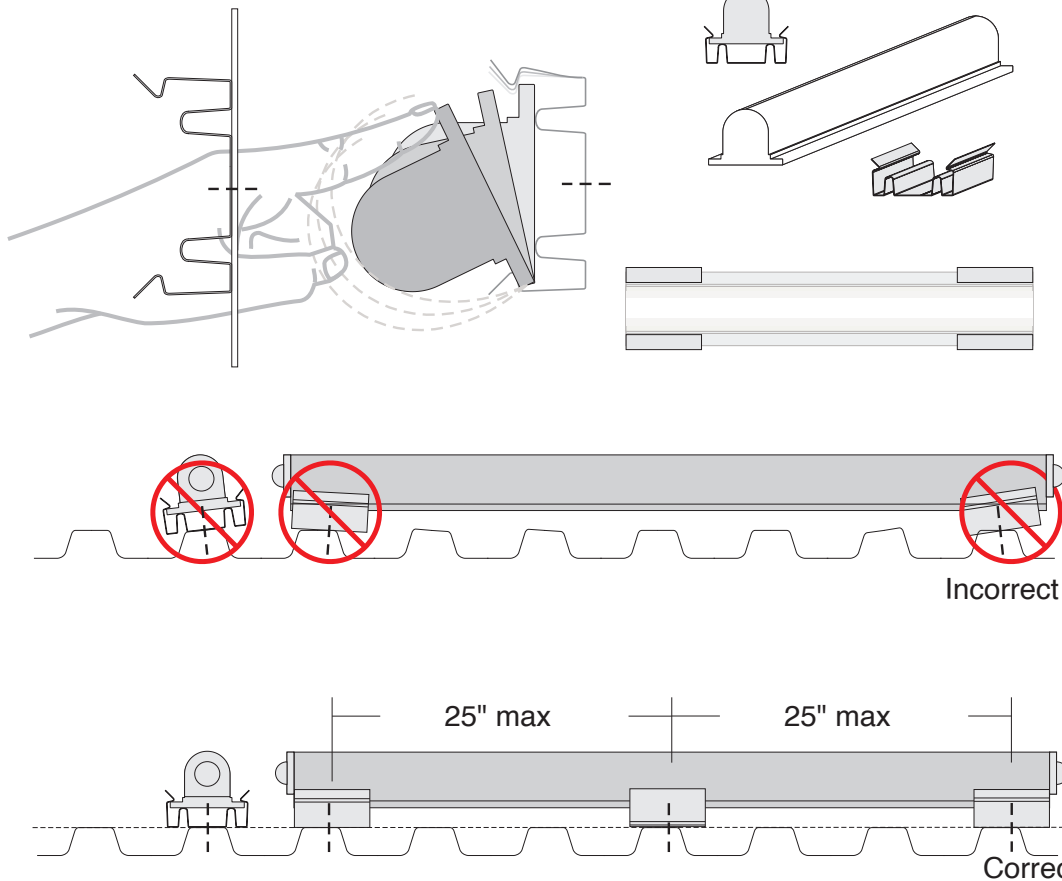
**Handle with care, Do Not Force**, striking this product will **Void Warranty**

## Installation and Mounting Hardware Spring Clip

— — Based on the different installation conditions the fastener will be determined and provided by the installer.

Stainless Steel Clip

Aluminum Slide Clip

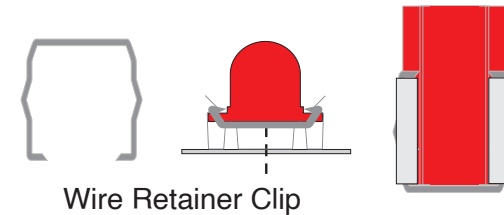


### Stainless Steel Snap Clip

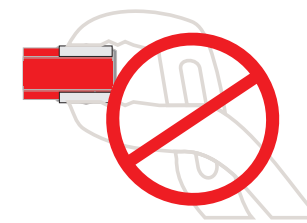
The stainless steel spring snap clip needs to be installed at each end of each border tube fixture. They should be installed flush to the end of every fixture and be used to secure the fixture.

\*Once the tubes are in place using your thumb and index finger pinch the stainless snap clip tabs together ensuring that they are tight and secure.

In cases where you are mounting the tubes in a vertical position you will need to employ a retainer clip seen below. The Wire Retainer Clip has points that wrap around the end(s) of the tube holding it from sliding up or down.



Wire Retainer Clip

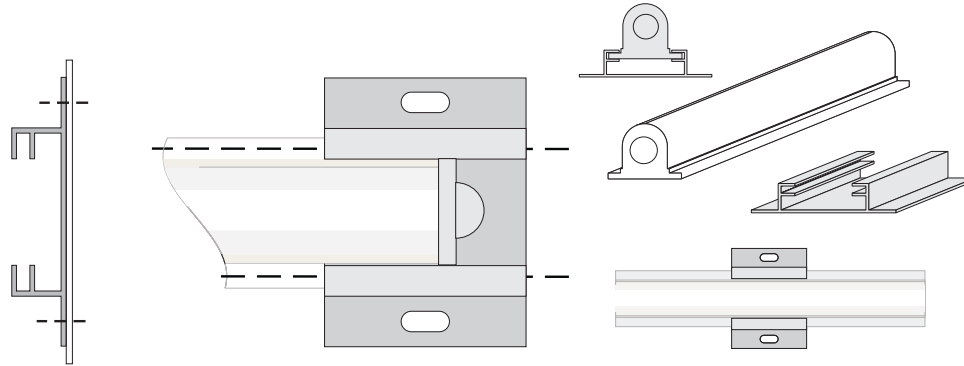


Do not use pliers  
 see note\*

**Mandatory: maintain straight plane**

The position of the Stainless Steel Snap and Aluminum Slide clips are vital to a successful installation both from a mechanical and esthetic view. There should not be any section of the installation that measures longer than 25" without an Aluminum Slide clip in place as directed.

## Installation and Mounting Hardware In-line Brackets



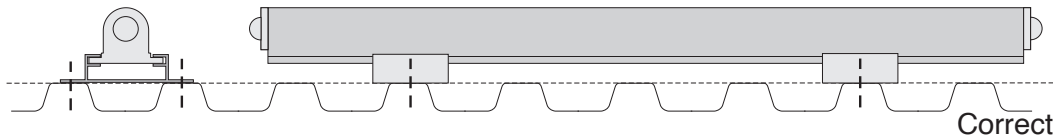
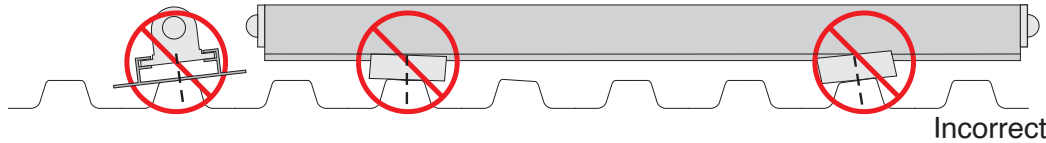
### Aluminum Slide Clip

Will need to be placed in-line on or about 25" on center along with one Snap clip on each end.

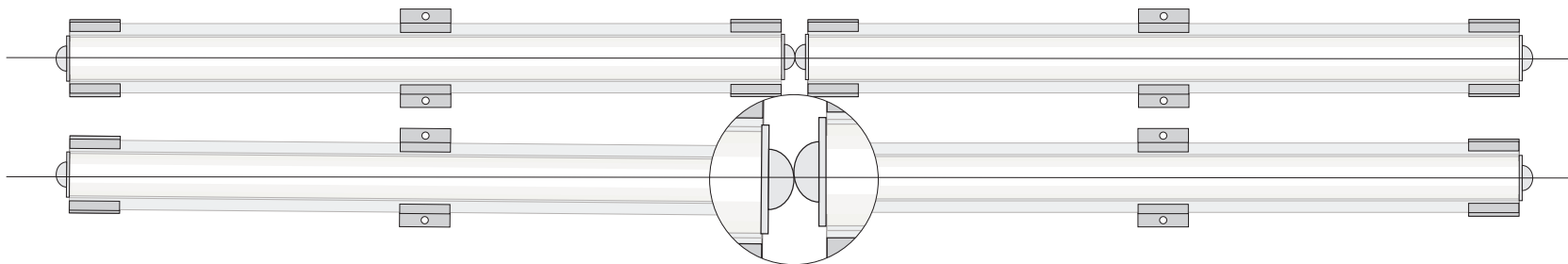
See illustration at left: When marking off and laying out your Slide Brackets pay close attention to the angle of the surface making sure that they are same across the length of the project. Failing to do so can cause the Slide Clips to apply uneven pressure in the mounting flange possibly leading to cracking of the housing and eventual failure of the border tube.

The best way to determine where to apply the clips is to use a long level straight edge across the face of the building and mark the points where all Clips will be on the same level plane.

Note: there may be times where you may have to shim some of the Clips along the way to maintain the same plane.



**Mandatory: maintain straight plane**



**Note:** As little as five degrees off will alter the tube enough to noticeably distort the overall line.



**Mounting Hardware**

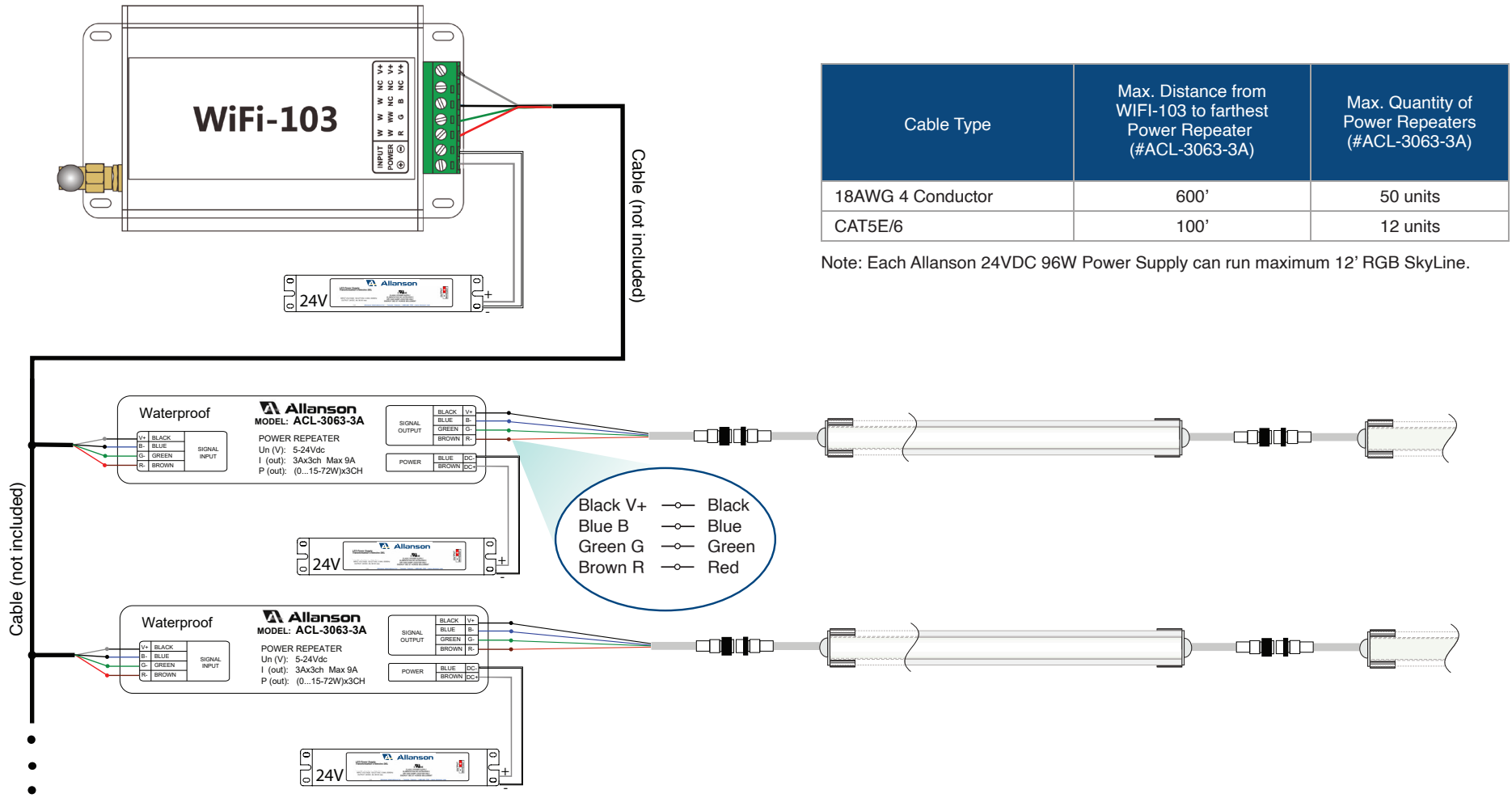
PART #	Stainless Steel Snap Clip	Aluminum Slide Clip	Wire Retainer Clip
ARBT-04	2	1	1
ARBT-07	2	1	1
ARBT-09	2	1	1
ARBT-11	2	1	1
ARBT-14	2	1	1
ARBT-16	2	1	1
ARBT-19	2	1	1
ARBT-21	2	1	1
ARBT-23	3	1	1
ARBT-26	3	1	1
ARBT-28	3	1	1
ARBT-31	3	1	1
ARBT-33	3	1	1
ARBT-35	3	1	1
ARBT-38	3	1	1
ARBT-40	3	1	1
ARBT-43	3	1	1
ARBT-45	3	1	1
ARBT-47	3	1	1
ARBT-50	3	1	1
ARBT-52	4	1	1
ARBT-55	4	1	1
ARBT-57	4	1	1
ARBT-59	4	1	1
ARBT-62	4	1	1
ARBT-64	4	1	1
ARBT-67	4	1	1
ARBT-69	4	1	1
ARBT-71	4	1	1
ARBT-74	4	1	1
ARBT-76	4	1	1
ARBT-79	5	1	1
ARBT-81	5	1	1
ARBT-83	5	1	1
ARBT-86	5	1	1
ARBT-88	5	1	1
ARBT-91	5	1	1
ARBT-93	5	1	1
ARBT-95	5	1	1
ARBT-98	5	1	1



## General Wiring Diagram (24V)

For custom wiring diagrams, please contact your local Allanson Sales Representative

### ACL-WIFI-103 with ACL-3063-3A & ARBT-XXRGB



Installation and service of these products should be done by qualified personnel.  
Use only with Class 2 Power Supply.



To reduce the risk of electric shock, disconnect all connections before servicing.



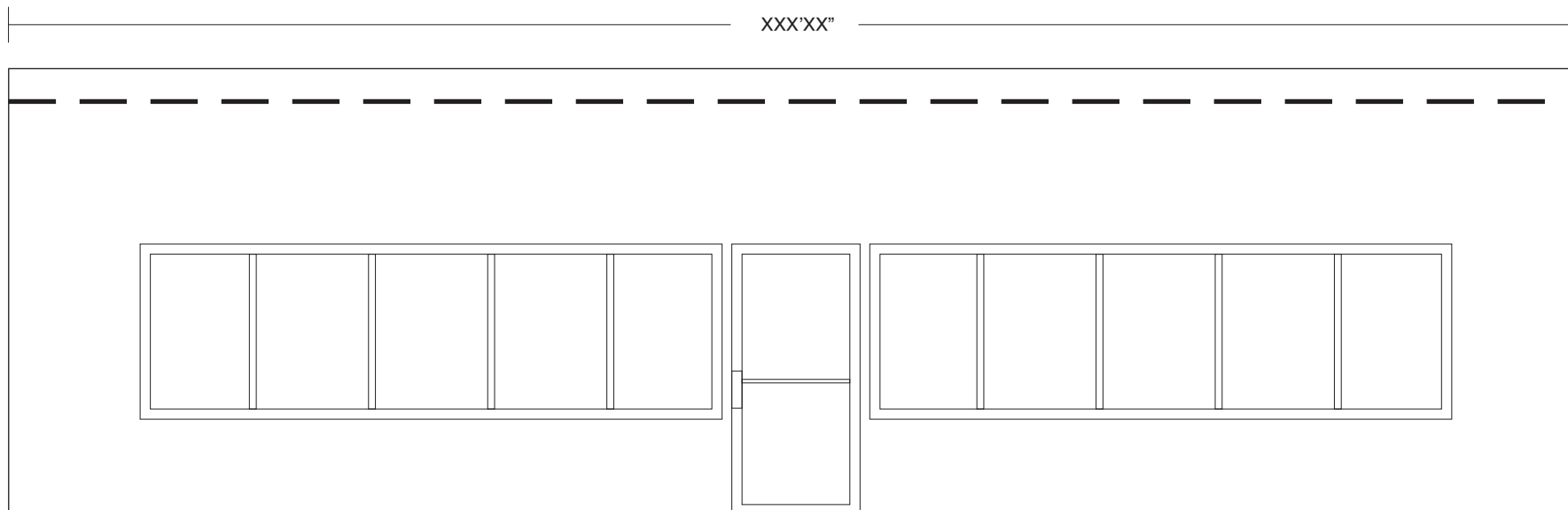
## ARBT - Static Colors

SkyLine LED Rigid Border Tube  
Installation Instruction



## Project Planning and Preparation(s)

What you will need for parts and pieces...

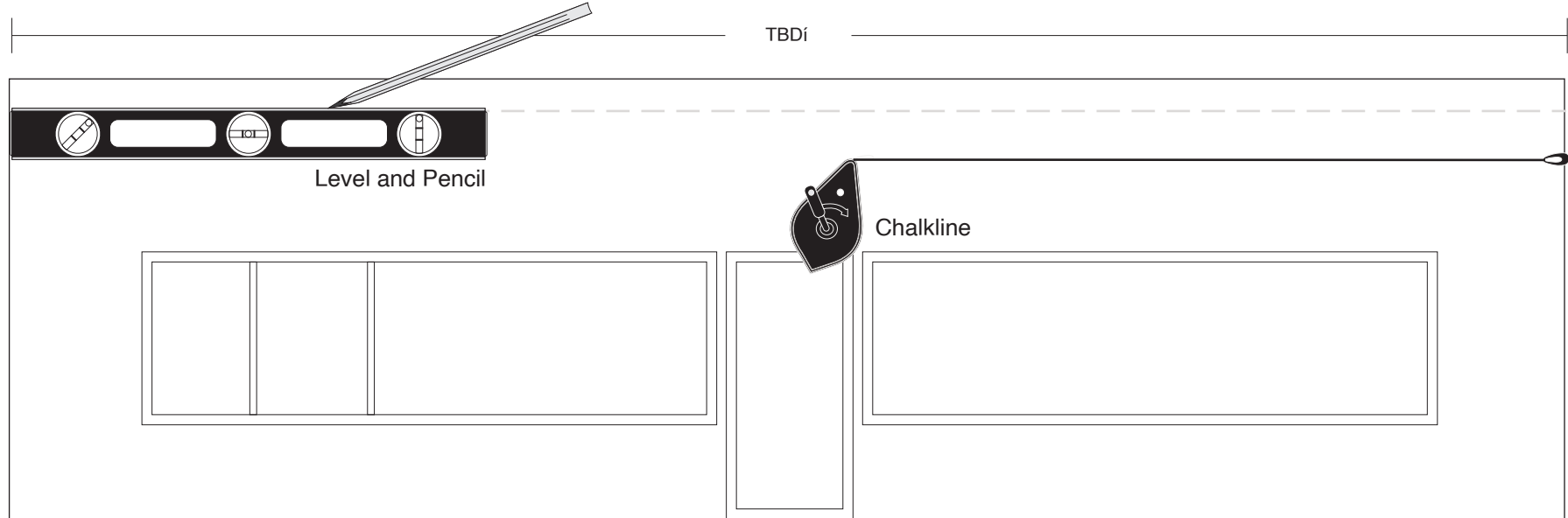


**Step One:** Take a linear measurement of the overall length of the portion of the building where you plan to install the border tube(s).

**Step Two:** Divide the overall length by the best stock sized tube(s) to achieve the most esthetically appealing installation. For example if this building was 41' long the optimal sized tube would be ARBT-98-CW meaning that the tube is 98" long and Cool White in color. Based on that you would specify (5) of this unit P/N to complete the project with the least amount of seams.

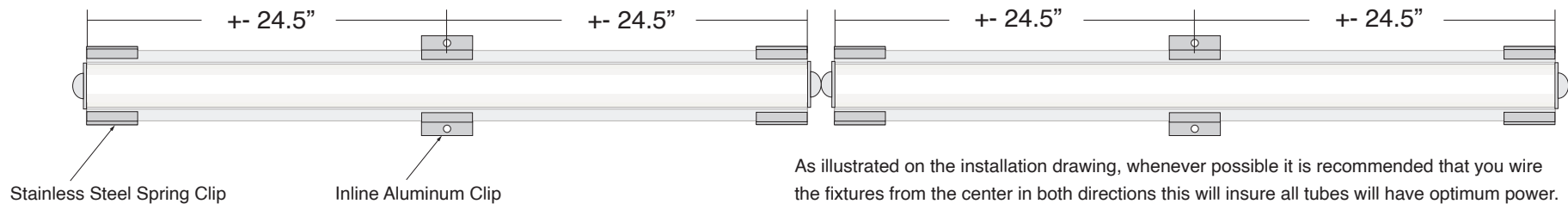
### Project Planning Laying Out the Installation:

Where you will apply the border tubes and proven methods for layout.



**Step Three:** Using a Level or a Chalk line make a line across the entire length of the installation This will ensure that each tube applied will stay on the same level plane.

**Step Four:** After you have determined how many mounting clips you will need, install them spaced according to the length of the specified tube(s), spacing them + or - 24.5" on center. for pieces less than 26" long you will install the fixture using one spring clip on each end.

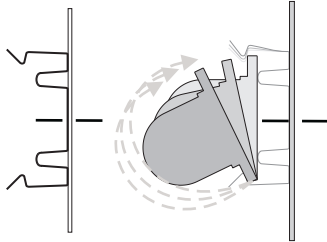


As illustrated on the installation drawing, whenever possible it is recommended that you wire the fixtures from the center in both directions this will insure all tubes will have optimum power.

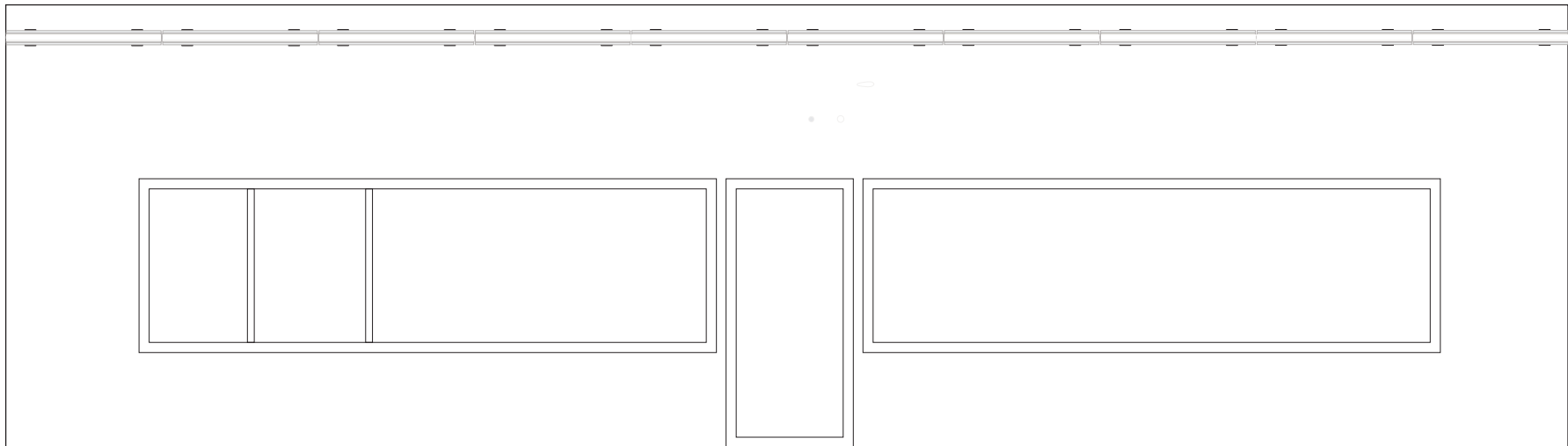
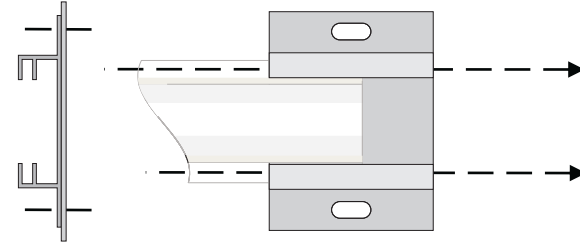
## Project Installation and Wiring:

**Note:** All electrical connections must be completed by qualified person(s) and in accordance to local electrical codes.

Stainless Steel Clip



Aluminum Slide Clip



**Step Five:** Install the border tubes beginning at an end while making sure not to compress the soft end caps leaving a minimum of 1/4" between each fixture, thus allowing for normal expansion and contraction.

**Step Six:** Make all electrical connections based on the manufacturers' recommendations and test lighting. Finish all connections and apply primary power and verify all tubes are lighting.

### Tools Needed and Caution for Installation



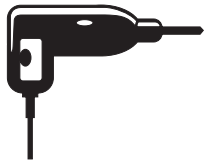
Level



Tape Measure



Chalk Line



Drill / Hammer Drill



Linemen's Plier



Philips / Robertson Head Screwdriver



Do not cut this product without using the **Field Cut Kit** and without referencing the Field Cut Kit Instructions.

**Do Not Drill** through the mounting flange or any part of the fixture for any reason it will **Void Warranty**



**Handle with care, Do Not Force**, striking this product will **Void Warranty**

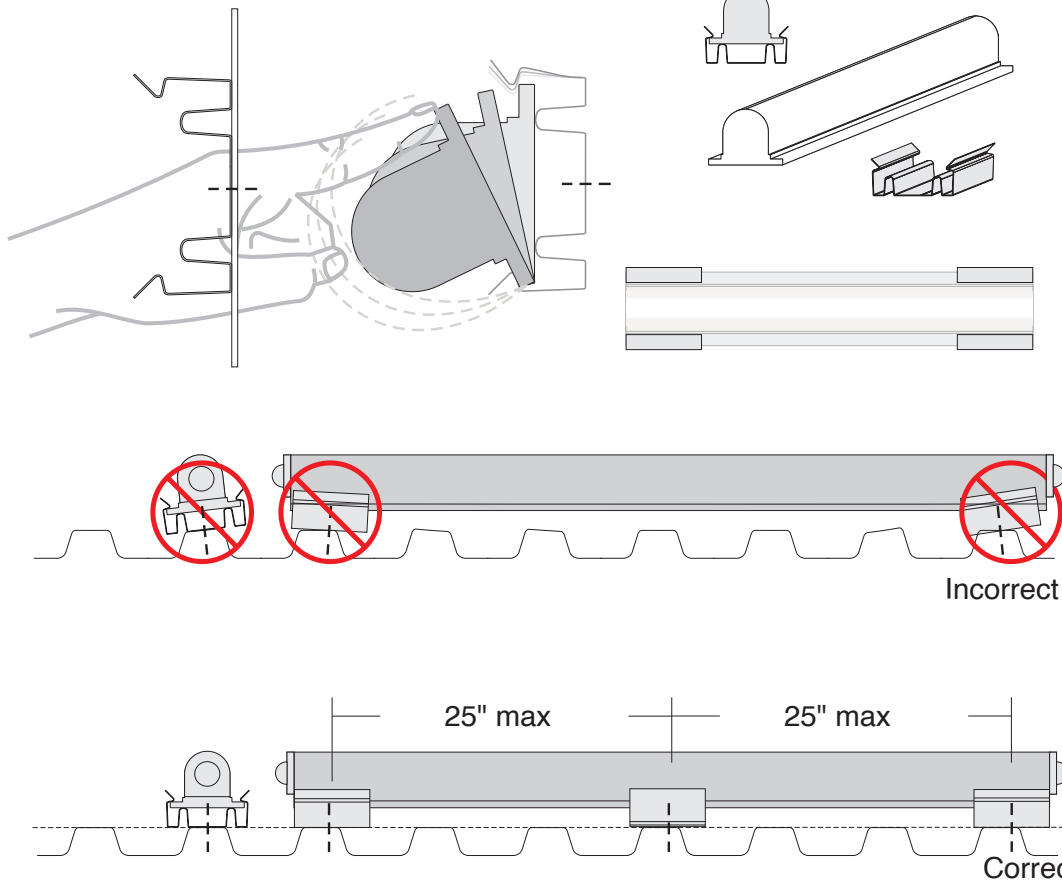


## Installation and Mounting Hardware Spring Clip

— — Based on the different installation conditions the fastener will be determined and provided by the installer.

Stainless Steel Clip

Aluminum Slide Clip

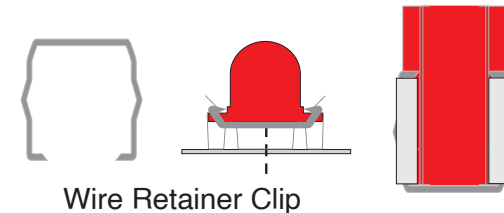


## Stainless Steel Snap Clip

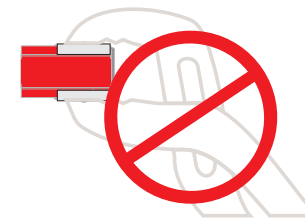
The stainless steel spring snap clip needs to be installed at each end of each border tube fixture. They should be installed flush to the end of every fixture and be used to secure the fixture.

\*Once the tubes are in place using your thumb and index finger pinch the stainless snap clip tabs together ensuring that they are tight and secure.

In cases where you are mounting the tubes in a vertical position you will need to employ a retainer clip seen below. The Wire Retainer Clip has points that wrap around the end(s) of the tube holding it from sliding up or down.



Wire Retainer Clip



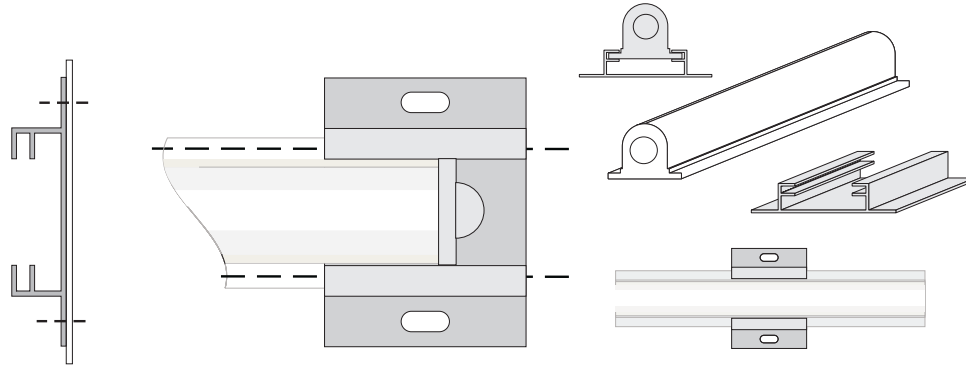
Do not use pliers  
 see note\*

**Mandatory: maintain straight plane**

The position of the Stainless Steel Snap and Aluminum Slide clips are vital to a successful installation both from a mechanical and esthetic view. There should not be any section of the installation that measures longer than 25" without an Aluminum Slide clip in place as directed.



## Installation and Mounting Hardware In-line Brackets



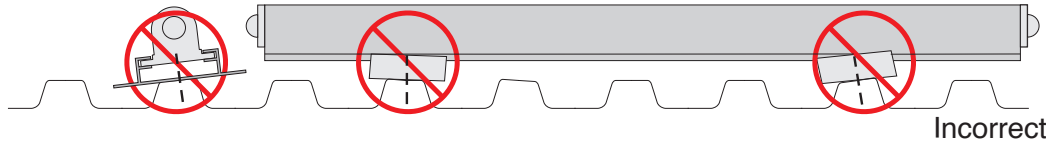
### Aluminum Slide Clip

Will need to be placed in-line on or about 25" on center along with one Snap clip on each end.

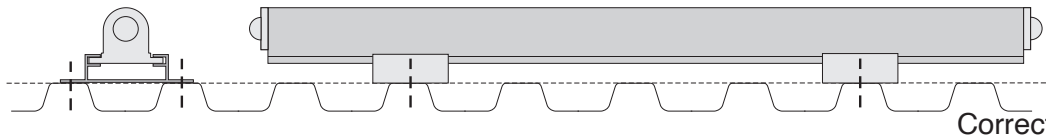
See illustration at left: When marking off and laying out your Slide Brackets pay close attention to the angle of the surface making sure that they are same across the length of the project. Failing to do so can cause the Slide Clips to apply uneven pressure in the mounting flange possibly leading to cracking of the housing and eventual failure of the border tube.

The best way to determine where to apply the clips is to use a long level straight edge across the face of the building and mark the points where all Clips will be on the same level plane.

Note: there may be times where you may have to shim some of the Clips along the way to maintain the same plane.

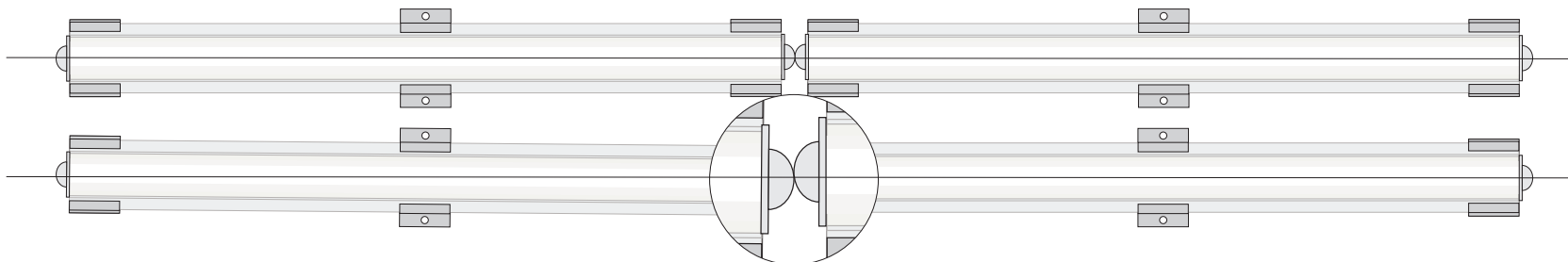


Incorrect



Correct

**Mandatory: maintain straight plane**



**Note:** As little as five degrees off will alter the tube enough to noticeably distort the overall line.



# ARBT - Static Colors

## SkyLine LED Rigid Border Tube Installation Instruction



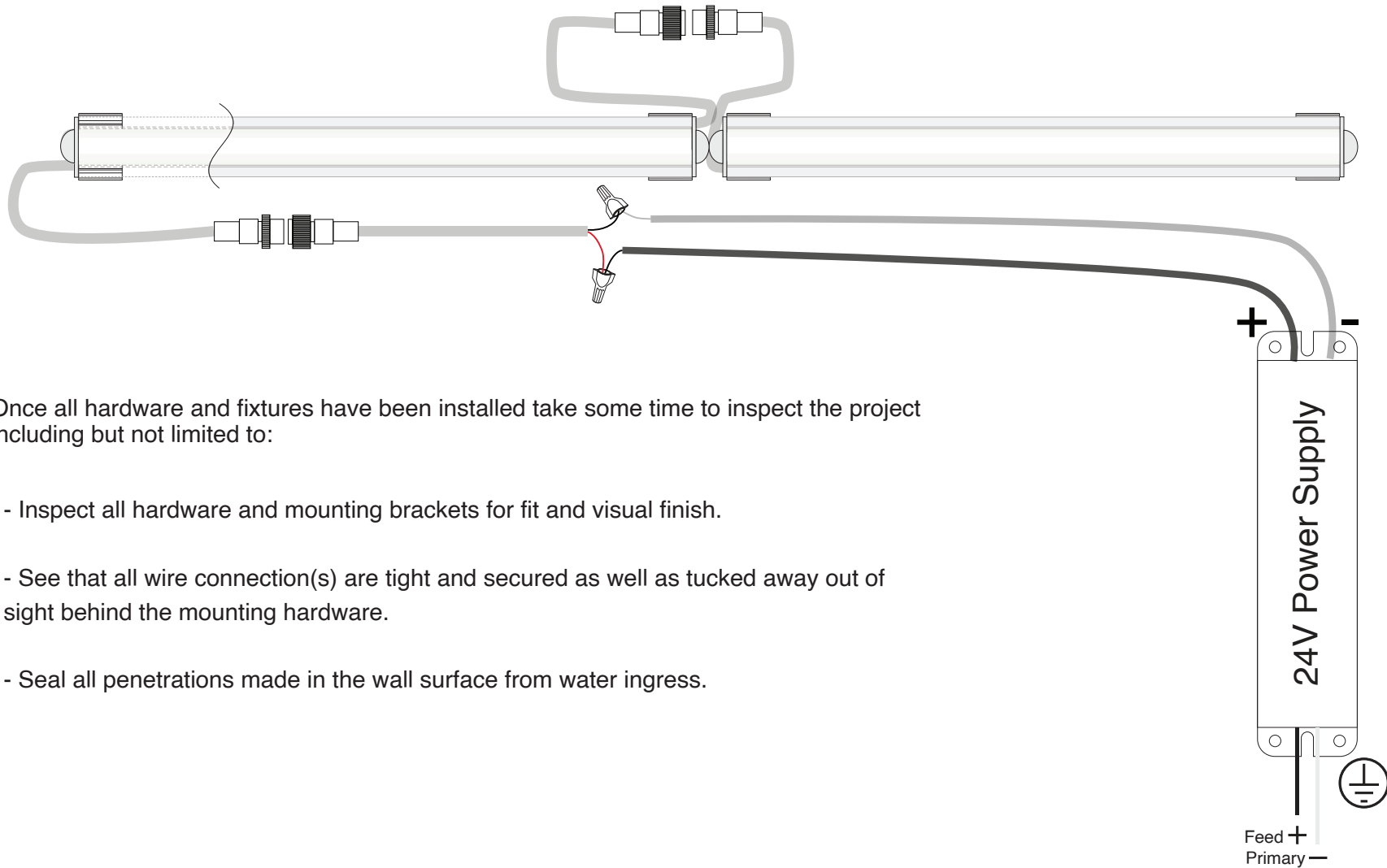
### Mounting Hardware

PART #	Stainless Steel Snap Clip	Aluminum Slide Clip	Wire Retainer Clip
ARBT-04	2	1	1
ARBT-07	2	1	1
ARBT-09	2	1	1
ARBT-11	2	1	1
ARBT-14	2	1	1
ARBT-16	2	1	1
ARBT-19	2	1	1
ARBT-21	2	1	1
ARBT-23	3	1	1
ARBT-26	3	1	1
ARBT-28	3	1	1
ARBT-31	3	1	1
ARBT-33	3	1	1
ARBT-35	3	1	1
ARBT-38	3	1	1
ARBT-40	3	1	1
ARBT-43	3	1	1
ARBT-45	3	1	1
ARBT-47	3	1	1
ARBT-50	3	1	1
ARBT-52	4	1	1
ARBT-55	4	1	1
ARBT-57	4	1	1
ARBT-59	4	1	1
ARBT-62	4	1	1
ARBT-64	4	1	1
ARBT-67	4	1	1
ARBT-69	4	1	1
ARBT-71	4	1	1
ARBT-74	4	1	1
ARBT-76	4	1	1
ARBT-79	5	1	1
ARBT-81	5	1	1
ARBT-83	5	1	1
ARBT-86	5	1	1
ARBT-88	5	1	1
ARBT-91	5	1	1
ARBT-93	5	1	1
ARBT-95	5	1	1
ARBT-98	5	1	1



Tried · Trusted · True

## Installation and Secondary Fixture Wiring

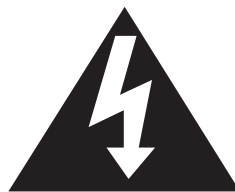


Once all hardware and fixtures have been installed take some time to inspect the project including but not limited to:

- Inspect all hardware and mounting brackets for fit and visual finish.
- See that all wire connection(s) are tight and secured as well as tucked away out of sight behind the mounting hardware.
- Seal all penetrations made in the wall surface from water ingress.

Product Code	Tube Length Code	COOL WHITE	RED	BLUE	GREEN	ORANGE	YELLOW	Fixture Length millimeters	Fixture Length Inches
		CW	RD	BL	GR	OR	YL		
		Watts	Watts	Watts	Watts	Watts	Watts		
<b>ARBT-14</b>		2.04	2.04	2.04	2.04	2.04	2.04	349mm	13.75"
<b>ARBT-26</b>		4.08	4.08	4.08	4.08	4.08	4.08	654mm	25.75"
<b>ARBT-50</b>		8.18	8.18	8.18	8.18	8.18	8.18	1264mm	49.75"
<b>ARBT-74</b>		12.24	12.24	12.24	12.24	12.24	12.24	1873mm	73.75"
<b>ARBT-98</b>		18.64	18.56	19.04	18.72	18.72	19.04	2494mm	98.20"

Installation and service of these products should be done by qualified personnel.  
 Use only with Class 2 Power Supply.



**CAUTION**  
 RISK OF  
 ELECTRIC SHOCK



To reduce the risk of electric shock, disconnect all connections before servicing.