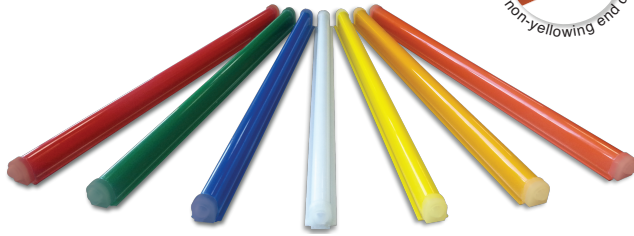


Skyline



Overview

Allanson's LED SkyLine Rigid Border Tubing provides top of the line LED systems that complement and enhance the appearance of your building. With Allanson Skyline, the sky's the limit!

For custom cut lengths or specific project requirements, please contact your local Allanson representative by scanning the "Where to buy" QR code.



Installation Manual

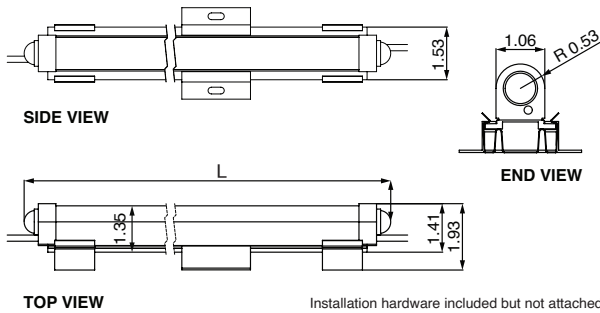


Where to Buy

Features

- 7 static colors* and RGB color changing options available
- Unique, non-yellowing end caps allow for thermal expansion and uniform illumination with no dead spots for a clean, sleek look
- Stainless steel retention/mounting clips and aluminum slide attachments for easy mounting
- Rigid UV resistant polycarbonate housing
- Dimmable with the use of LED Dimmer part #ACL-12/24V-DMR
- Static colors are field cuttable with part #ARBT-CUTKIT
- All border tubing come with watertight connectors

Dimensions



Specifications

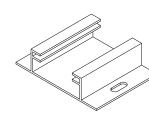
| | |
|----------------------------------|--|
| Operating Temperature..... | -40°C ~ 70°C |
| Protection Class..... | IP67 outdoor rated |
| Voltage..... | DC 24V |
| Colors..... | Red (RD), Yellow (YL), Cool White 6000°K (CW) Blue (BL), Green (GR), Orange (OR), Lemon Yellow (MY), and RGB |
| Power Consumption..... | 2.4W/ft for standard colors and 7W/ft for RGB |
| Installation Hardware..... | Stainless steel snap clip, aluminum slide clip, wire retainer clip, wire nuts |
| Warranty..... | 5 Years |
| Part Number..... | ARBT-98XX (XX in part number denotes color) |
| Total Length (in) Outside Ø..... | 98.20 (or 98 3/16) |
| Watt..... | 19.04 |
| Amps..... | 0.79 |

Installation Hardware Kit (54-012-B)

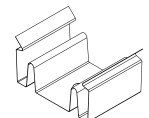
Additional installation hardware as required



Wire Retainer Clip



Aluminum Slide Clip



Stainless Steel Clip

For hardware quantities, refer to the mounting hardware chart in the Rigid Border Tube installation guide.

Power Supplies Loading

| | Power Supply Part number | Output Watts | Input Voltage | Output Volts DC | Max. Capacity |
|----------|--------------------------|---------------------|---------------|-----------------|--------------------------------------|
| Standard | CV244-120-277 | 96W | 120-277 | 24.0 | 37' (11m) |
| | CVW244-120-277** | 96W | 120-277 | 24.0 | 37' (11m) |
| | CVW2244-120-277** | 192W (96 + 96) | 120-277 | 24.0 | 37' (11m) + 37' (11m) |
| | CVW3244-120-277** | 288W (96 + 96 + 96) | 120-277 | 24.0 | 37' (11m) + 37' (11m) + 37' (11m) |
| RGB | CV244-120-277 | 96W | 120-277 | 24.0 | 12" (3.6m) |
| | CVW244-120-277** | 96W | 120-277 | 24.0 | 12' (3.6m) |
| | CVW2244-120-277** | 192W (96 + 96) | 120-277 | 24.0 | 12' (3.6m) + 12' (3.6m) |
| | CVW3244-120-277** | 288W (96 + 96 + 96) | 120-277 | 24.0 | 12' (3.6m) + 12' (3.6m) + 12' (3.6m) |

*Custom colors upon request - minimum order quantity required

**IP68 rated

