

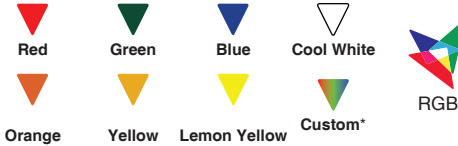
Skyline



## Overview

Allanson's LED SkyLine Rigid Border Tubing provides top of the line LED systems that complement and enhance the appearance of your building. With Allanson Skyline, the sky's the limit!

For custom cut lengths or specific project requirements, please contact your local Allanson representative by scanning the "Where to buy" QR code.



Installation Manual

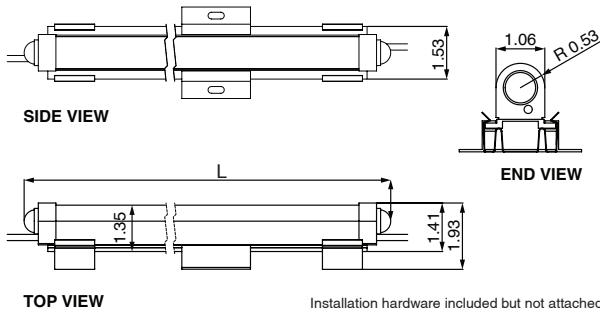


Where to Buy

## Features

- 7 static colors\* and RGB color changing options available
- Unique, non-yellowing end caps allow for thermal expansion and uniform illumination with no dead spots for a clean, sleek look
- Stainless steel retention/mounting clips and aluminum slide attachments for easy mounting
- Rigid UV resistant polycarbonate housing
- Dimmable with the use of LED Dimmer part #ACL-12/24V-DMR
- Static colors are field cuttable with part #ARBT-CUTKIT
- All border tubing come with watertight connectors

## Dimensions

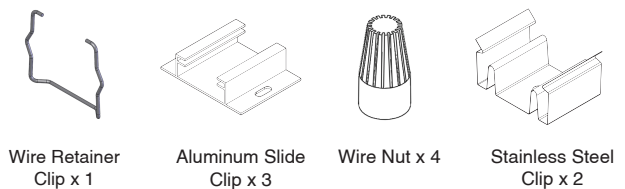


## Specifications

Operating Temperature.....	-40°C ~ 70°C
Protection Class.....	IP67 outdoor rated
Voltage.....	DC 24V
Colors.....	Red (RD), Yellow (YL), Cool White 6000°K (CW) Blue (BL), Green (GR), Orange (OR), Lemon Yellow (MY), and RGB
Power Consumption.....	2.4W/ft for standard colors and 7W/ft for RGB
Installation Hardware.....	Stainless steel snap clip, aluminum slide clip, wire retainer clip, wire nuts
Warranty.....	5 Years
Part Number.....	ARBT-98XX (XX in part number denotes color)
Total Length (in) Outside Ø.....	98.20 (or 98 3/16)
Watt.....	19.04
Amps.....	0.79

## Installation Hardware Kit (54-012B)

Additional installation hardware as required



## Power Supplies Loading

	Power Supply Part number	Output Watts	Input Voltage	Output Volts DC	Max. Capacity
Standard	CV244-120-277	96W	120-277	24.0	37' (11m)
	CVW244-120-277**	96W	120-277	24.0	37' (11m)
	CVW2244-120-277**	192W (96 + 96)	120-277	24.0	37' (11m) + 37' (11m)
	CVW3244-120-277**	288W (96 + 96 + 96)	120-277	24.0	37' (11m) + 37' (11m) + 37' (11m)
RGB	CV244-120-277	96W	120-277	24.0	12" (3.6m)
	CVW244-120-277**	96W	120-277	24.0	12' (3.6m)
	CVW2244-120-277**	192W (96 + 96)	120-277	24.0	12' (3.6m) + 12' (3.6m)
	CVW3244-120-277**	288W (96 + 96 + 96)	120-277	24.0	12' (3.6m) + 12' (3.6m) + 12' (3.6m)

\*Custom colors upon request - minimum order quantity required

\*\*IP68 rated

