



Overview

The RGB Addressable LED Module provides dynamic lighting effects with individually addressable modules, giving greater variation in application and animation. Its size and shape make it optimal for small spaces, ensuring versatility in placement. It is easy to install through peel and stick or by screws. Customized programming is available to tailor the lighting effects to specific needs.



Explore ColorMix



Where to Buy

These modules offer the perfect solution for lighting signs, channel letters, theatres, casinos, and many other architectural establishments, enhancing their aesthetic appeal and visibility.

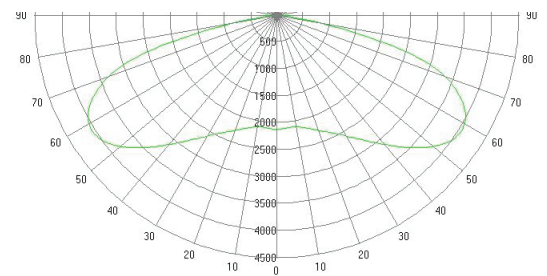
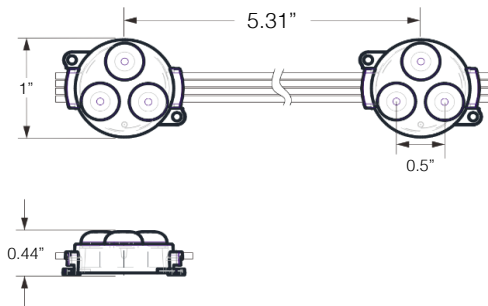
Features

- 165° wide beam angle
- IP67 rated protection
- 3,528 RGB
- Energy saving
- Environmentally friendly
- Long life span

Specifications

Part Number.....	L307W3RGB12A
LED Colors.....	Red Green Blue
LED/ Module.....	3
Module/ Ft.....	2.5
Beam Angle.....	165°
Power Consumption.....	0.6W
Input Voltage.....	12V
Operating Temperature.....	-40°C ~ 60°C
Protection.....	IP67
Recommended Depth.....	1.5"~6" (4cm~15cm)
Warranty.....	5 years
Packaging.....	40 modules/bag
Light Distribution Curve.....	

Dimensions



Power Supplies Loading

	Power Supply Part number	Output Watts	Input Voltage	Output Volts DC	Max. Modules**
12V	ACVN125-120-277V	60W	120-277	12	100
	ACV125-120-277V	60W	120-277	12	100
	ACV2125-120-277V	120W (60 + 60)	120-277	12	100 + 100
	ACV3125-120-277V	180W (60 + 60 + 60)	120-277	12	100 + 100 + 100
	CVW125-120-277V*	60W	120-277	12	100
	CVW2125-120-277V*	120W (60 + 60)	120-277	12	100 + 100
	CVW3125-120-277V*	180W (60 + 60 + 60)	120-277	12	100 + 100 + 100

*IP68 rated

**Based on 100% load (recommended 80%). Maximum 40 modules per series.

