

Overview

S15W1XX B E unique lens shape is designed for even and bright distribution for many double-sided lighting applications. Its high energy efficiency significantly lowers power usage, promoting a cost effective solution. It is easy to install through peel and stick or by screws.



Explore LED Modules



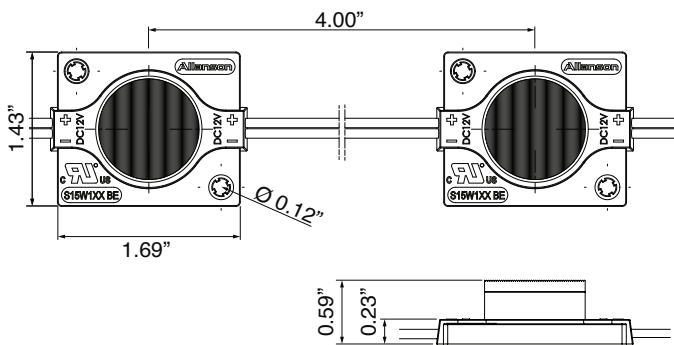
Where to Buy



Features

- 98% transmittance lens
- Optimized for use in double-sided lightbox lighting
- 45° x 15° beam angle
- IP65 rated
- Energy saving
- Environmental friendly
- Long life span

Dimensions



Specifications

Part Number.....	S15W1XX B E
Colors/Color Temperature*.	White 7000K (TW); Orange (OR)
LED/Module.....	1
Module/Foot.....	3
Lumens/Module.....	187.5
Lumens/Foot.....	562.5
Lumens/Watt.....	125
Beam Angle.....	45° x 15°
Power Consumption (watt).	1.5W
Input Voltage.....	12V
Operating Temperature.....	-40°C-60°C
Ingress Protection Rating...	IP65
Recommended Depth.....	4"-10" (10-20 cm)
Product Size (in).....	1.69 L x 1.43 W x 0.59 H; Hole Ø 0.12
Certification.....	UL recognized (E251622)
Warranty.....	5 years
Packaging.....	Anti-static bag, 100 modules

Power Supplies Loading

	Power Supply Part number	Output Watts	Input Voltage	Output Volts DC	Max. # Modules**
12V	ACVN125-120-277V	60W	120-277	12	40
	ACV125-120-277V	60W	120-277	12	40
	ACV2125-120-277V	120W (60 + 60)	120-277	12	40 + 40
	ACV3125-120-277V	180W (60 + 60 + 60)	120-277	12	40 + 40 + 40
	CVW125-120-277V***	60W	120-277	12	40
	CVW2125-120-277V***	120W (60 + 60)	120-277	12	40 + 40
	CVW3125-120-277V***	180W (60 + 60 + 60)	120-277	12	40 + 40 + 40

*Custom colors available upon request - minimum order quantity required

**Based on 100% loading

***IP68 rated

