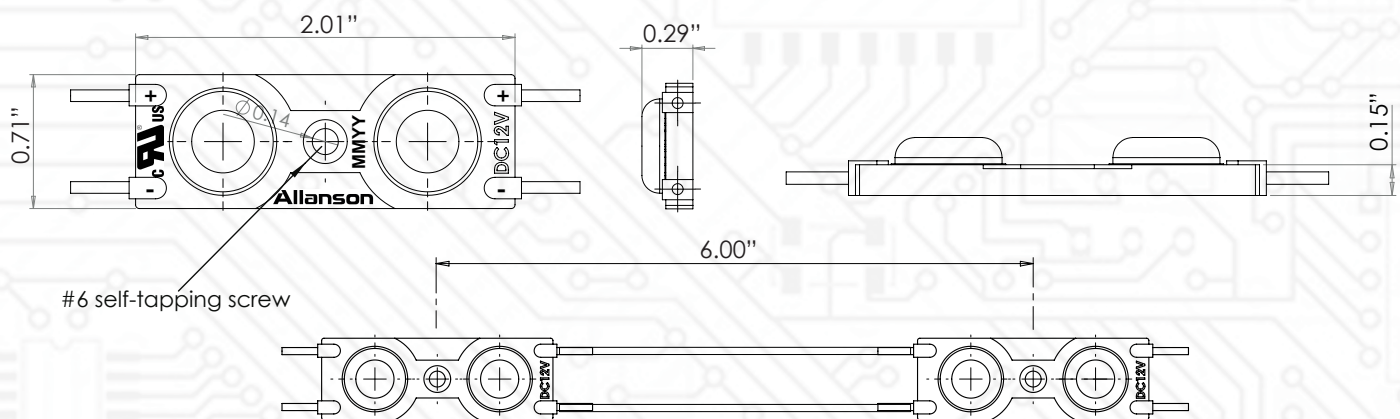


**0.5W Blue / Red / Orange**  
**1.0W Green / Red / Orange**

Part Number	S05W2BL B	S1W2GR B	S05W2RD B	S1W2RD B	S05W2OR B	S1W2OR B
Color Temperature	Blue	Green	Red	Red	Orange	Orange
LED/MOD	2	2	2	2	2	2
MOD/FT	2	2	2	2	2	2
Lumens/Mod	9	73	19	33	17	31
Lumens/Ft	18	146	38	66	34	62
Lumens/watt	17	66	35	34	32	29
Beam Angle	160	160	160	160	160	160
Power consumption (watt)	0.5W	1 W	0.5 W	1 W	0.5 W	1 W
Input Voltage	DC 12V	DC 12V	DC 12V	DC 12V	DC 12V	DC 12V
Operating Temperature	-30° C to +60° C	-30° C to +60° C	-30° C to +60° C	-30° C to +60° C	-30° C to +60° C	-30° C to +60° C
IP level	67	67	67	67	67	67
<b>Packaging</b>						
Anti-Static Bag	50 Modules	50 Modules	50 Modules	50 Modules	50 Modules	50 Modules
Carton	600 Modules	600 Modules	600 Modules	600 Modules	600 Modules	600 Modules
Master Carton	1200 Modules	1200 Modules	1200 Modules	1200 Modules	1200 Modules	1200 Modules
Warranty	5 years	5 years	5 years	5 years	5 years	5 years



For all your population services contact us at [led@allanson.com](mailto:led@allanson.com)



## Power Supply Loading Information

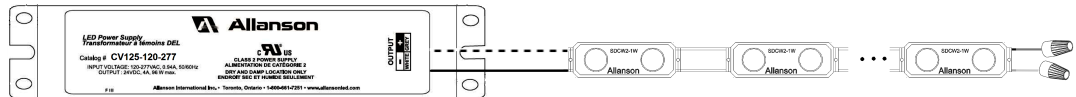
Part Number	Wattage	Number of Modules		Number of Feet	
		S05W2BL B	S1W2GR B	S05W2BL B	S1W2GR B
		S05W2RD B	S1W2RD B	S05W2RD B	S1W2RD B
		S05W2OR B	S1W2OR B	S05W2OR B	S1W2OR B
CV122-120-277	24	43	20	21.5	10
CV125-120	60	108	50	54	25
CV125-120-277	60	108	50	54	25
CV12125-MV	2X60	108 + 108	50 + 50	54 + 54	25 + 25
CVW125-MV	60	108	50	54	25

Distance to Power Supply	Stranded Copper Wire Gauge	Expected Voltage Drop
13 feet	16 AWG	5%
20 feet	14 AWG	5%
30 feet	12 AWG	5%

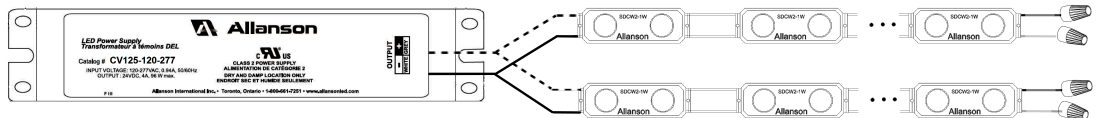
\*Wire size recommendation from LED Module to Power supply.

Modules can be connected in series or parallel:

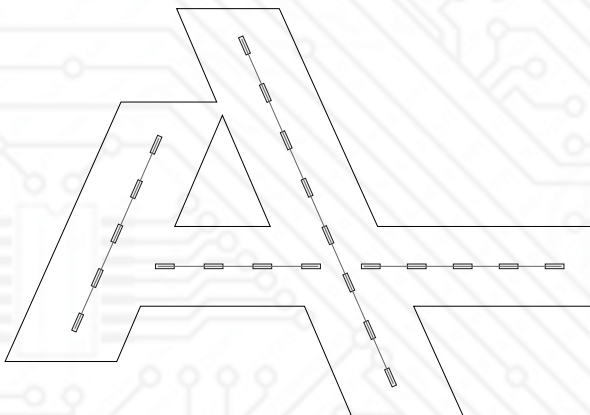
Series:



Parallel:



## Modules Population Recommendation\*



Recommended Depth 2 modules/foot	Stroke Spacing Range
4 inches	6 - 7 inches
5 inches	8 - 10 inches
6 inches	10 - 12 inches
8 inches	12 - 14 inches

\*Results may vary based on sign face material and graphics.

For all your population services and estimations, please send .ai or .eps files to [led@allanson.com](mailto:led@allanson.com).