



# LED Sign Lighting

# LEDgen<sup>2</sup>

Lighting Solutions



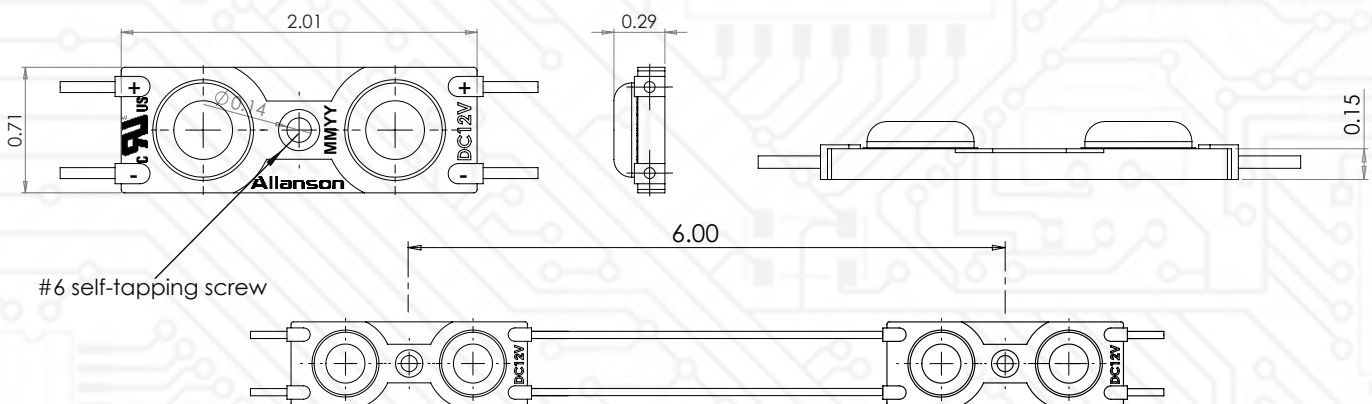
Populating Channel Letters and Cabinet Sign Boxes just got more exciting with introduction of our NEW Low Profile, Mini, and Micro Mini Modules to the LEDgen<sup>2</sup> family of LED solutions!

- Balanced and uniform illumination
- Fast and easy installation
- Excellent module efficacy
- Fewer Modules required for lower installation cost
- Consistent color
- RoHs compliant
- UL recognized
- Products can be used in dry/damp and wet locations (Not suitable for submersed applications) IP67
- Available in the following options:
  - White (6500K) 0.5W, 0.75W and 1W
  - White (5000K) 1W - White (7000K) 0.75W & 1W
  - Red, Orange 0.5W and 1W - Blue 0.5W - Green 1W
  - Low Profile (BLP) White (6500K) 0.75W
  - Mini Modules White (6500K) 0.3W
  - Micro Mini Modules White (6500K) and Red 0.36W



## LEDgen2 0.5W, 0.75W & 1W

	Part Number					
	S1W2NW B	S05W2CW B	S07W2WW B S07W2CW B	S1W2CW B	S07W2TW B	S1W2TW B
Color Temperature	5000K	6500K	3500K/6500K	6500K	7000K	7000K
LED/MOD	2	2	2	2	2	2
MOD/FT	2	2	2	2	2	2
Lumens/Mod	107	54	77	104	77	101
Lumens/Ft	214	108	154	208	154	202
Lumens/watt	96	102	102	95	102	94
Beam Angle	160	160	160	160	160	160
Power consumption (watt)	1.1 W	0.5 W	0.75W	1.1 W	0.75W	1.1W
Input Voltage	DC 12V	DC 12V	DC 12V	DC 12V	DC 12V	DC 12V
Operating Temperature	-40°C to +60°C	-40°C to +60°C	-40°C to +60°C	-40°C to +60°C	-40°C to +60°C	-40°C to +60°C
IP level	67	67	67	67	67	67
<b>Packaging</b>						
Anti-Static Bag	50 Modules	50 Modules	72 Modules	50 Modules	72 Modules	50 Modules
Carton	600 Modules	600 Modules	864 Modules	600 Modules	864 Modules	600 Modules
Master Carton	1200 Modules	1200 Modules	1728 Modules	1200 Modules	1728 Modules	1200 Modules
Warranty	5 years	5 years	5 years	5 years	5 years	5 years



For all your population services contact us at [led@allanson.com](mailto:led@allanson.com)



**Allanson**





## LEDgen2 0.5W, 0.75W & 1W

### Power Supply Loading Information

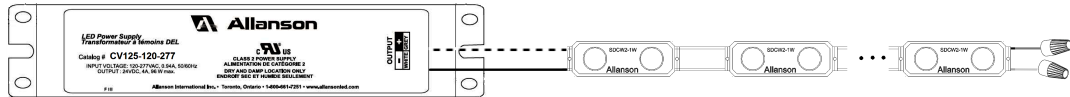
Part Number	Wattage	Number of Modules			Number of Feet		
		S05W2CW B	S07W2WW B S07W2CW B S07W2TW B	S1W2NW B S1W2CW B S1W2TW B	S05W2CW B	S07W2WW B S07W2CW B S07W2TW B	S1W2NW B S1W2CW B S1W2TW B
CV122-120-277	24	43	28	20	21.5	14	10
CV125-120	60	108	72	50	54	36	25
CV125-120-277	60	108	72	50	54	36	25
CV12125-MV	2X60	216	144	100	108	72	50
CVW125-MV	60	108	72	50	54	36	25

Distance to Power Supply	Stranded Copper Wire Gauge	Expected Voltage Drop
13 feet	16 AWG	5%
20 feet	14 AWG	5%
30 feet	12 AWG	5%

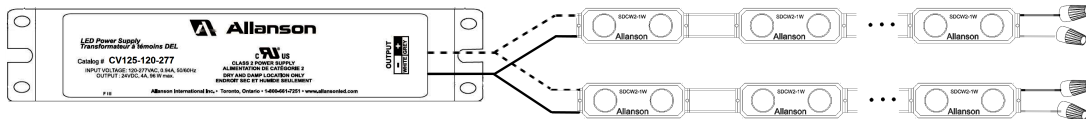
\*Wire size recommendation from LED Module to Power supply.

Modules can be connected in series or parallel. It is recommended that to achieve best results in a series when using Allanson 60 Watt Power Supplies, connect maximum 50 0.5W (S05W2CW B) modules. For additional modules, connect in parallel.

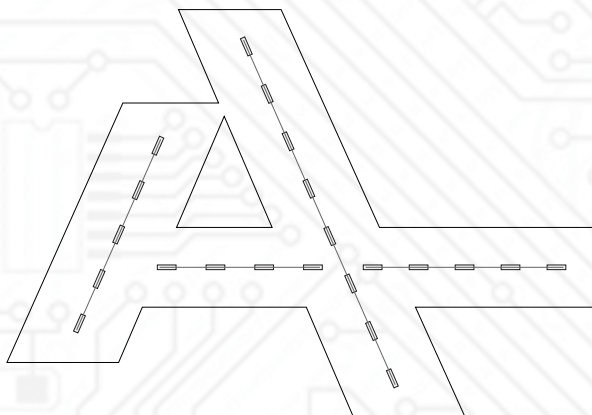
Series:



Parallel:



### Modules Population Recommendation\*



Recommended Depth (2 Modules/Foot)	Stroke Spacing Range
4 inches	6 -7 inches
5 inches	8-10 inches
6 inches	10-12 inches
8 inches	12-14 inches

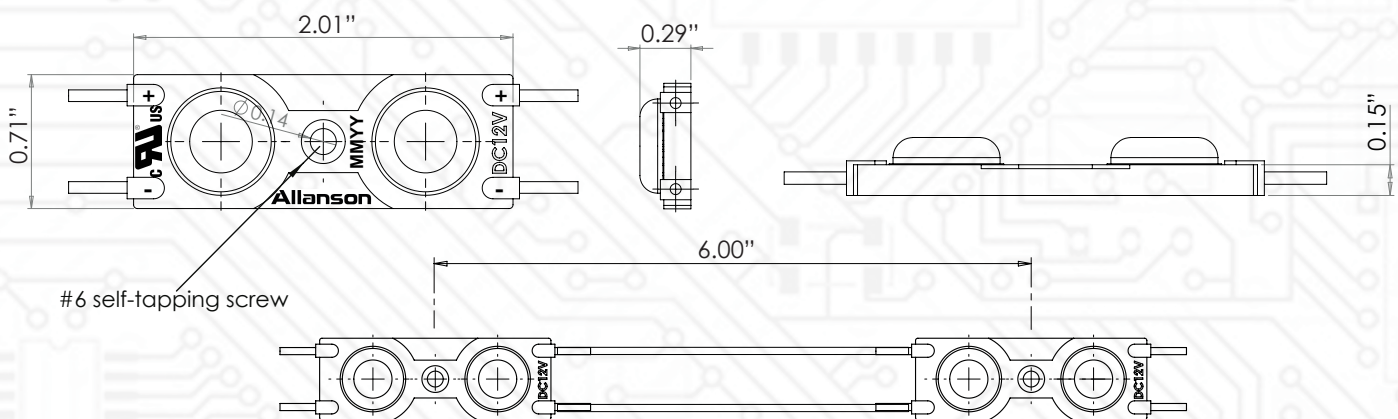
\*Results may vary based on sign face material, graphics, and desired brightness.

For all your population services and estimations, please send .ai or .eps files to [led@allanson.com](mailto:led@allanson.com).



**0.5W Blue / Red / Orange**  
**1.0W Green / Red / Orange**

Part Number	S05W2BL B	S1W2GR B	S05W2RD B	S1W2RD B	S05W2OR B	S1W2OR B
Color Temperature	Blue	Green	Red	Red	Orange	Orange
LED/MOD	2	2	2	2	2	2
MOD/FT	2	2	2	2	2	2
Lumens/Mod	9	73	19	33	17	31
Lumens/Ft	18	146	38	66	34	62
Lumens/watt	17	66	35	34	32	29
Beam Angle	160	160	160	160	160	160
Power consumption (watt)	0.5W	1 W	0.5 W	1 W	0.5 W	1 W
Input Voltage	DC 12V	DC 12V	DC 12V	DC 12V	DC 12V	DC 12V
Operating Temperature	-30° C to +60° C	-30° C to +60° C	-30° C to +60° C	-30° C to +60° C	-30° C to +60° C	-30° C to +60° C
IP level	67	67	67	67	67	67
<b>Packaging</b>						
Anti-Static Bag	50 Modules	50 Modules	50 Modules	50 Modules	50 Modules	50 Modules
Carton	600 Modules	600 Modules	600 Modules	600 Modules	600 Modules	600 Modules
Master Carton	1200 Modules	1200 Modules	1200 Modules	1200 Modules	1200 Modules	1200 Modules
Warranty	5 years	5 years	5 years	5 years	5 years	5 years



For all your population services contact us at [led@allanson.com](mailto:led@allanson.com)



## Power Supply Loading Information

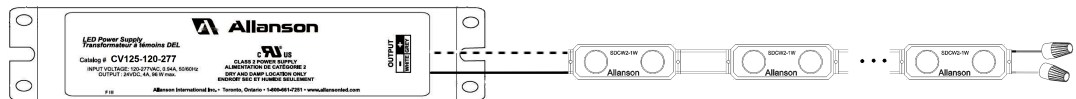
Part Number	Wattage	Number of Modules		Number of Feet	
		S05W2BL B	S1W2GR B	S05W2BL B	S1W2GR B
		S05W2RD B	S1W2RD B	S05W2RD B	S1W2RD B
		S05W2OR B	S1W2OR B	S05W2OR B	S1W2OR B
CV122-120-277	24	43	20	21.5	10
CV125-120	60	108	50	54	25
CV125-120-277	60	108	50	54	25
CV12125-MV	2X60	108 + 108	50 + 50	54 + 54	25 + 25
CVW125-MV	60	108	50	54	25

Distance to Power Supply	Stranded Copper Wire Gauge	Expected Voltage Drop
13 feet	16 AWG	5%
20 feet	14 AWG	5%
30 feet	12 AWG	5%

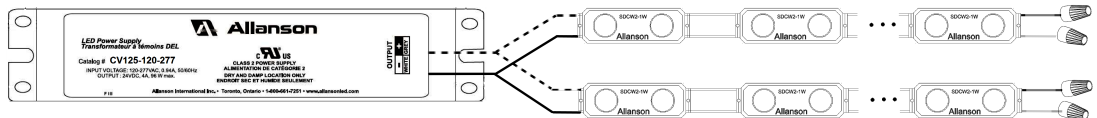
\*Wire size recommendation from LED Module to Power supply.

Modules can be connected in series or parallel:

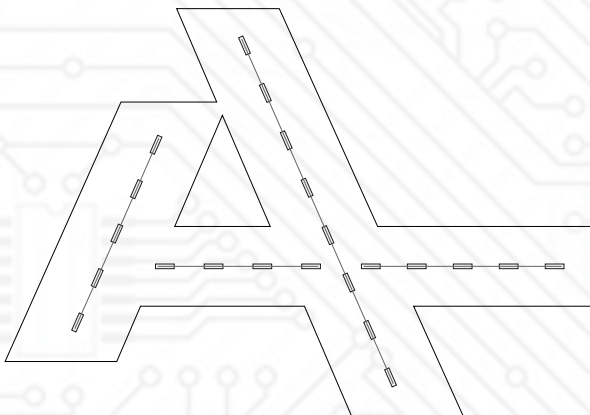
Series:



Parallel:



## Modules Population Recommendation\*



Recommended Depth 2 modules/foot	Stroke Spacing Range
4 inches	6 - 7 inches
5 inches	8 - 10 inches
6 inches	10 - 12 inches
8 inches	12 - 14 inches

\*Results may vary based on sign face material and graphics.

For all your population services and estimations, please send .ai or .eps files to [led@allanson.com](mailto:led@allanson.com).