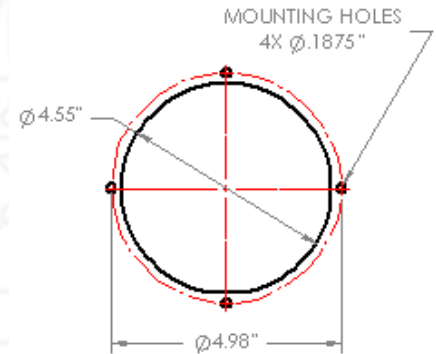


### ALF12-700-CW/WW ALF16-700-CW/WW

#### STEP I: Mounting the LED Housing Base

- Firmly secure the LED Housing Base to the hood using the provided four stainless steel #8 lock washers and nuts combination.
- Connect the output lead wires #18 AWG from the power supply to the input lead wires of the LED Housing Base with Marelite connectors. The maximum length between the power supply and the LED Housing Base must be no longer than 3 meters or 10 feet.
- Connect the positive lead wire (Yellow wire) of the LED Housing Base to the positive (+) lead wire of the power supply, the negative lead wire (White wire) of the LED fixture to the negative (-) lead wire of the power supply.
- Mount the power supply on metal surface.
- Connect the power supply input lead wires to a standard three-wire grounded power source. Ensure the metal frame (hood) & power supply case are connected to the grounded power source.
- If you need to extend the distance between the power supply and the LED fixture, please increase the wire gauge to minimize the voltage drop to the fixture. A reduction in voltage to the fixture will cause a proportional reduction in light output. The table below is only a guide.



Distance bt. power supply and fixture	Standard copper wire gauge
13ft.	16 AWG
20ft.	14 AWG
30ft.	12 AWG

#### STEP II: Mounting the LED fixture to the Housing Base

- Insure the LED Fixture aligned with Housing Base notch in first.
- Firmly push the LED Fixture into the Housing Base to insure full contact between the terminals.
- Lightly screw 4 screws (provided) to secure the LED Fixture to Housing Base. Start with one position & follow with opposite screw. After all 4 screws are lightly secured in place, repeat the same procedure to secure screws to 17 - 20 inch / lb torque.

