



## Overview

Capture the vibrant colors and slim profile of neon with Allanson's SkyLine LED Flexible Border Tubing. With greater flexibility to conform to numerous contours and desired shapes, SkyLine LED Flexible Border Tubes allow for an easy installation for any application.



Installation Manual



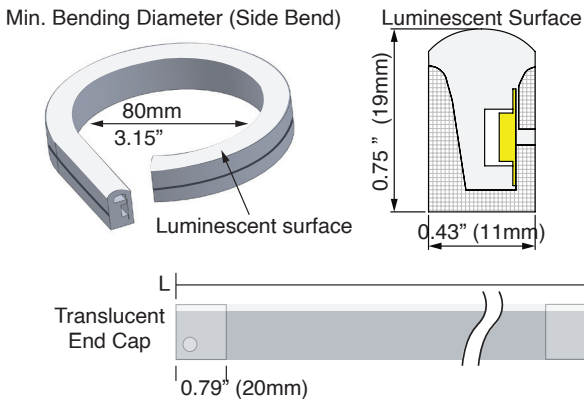
Where to Buy



## Features

- 11mm side-bendable tubing
- 5 static colors\* and RGB color changing options available
- Colored jacket that's visible even when powered off
- UV resistant silicone housing
- 3 ounce copper LED ribbon for better heat dissipation
- 2 wire pig tail lead for standard colors

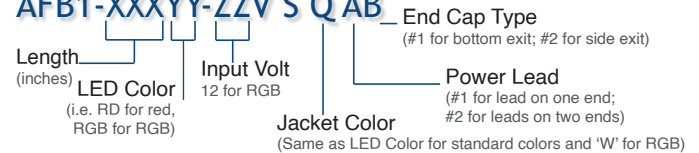
## Dimensions



## Specifications

Operating Temperature.....	-40°C ~ 50°C
Beam Angle.....	150°
Protection Class.....	IP67 outdoor rated
Voltage.....	DC 24V for standard   DC12V for RGB
Colors.....	Red (RD), Yellow (YL), Cool White 6500°K (CW) Blue (BL), Green (GR), and RGB
Cut Increments.....	RGB 1.64" (41.67mm) Standard 1.97" (50mm)
Packaging.....	RGB Anti-static bag per 16.4' (5m) reel with 10 clips Standard Anti-static bag per 19.7' (6m) reel with 12 clips
Installation Hardware.....	Clips included but not attached. Type of clips will be determined based on application
Part Number.....	Custom pre-cut: AFB1-XXXYY-ZZV S Q AB Field cuttable reel: AFB1-236YY-24V S Q AB
Warranty.....	3 Years

## AFB1-XXXYY-ZZV S Q AB



## Power Supplies Loading

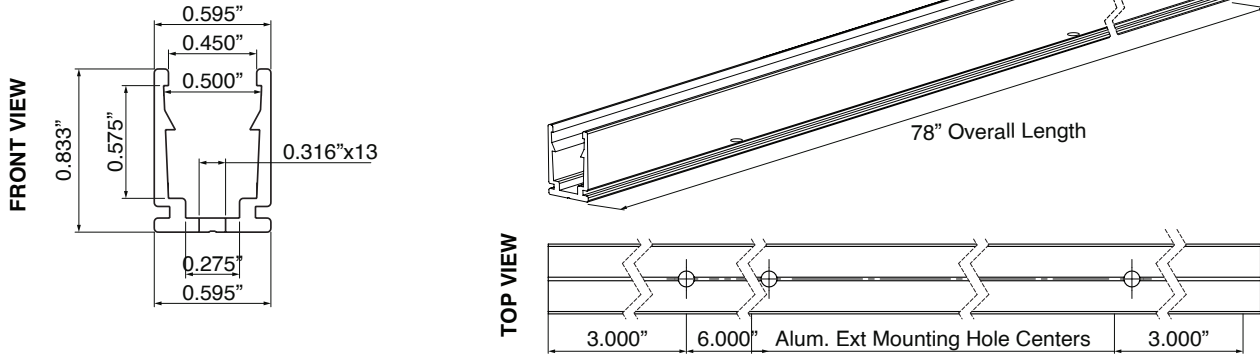
	Power Supply Part number	Output Watts	Input Voltage	Output Volts DC	Max. Capacity
12V	ACV125-120-277V	60W	120-277	12.0	16.4' (5m)
	ACV2125-120-277V	120W (60 + 60)	120-277	12.0	16.4' (5m) + 16.4' (5m)
	ACV3125-120-277V	180W (60 + 60 + 60)	120-277	12.0	16.4' (5m) + 16.4' (5m) + 16.4' (5m)
	CVW125-120-277V**	60W	120-277	12.0	16.4' (5m)
	CVW2125-120-277V**	120W (60 + 60)	120-277	12.0	16.4' (5m) + 16.4' (5m)
	CVW3125-120-277V**	180W (60 + 60 + 60)	120-277	12.0	16.4' (5m) + 16.4' (5m) + 16.4' (5m)
24V	CV244-120-277	96W	120-277	24.0	19.7' (6m)
	CVW244-120-277**	96W	120-277	24.0	19.7' (6m)
	CVW2244-120-277**	192W (96 + 96)	120-277	24.0	19.7' (6m) + 19.7' (6m)
	CVW3244-120-277**	288W (96 + 96 + 96)	120-277	24.0	19.7' (6m) + 19.7' (6m) + 19.7' (6m)

\*Custom colors upon request - minimum order quantity required

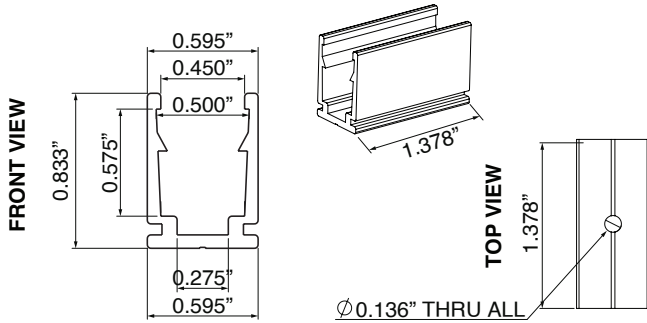
\*\*IP68 rated

**Mounting Hardware and Accessories**

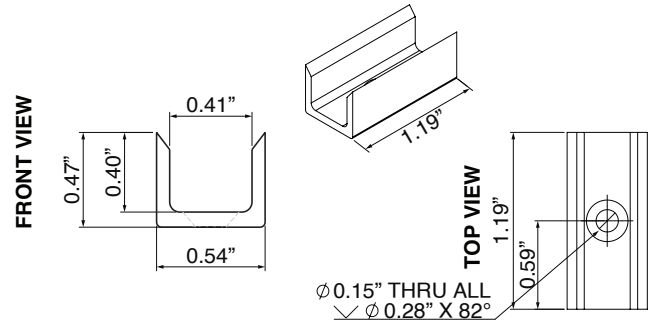
**Self-Locking Aluminum Mounting Extrusion for Straight Runs**



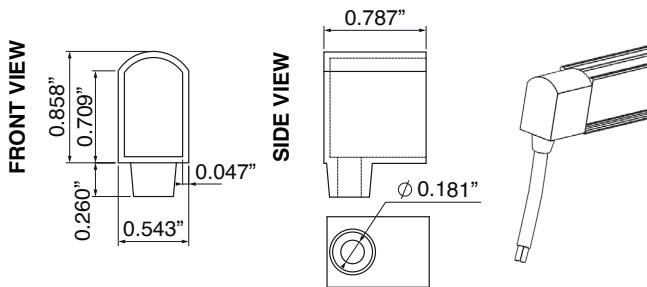
**Outdoor Self-Locking Aluminum Mounting Clip**



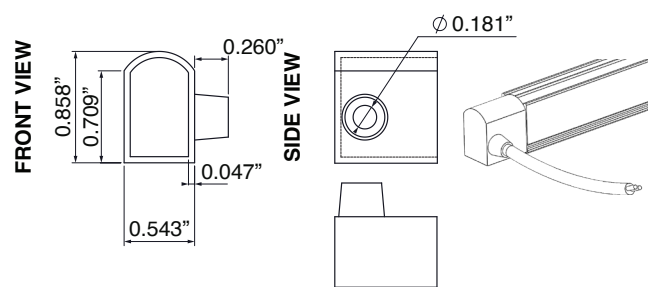
**Indoor Plastic Mounting Clip**



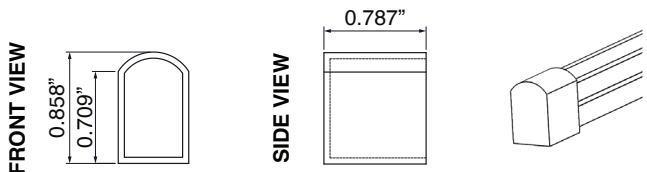
**Translucent End Cap Bottom Exit**



**Translucent End Cap Side Exit**



**Translucent End Cap No Exit**



For all your population layout services, please send files to [led@allanson.com](mailto:led@allanson.com) (acceptable file types include .ai, .eps, .dwg, or .dxf)

