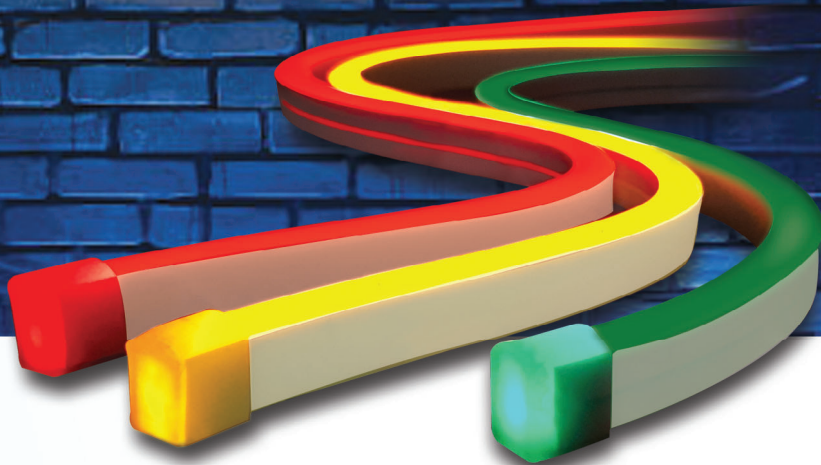


Skyline

Flexible Border Tube

Quality LED Solution
that Bends into Shape



Capture the vibrant colors and slim profile of neon with Allanson's New **SkyLine LED Flexible Border Tubing**. With greater flexibility to conform to numerous contours and desired shapes, SkyLine LED Flexible Border Tubes allow for easy installation onto any application.

RGB COLOR CHANGING OPTIONS AVAILABLE

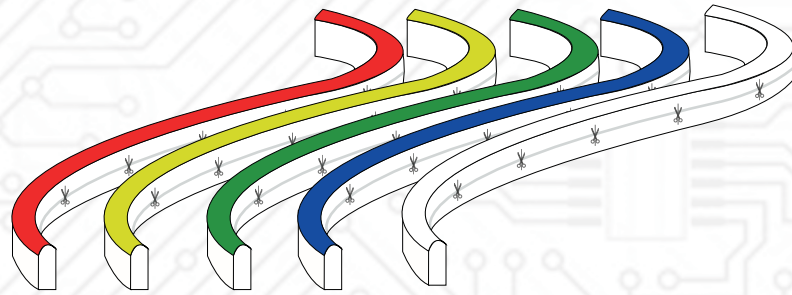
Tried | Trusted | True



ColorMix
Lighting Solutions by **Allanson**

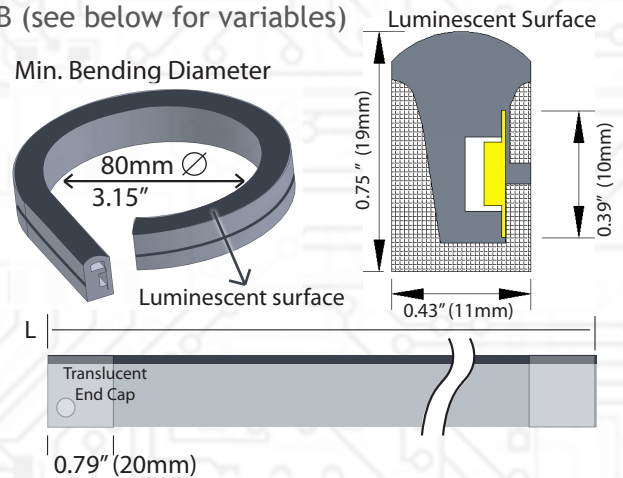
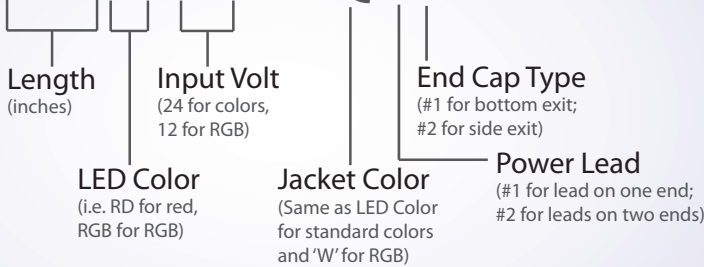
Flexible Border Tube

- LED flexible border tube solution
- Smooth surface bendable tubing
- 5 standard colors* and RGB color changing option
- Color jacket when not lit
- UV resistant silicone housing
- 3 ounce copper LED ribbon for better heat dissipation



Operating Temp: -40°C to 50°C
Beam Angle: 150°
Protection Class: IP67
Voltage: DC 24V for standard colors and DC12V for RGB
Power Capability: Standard colors max combined footage 19' 8" (6m) per Allanson 96W 24 VDC Power Supply
 RGB max combined footage 16' 4" (5m) per Allanson 60W 12 VDC Power Supply
Colors: **Red (RD), Yellow (YL), Cool White 6500° K (CW), Blue (BL), Green (GR), and RGB**
 *[Custom colors upon request - minimum order quantity required]
Cut Increments: 1.97" (50mm) for standard colors and 1.64" (41.67mm) for RGB
Packaging: Anti-static bag per 19' 8" (6m) reel with 12 clips for standard colors;
 Anti-static bag per 16' 4" (5m) reel with 10 clips for RGB
Installation Hardware: Clips included but not attached. Type of clips will be determined based on application
Part Number: *Custom pre-cut:* AFB1-XXXYY-ZZV S Q AB (see below for variables)
Field cuttable reel: AFB1-236YY-24V S Q AB (see below for variables)
Warranty: 3 years

AFB1-XXXYY-ZZV S Q AB

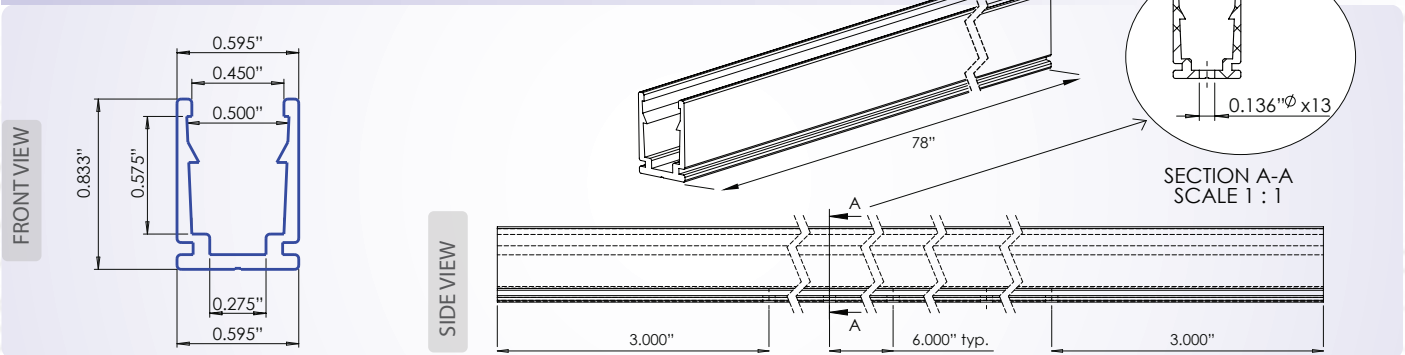


Power Supplies Loading

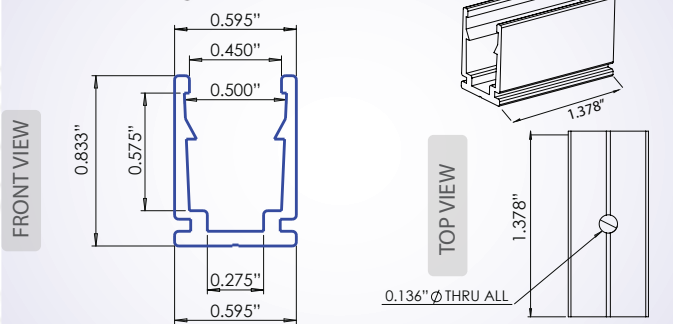
Flexible Border Tube	Power Supply Part Number	Output Watts	Input Voltage	Output Volts DC	Max. Capacity	
24 Volts DC Output						
24V	Standard Colors	CVW243-MV	72W	120-277	24	14' 9" (4.5 m)
	Standard Colors	CV244-120-277	96W	120-277	24	19' 8" (6 m)
12 Volts DC Output						
12V	RGB	CV125-120	60W	120	12	16' 4" (5 m)
	RGB	CV125-120-277	60W	120-277	12	16' 4" (5 m)
	RGB	CVL2125-120-277	120W (60 + 60)	120-277	12	16' 4" (5 m) + 16' 4" (5 m)
	RGB	CVL3125-120-277	180W (60 + 60 + 60)	120-277	12	16' 4" (5 m) + 16' 4" (5 m) + 16' 4" (5 m)
	RGB	CVW125-MV	60W	120-277	12	16' 4" (5 m)

Flexible Border Tube Mounting Hardware and Accessories:

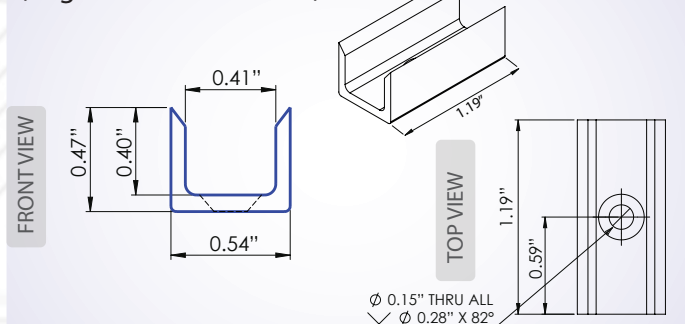
Self-Locking Aluminum Mounting Extrusion for straight runs (#07-967)



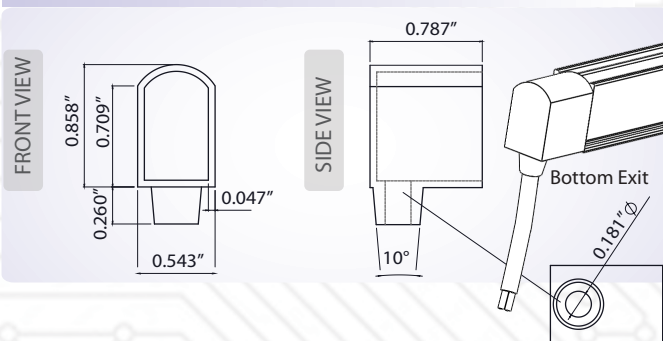
Outdoor Self-locking Aluminum Mounting Clip (#07-968) (Bag of 20 #AFB1-ACLIP)



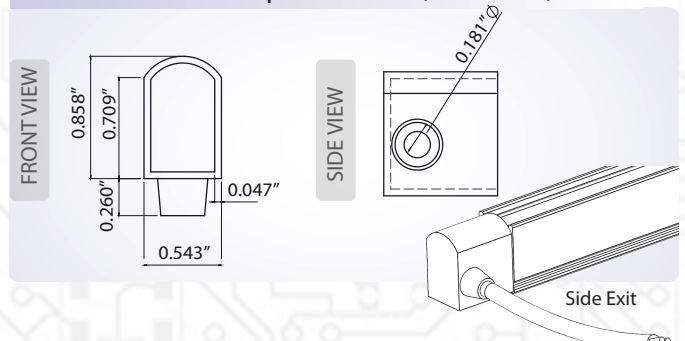
Indoor Plastic Mounting Clip (#07-969) (Bag of 20 #AFB1-PCLIP)



Translucent End Cap - Bottom Exit (#29-345C)

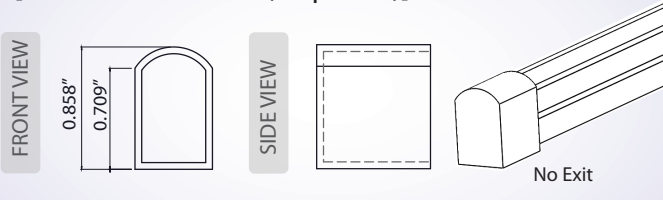


Translucent End Cap - Side Exit (#29-345B)



Translucent End Cap - NoExit (#29-345A)

[Kit #AFB1-29-345A (10 per kit)]



For all your population layout services,
please send files to led@allanson.com
(acceptable file types include .ai, .eps, .dwg, or .dxf)



Scan for

Installation

