

LED Wireless Driver

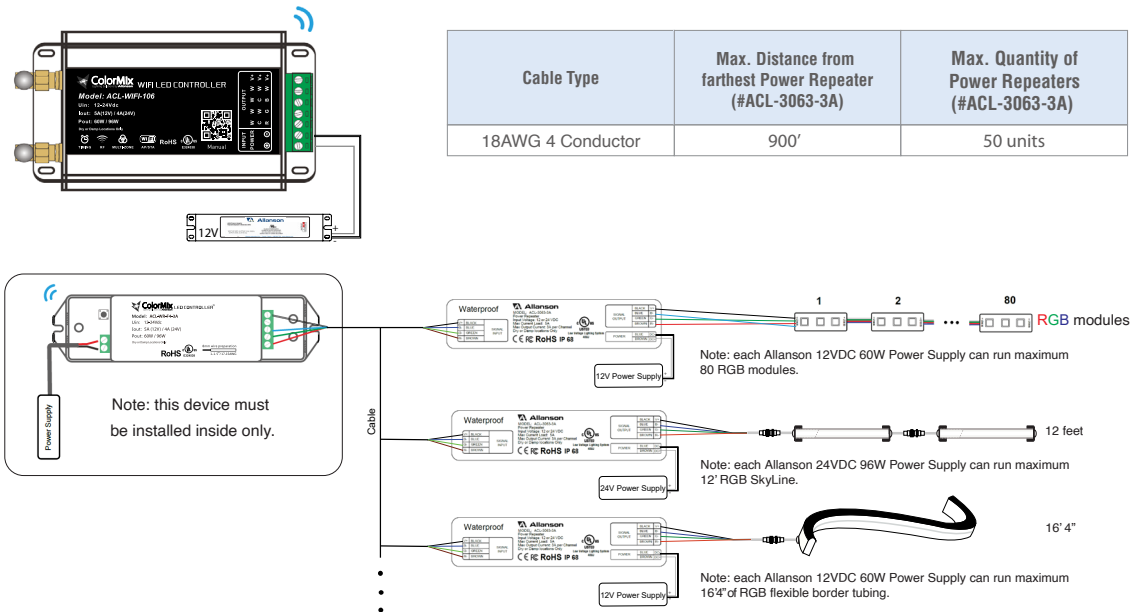
- RF 2.4GHz wireless signal, no need for signal cable
- Dimming, CT, RGB, RGBW LED lights can be controlled
- Compatible with F series remote
- Support APP if equipped with ACL-WIFI-106 gateway



ACL-WR-F4-3A



System Diagram



Specification

Model	ACL-WR-F4-3A
Name	CV LED wireless driver
Wireless signal	RF 2.4GHz
Input voltage	12-24Vdc
Output voltage	12-24Vdc
Current load	5A (12V) / 4A (24V)
Output power	60W / 96W
Protection	Reverse connection protection
Working temperature	-30°C-55°C
Product size	L125×W33×H20(mm)
Package size	L127×W35×H22(mm)
Weight(G.W.)	60g

