



# ColorMix

Lighting Solutions



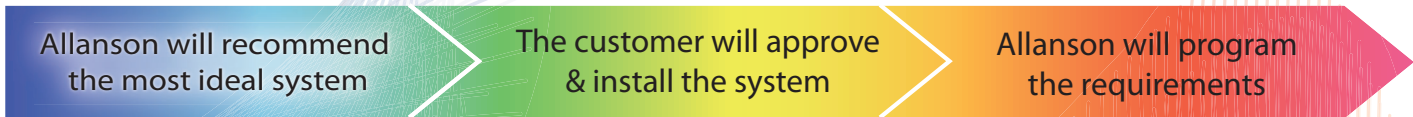
*Color Changing & Animating  
Lighting Solutions*



**Allanson**

# ColorMix Lighting Solutions

Create exciting lighting effects with Allanson's Color Changing and Animating Solutions. From concept to ColorMix, Allanson will guide you throughout the process to ensure that the desired outcome is achieved with simplicity and maximum efficiency.



The delivery process has simplified over time, allowing your customers to focus on the next big thing to grow their business. Allanson's approach will successfully contribute to this growth.

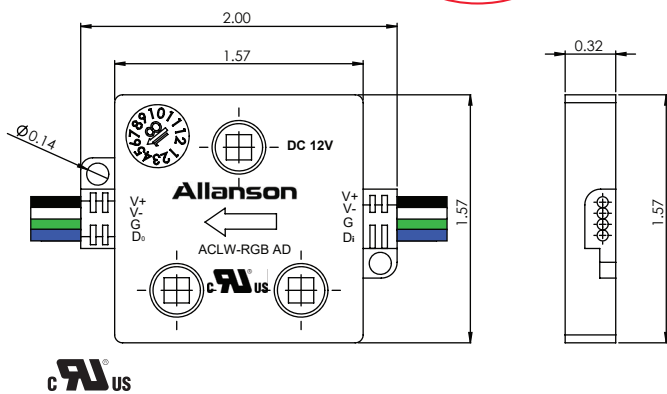
Allanson offers a variety of RGB modules, and Standard and RGB rigid border tubing options with numerous programming capabilities. Our full line of ColorMix solutions can be found in this catalogue.

## RGB Addressable System

Dynamic lighting effects with individually addressable modules. Customized programming available. No need for sub-controllers.



Specifications	
Part Number	ACLW-RGB AD 2
LED Colors	Red Green Blue
Input Voltage	DC 12V
Power Consumption/Mod	0.72 W
Beam Angle	110°
Dimensions	2.00" x 1.57" x 0.32"
Mod/Foot	2.5
Max Mod/60W Power Supply	80
Operating Temperature	-30°C to +60°C
Environmental rating	IP 67
Warranty	5 Years
Packaging	
Single Bag	40
Master Carton	800



Loading Recommendation	
CV125-120 BLK (60W)	80 modules
CV125-120-277V (60W)	80 modules
CV125-347 (60W)	80 modules
CV12125-MV (60W+60W)	80+80 modules

# Controllers - For RGB Addressable System



## Addressable Controller (ACL-ADC-SPI)\*

- Enormous capability of controlling up to 21000 modules
- 14 programs can be stored with SD card
- Day, hour, and minute time setting capability
- Maximum distance from controller to first module or between modules is 60 ft<sup>#</sup>
- 120 Volt AC power adaptor, channel adaptors, jumper cables, and SD card included

**Dimensions:** 7.75" L x 4.72" W x 1.85" H



## Addressable Pre-Programmed Controller (ACL-ADPPC)\*

- Controls from 8 to 360 modules
- 16 preset programs
- Adjust speed, direction and fade
- Maximum RF transmission distance is 130 ft line of sight
- Maximum distance from controller to first module or between modules is 60 ft<sup>#</sup>
- Wireless remote included
- Compact Size

**Dimensions:** 5.30" L x 1.18" W x 0.79" H



## DMX Master Controller (ACL-MC-DMX)\* + Signal Converter from DMX to SPI (ACL-DMXSPI)\*

- Capability of controlling up to 170 modules
- Stores up to 32 user defined programs
- Day, hour, and minute time setting capability
- DMX 512 protocol signal via XLR interface
- Speed, fade, and strobe adjustable
- USB programming interface
- Can be powered by 120 Volt AC adaptor (included) or USB port (optional)
- Maximum distance from converter to first module or between modules is 60 ft<sup>#</sup>
- Maximum distance from DMX master controller to converter is 200 ft<sup>##</sup>

**Dimensions (A):** 4.92" L x 2.52" W x 1.57" H

**Dimensions (B):** 7.13" L x 4.75" W x 1.56" H



\* Non weatherproof

# Using Allanson Signal Cable (ACL-DMX-CBL-100) can extend max distance from 60 ft to 100 ft

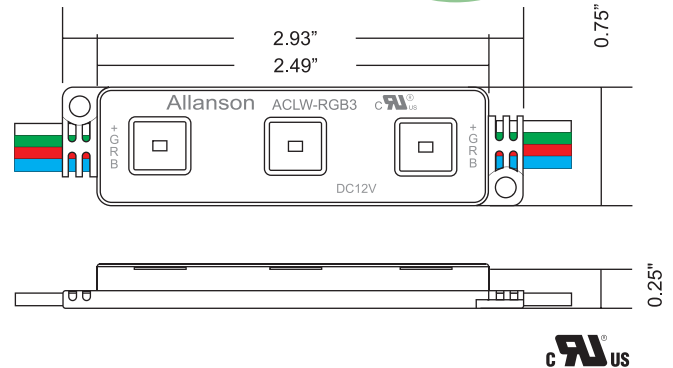
## Using Allanson Signal Cable (ACL-DMX-CBL-100) can extend max distance from 200 ft to 400 ft

# RGB3 System

Excellent tricolor emitter produces bright and efficient lighting effects. Customized programming available.



Specifications	
Part Number	ACLW-RGB3 40
LED Channels	Red Green Blue
Input Voltage	DC 12V
Power Consumption/Mod	0.72 W
Beam Angle	110°
Dimensions	2.93" x 0.75" x 0.25"
Mod/Foot	2.5
Max Mod/60W Power Supply	80
Operating Temperature	-30°C to +60°C
Environmental Rating	IP 67
Warranty	5 Years
Packaging	
Single Bag	40
Master Carton	960



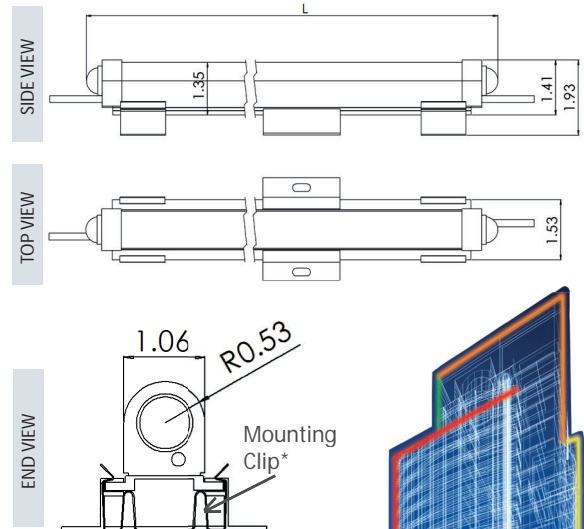
Loading Recommendation	
CV125-120 BLK (60W)	80 modules
CV125-120-277V BLK (60W)	80 modules
CV125-347 (60W)	80 modules
CV12125-MV (60W+60W)	80+80 modules

# SkyLine Rigid Border Tubing

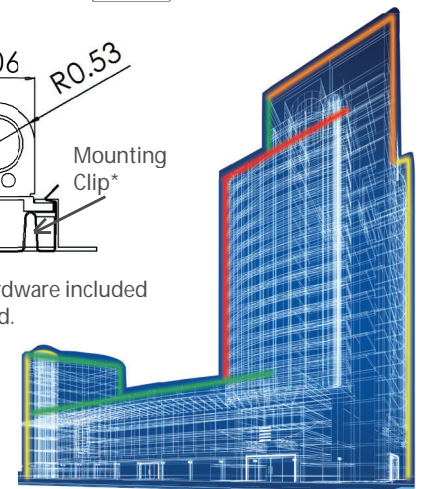
Easy mounting and non-bendable system with seamless connection. **Standard Colors, RGB Color Changing, and built-in RGB Color locking solutions available.** Customized sizing upon request.



Specifications			
Description	Standard SkyLine	RGB SkyLine	RGB SkyLock
Part Number	ARBT-XXYY	ARBT-XXRGB	ARBT-XXRGB LC
LED Channels	7 Standard Colors <sup>^</sup>	Red Green Blue	Red Green Blue
Input Voltage	DC 24V		
Power Consumption	2.4 Watt/Ft	7 Watt/Ft	Varies per color
Operating Temperature	-40°C to +70°C		
Environmental Rating	IP 67		
Warranty	5 Years		
Packaging			
Single Unit (Various Sizes)	Tubing		
Bulk Packaging	20 tubes in a box		
Loading Recommendation			
CV244-120-277 (96W)	37 ft	12 ft	Varies per color
CVW243-MV (80W)	28 ft	9 ft	Varies per color



\*Installation hardware included but not attached.



<sup>^</sup> Red, Yellow, Lemon Yellow, Orange, Blue, Green, and Cool White (6000K). Custom colors upon request.

# DMX & WIFI Controllers - For RGB3 System & RGB SkyLine



## Pre-Programmed DMX Master Controller (ACL-PPMC-DMX)\*

- 16 sub-controller capability
- 32 preset programs available
- Develop your own color with 255 level of each red, green, and blue
- Microphone for sound control
- Maximum distance from DMX master controller to sub-controller is 200 ft##
- Speed and intensity can be adjusted
- 120 Volt AC power adaptor included

**Dimensions:** 3.82" L x 2.36" W x 1.57" H



## DMX Master Controller (ACL-MC-DMX)\*

- 512 Channel, 170 sub-controller capability
- Links sub-controllers together
- Multiple signs can be addressed individually
- Stores up to 32 user defined programs
- Uses DMX 512 protocol signal via XLR interface
- Can be powered by 120 Volt AC adaptor (included) or USB port (optional)
- USB programming interface
- Day, hour, and minute time settings
- Speed, fade, and strobe adjustable
- Maximum distance from DMX master controller to sub-controller is 200 ft##

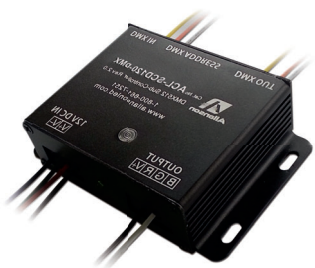
**Dimensions:** 7.13" L x 4.75" W x 1.56" H



## DMX Master Controller (ACL-ADC-SPI)\*

- 512 Channel, 170 sub-controller capability
- 14 programs can be stored with SD card
- Day, hour, and minute time setting capability
- Maximum distance from controller to sub-controller is 200 ft##
- 120 Volt AC power adaptor, and SD card included

**Dimensions:** 7.75" L x 4.72" W x 1.85" H



## Sub-Controller (ACL-SCD120-DMX)\*

- Runs up to 80 modules of RGB3 System or 12 ft of RGB SkyLine Rigid Border Tubing
- Uses 12 VDC or 24 VDC
- 5 built-in dip switch preset programs
- Operates independently or as part of a system

**Dimensions:** 4.06" L x 2.63" W x 1.13" H



## Sub-Controller (ACL-SC3C4A-DMX)\*

- Runs up to 80 modules of RGB3 System or 12 ft of RGB SkyLine Rigid Border Tubing
- Uses 12 VDC or 24 VDC
- 8 built-in dip switch preset programs
- Operates independently or as part of a system

**Dimensions:** 4.92" L x 2.52" W x 1.57" H



## WIFI Controller (ACL-WIFI-103)\*

- Controls up to 80 modules of RGB3 System or 12 ft of RGB SkyLine Rigid Border Tubing
- Power Amplifier ACL-3063-3A can control an extra 80 modules per unit or extra 12 ft of RGB SkyLine Rigid Border Tubing with the same lighting effects
- Stand-alone Non-DMX system
- Maximum wifi control distance is 320 ft using the smart phone app
- Numerous variables/interferences may influence wireless distance
- Maximum RF transmission distance is 95 ft line of sight via remote control
- 32 preset programs and 9 user defined colors via hand held remote control

**Dimensions:** 5.02" L x 2.87" W x 1.75" H

(Remote sold separately)

\* Non weatherproof

## Using Allanson Signal Cable (ACL-DMX-CBL-100) can extend max distance from 200 ft to 400 ft

# Accessories

*Note: signal cable(CAT-5) not supplied.*

## RGB Signal Booster (ACL-RGB-CATV-BOOSTER)\*

- Boosts the DMX signal an extra 400 ft when used with the Allanson Signal Cable or an extra 200 ft when used with the CAT5 Cable
- Multiple boosters can be used

**Dimensions:** 5.25" L x 2.75" W x 2" H



## SPI Signal Amplifier and Splitter (ACL-SPI-SA)

- Extends the SPI signal distance an extra 100 ft when used with the Allanson Signal Cable or an extra 60 ft when used with the CAT5 cable
- Multiple amplifiers can be used

**Dimensions:** 4" L x 1.25" W x 1.25" H



## DMX512/Network Converter (ACL-ARTNET-DMX)\*

- Sending DMX signal over IP networks
- Can be configured in two ways: DMX512 to Network or Network to DMX512

**Dimensions:** 7.80" L x 3.07" W x 1.97" H



## Power Repeater (ACL-3063-3A)

- IP68 Waterproof
- Constant Voltage power repeater
- Duplicates RGB signal
- Multiple repeaters can be used

**Dimensions:** 6.42" L x 1.38" W x 1.10" H



## DMX512/Network Converter (ACL-ARTNET-OPENID)\*

- Same as ACL-ARTNET-DMX, except open IP range configuration

**Dimensions:** 5.12" L x 2.36" L x 1.58" H



## Signal Cable (ACL-DMX-CBL-100)

- Shielded 3 wire signal cable
- 100 ft per spool
- UL Recognized



# Accessories For Wireless

*Note: numerous variables/interferences may influence wireless distance.*

## Wireless Options Between Controllers

### DMX Wireless Kit (ACL-DMX-WLS)\*

- Wireless DMX signal transmitter and receiver with 3 pin XLR connector
- Max 320 ft wifi signal range for open area



### DMX Wireless Receiver (ACL-DMX-WLS-RECEIVER)\*

- Wireless DMX signal receiver works with ACL-DMX-WLS transmitter
- Multiple receivers can be used with one transmitter



## Wireless Options for ACL-WIFI-103

### Remote Control for ACL-WIFI-103 (ACL-T3-RC)\*

- Full color touch panel
- RF transmission distance is 95 ft line of sight
- 32 preset programs and 9 user defined colors

**Dimensions:** 6.61" L x 3.78" W x 1.34" H



### Constant Voltage Receiving Controller for ACL-WIFI-103 (ACL-T3-CV)\*

- Wireless receiver with built-in antenna
- Max wireless distance is 200 ft open area

**Dimensions:** 7" L x 1.90" W x 1.30" H





Scan to watch  
ColorMix Video

## WARRANTY

Allanson provides a 5 year warranty on complete ColorMix Lighting Systems. For more information, please contact Customer Service.

### Customer Service

83 Commerce Valley Dr. E., Markham, ON L3T 7T3  
cservice@allanson.com  
T: 1.800.661.7251 | F: 1.416.752.6717

[www.allanson.com](http://www.allanson.com)



**ColorMix**  
Lighting Solutions

***For estimations and customized programming  
inquiries contact your Sales Professional and send  
.ai or .eps vector files to [RGB@allanson.com](mailto:RGB@allanson.com)***



**Allanson**

Information provided is subject to change without notice.