



Allanson



Power Supply

Compact and Low Profile

- Low profile at 1.4" to fit under the tube
- Solid fill provides maximum water resistance
- White enclosure prevents shadowing
- Self-adjusting output voltage
- Open circuit protection
- Overload protection
- Universal mounting holes
- Surge protection
- Grounded mounting foot
- 25" Silicone GTO leads
- UL and cUL 2161 compliant
- 2 year warranty

 **ENERGY SAVINGS**
LOOK FOR THIS MARK SIGNIFYING
ENERGY SAVING PRODUCTS
FROM ALLANSON.



NEON - 07-18

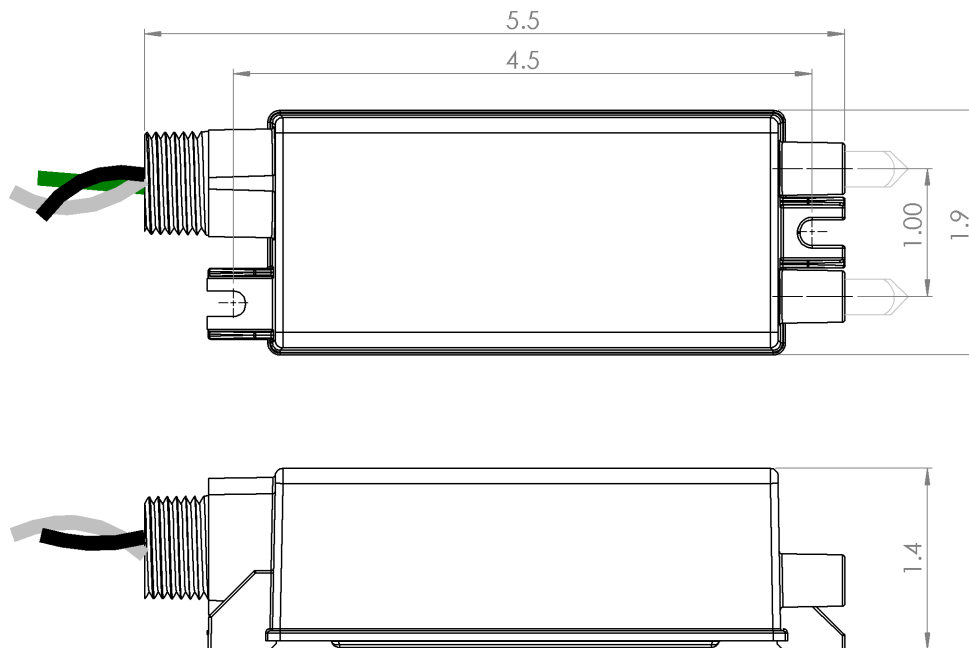
 **POW-R-PAK™**



Allanson

NEON Power Supply

Specifications	
Part Number	SS4350X
Secondary Voltage	2kV - 4kV
Secondary mA	35 mA
Primary Volt	120 V
Weight	1 lb
Operating Temperature	-30°C to +40°C
Dimensions	5.5" x 1.9" x 1.4"
Warranty	2 Years



Visit us at www.allanson.com

CUSTOMER SERVICE
Phone 1-800-661-7251
Fax 1-416-752-6717
Email cservice@allanson.com

 **POW-R-PAK™**



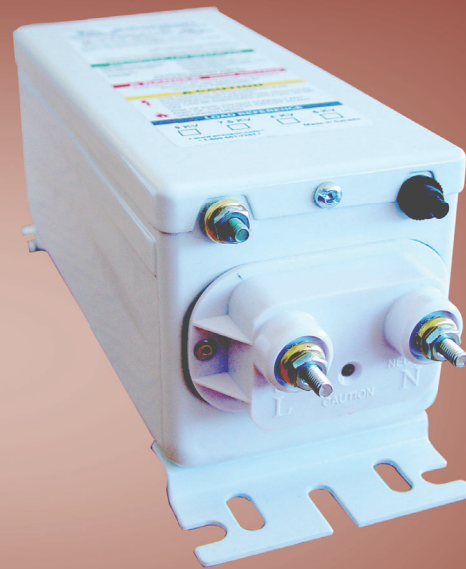
Allanson

Uni-Serve

Neon Service Transformers



101530BPX120R



5930CPX120R

Self-Adjusting Neon Transformers

Product Details

- 10-15 KV unit replaces 10,500V / 12,000V / 15,000V ratings
- 5-9 KV unit replaces 5,000V / 6,000V / 7,500V / 9,000V ratings
- Available in Standard and Enclosed Case
- 120V, 60hz, normal P.F.
- Poly-resin filled
- 2 year warranty

Uni-Serve

User Friendly Ground Fault Protection

Service Button: Allows the secondary ground fault protection (SGFP) mode to be by passed for approximately 30 minutes. Note: The LED will blink Red if the unit has tripped and is not properly grounded. To prevent electrical shock hazard, the unit will not enter the by pass mode while improperly grounded.

Auto-Reset: The transformer will attempt to reset itself 3 times. The reset feature will help avoid nuisance tripping. The reset interval is approximately 3 seconds.

Diagnostic LED Operation:

LED Mode

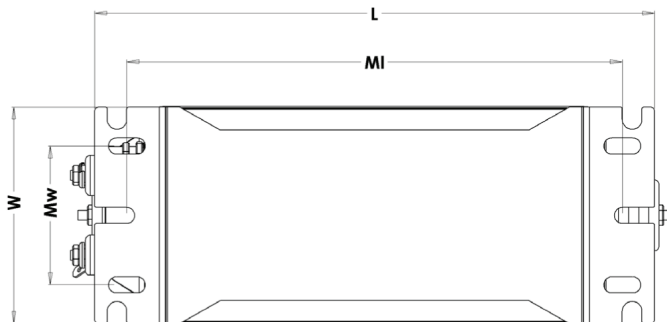
- LED Off
- Continuous Flashing
- 1 Flash, Long Pause
- 2 Flashes, Pause
- 3 Flashes
- LED ON
- To reset transformer, cycle power off and on

Root Cause

- Normal Operation
- Secondary Fault
- Transformer overheated
- Transformer case missing service ground
- L&N reversed (347 unit only)
- Transformer in bypass service mode

Specifications

	Catalogue Number	Secondary		Primary V.A.	Input Amps	Housing					Wt. Lbs.
		Volts	mA			L	W	H	MI	Mw	
30 mA	101530BPX120R	15 KV	30	450	3.75	10.88"	4.20"	5.30"	9.62"	2.71"	20
	5930CPX120R	9 KV	30	270	2.25	10.03"	3.69"	3.92"	9.06"	2.99"	12



MI = Mounting Length
Mw = Mounting Width
L = Overall Length
W = Overall Width



Allanson

Aluma-Pak Outdoor

*Packed in Metal to
Work on Metal*



*Your 35mA and 60mA
Channel Letter Solutions*

Product Details

- Extruded case and solid fill provide maximum water resistance
- The most advanced SGFI technology available
- Auto reset bypass and LED display
- 1.5" height ensures easy fit for under neon tube letter applications
- 90% lighter than equivalent magnetic
- 36" leads, sleeveless GTO15
- UL Listed, CSA Approved
- 60mA in our AlumaPak Case ensures dependable individual letter mercury tube performance (SS660 OX)
- The most advanced ground fault circuit protection technology available



TRANSFORMERS-06-12



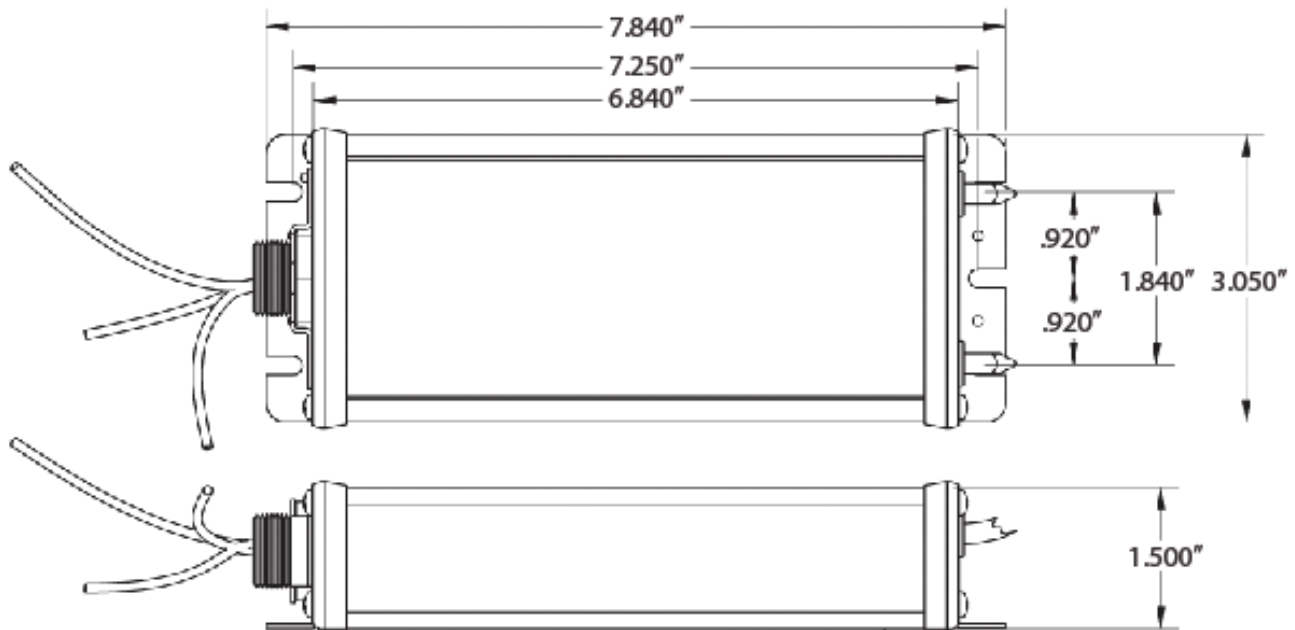


Allanson

Aluma-Pak Outdoor

Specifications

Part number	Secondary Voltage	Secondary mA	Primary Volt	Primary AMP	VA	Weight (lbs)
SS1235OX	2kV-12kV	35	120	2.5	300	2.2
SS935OX	2kV-9kV	35	120	2.1	250	2.2
SS660OX	2kV-6kV	60	120	1.7	200	2.2





Allanson

PLASTI-PAKTM INDOOR

Allanson's Plasti-Pak Indoor Neon Transformers for Skeleton Tubing P.O.P Applications.

- Proven SGFI technology – provides problem free sign operation
- Intelligent diagnostic ground fault and open circuit protection - simplifies service
- Smaller 3" w x 6" l x 1.5" h size – allows for more indoor sign installation options
- 24" leads and sleeveless GT015 – eliminates additional sleeving



ENERGY SAVINGS
LOOK FOR THIS MARK SIGNIFYING
ENERGY SAVING PRODUCTS
FROM ALLANSON.

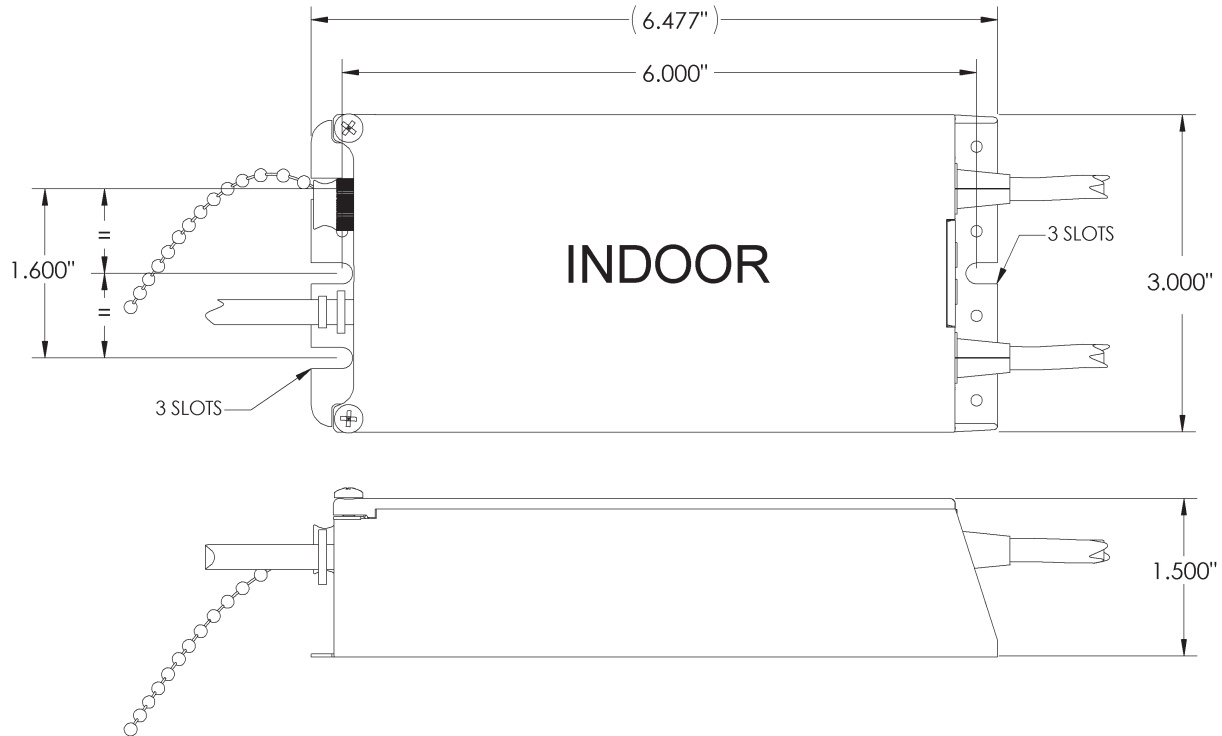


Transformers



Allanson

Plasti-Pak Indoor



Specifications

Catalog Number	Secondary Voltage	Secondary mA	Primary Volt	Primary AMP	VA	Wt. lbs
SS1235ICH	2kV – 12kV	35	120	2.5	300	1.9
SS935ICH	2kV – 9kV	35	120	1.5	100	1.9
SS635ICH	2kV – 6kV	35	120	1.0	65	1.9



Allanson

Protector™ X

Exceptional
performance
in all grounding
conditions.



FEATURES	BENEFITS
Three automatic re-settings	Eliminates nuisance tripping, saving cost of service calls
By-pass service button	Simplifies fault finding during service call
Automatic memory reset	Nuisance trips do not accumulate, eliminating unnecessary service calls
Works under any wiring polarity or grounding condition	Keeps your customer happy by eliminating needless and frustrating service calls
Same case size & footprint	Like for like field changeover for non-protected transformers
One size hardware, one size tool fits all	Quick and easy installation
All information on one colored label	Ratings and diagnostics are easier to read



Protector™ X

**Standard Outdoor Style, Heavy Duty Outdoor Non-Weatherproof
Normal Power Factor 120/277/347 Volts–60 Hertz**

120V		277V		347V		VA	Secondary kV-mA	WT lbs.
Part No.	Line Amp	Part No.	Line Amp	Part No.	Line Amp			
1530BPX120	3.75	1530BPX277	1.62	1530BPX347	1.30	450	15-30	22
1230BPX120	3	1230BPX277	1.30	1230BPX347	1.04	360	12-30	22
1030BPX120	2.62	1030BPX277	1.14	1030BPX347	0.91	315	10.5-30	22
930CPX120	2.25	930CPX277	0.97	930CPX347	0.78	270	9-30	13
7530CPX120	1.88	7530CPX277	0.81	7530CPX347	0.65	225	7.5-30	13
630C120	1.5	—	—	—	—	180	6-30	13
530C120	1.33	—	—	—	—	160	5-30	13
430C120	1.17	—	—	—	—	140	4-30	13
330C120	0.83	—	—	—	—	100	3-30	13

Protector™ Measurements

Overall	L	W	H	M _L	M _w
11	9	4 ³ / ₈	5 ³ / ₈	10	2 ¹ / ₂
11 ¹ / ₈	9 ¹ / ₂	5 ³ / ₈	6 ¹ / ₂	10 ¹ / ₈	2 ¹ / ₂
11 ¹ / ₄	9	4 ³ / ₈	6 ³ / ₈	10 ¹ / ₄	2 ¹ / ₂

