

LED Saber²

SPECIFICATIONS GUIDE

- Available in 1', 2', 3', 4', 5' and 6' lengths
- Safe and efficient 24V system
- IP 67 outdoor rated
- Wet location rated - exterior mounting capability
- Improved brightness (40% more than first generation)
- Focused 30° beam angle
- Operating temperature: -30°C to +50°C (-22°F to +122°F)
- Pre-assembled sturdy mounting hardware
- Excellent heat dissipation with extruded aluminum casing



Specifications

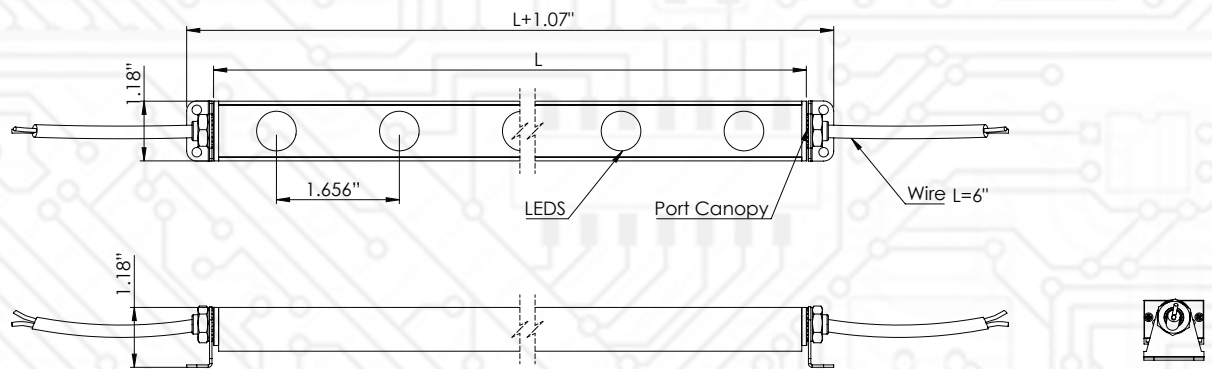
Part number	Length	Volts	Watts	No. of LEDs	Color Temperature ¹	Lumens
APS2-12CW-30	10"	24 VDC	7.5W	6	6500°K	925
APS2-24CW-30	22"	24 VDC	15W	12	6500°K	1850
APS2-36CW-30	34"	24 VDC	22W	18	6500°K	2775
APS2-48CW-30	46"	24 VDC	30W	24	6500°K	3700
APS2-60CW-30	58"	24 VDC	37W	30	6500°K	4625
APS2-72CW-30	70"	24 VDC	44W	36	6500°K	5550

Power Supplies Loading

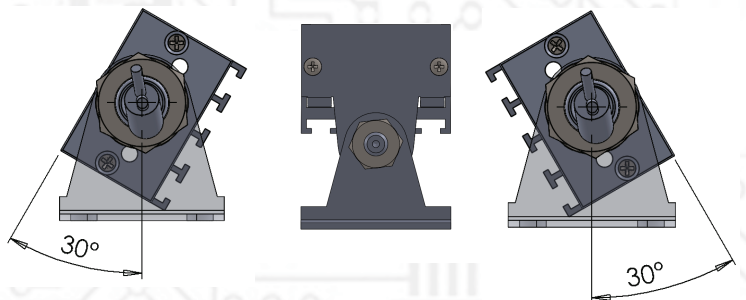
Part number	CVW243-MV**	CV244-120-277V**
APS2-12CW-30	8	10
APS2-24CW-30	4	6
APS2-36CW-30	3	4
APS2-48CW-30	2	3
APS2-60CW-30	1	2
APS2-72CW-30	1	2

* Custom color temperature available upon request

** 80% to 85% load factor for combination of strips



Rotation flexibility for multiple angle adjustments to fit custom applications.



 **Allanson**



CUSTOMER SERVICE cservice@allanson.com | 1.800.661.7251 | www.allanson.com