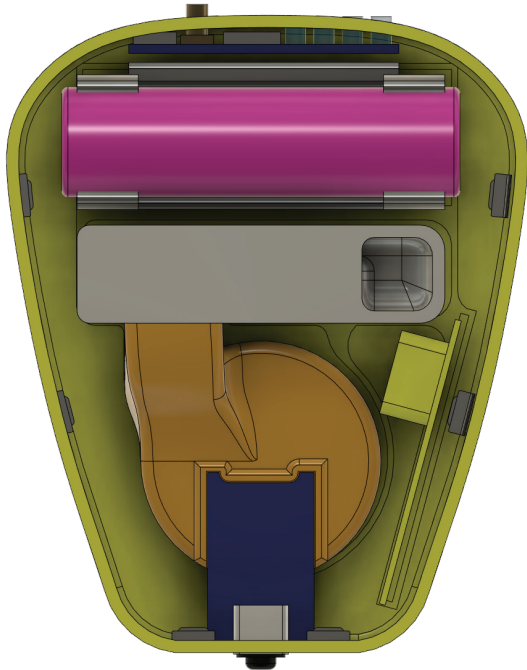


Allanson AirLock UV



UVC cartridge for half and full-face respirator systems with two stage filtration and sterilization, intended to provide protection against many types of airborne respiratory hazards.

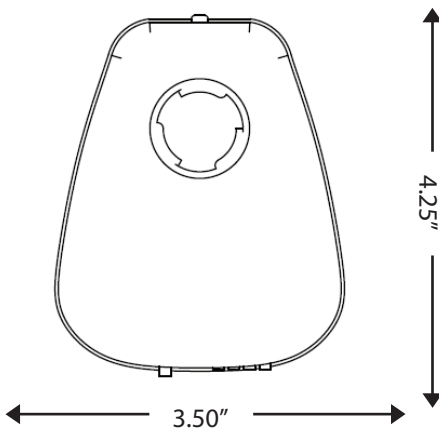
Airlock UV uses a standard (N95) pre-filter to capture large particulate matter, and UVC light that inactivates smaller pathogens. With each breath that the worker takes, the air passes through the pre-filter, then it enters an internal UV light chamber that bombards any pathogen that escapes the pre-filter with UVC light at wavelengths that are effective at damaging proteins. The UV metal chamber allows for the UVC light to target the pathogens numerous times and from various angles to maximize effectiveness.

Features

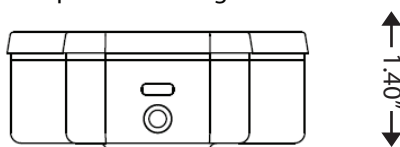
- Two stage air purification including N95 pre-filter and UVC light
- N95 pre-filter traps large sized particles
- An enclosed chamber with UVC lamp disinfects the air once it passes through the N95 pre-filter
- AirLock UV uses a proprietary polished metal chamber that has been designed and tested to provide maximal irradiation with minimal work of breathing
- Integrated battery delivers >8h of protection on a full charge
- USB type C integrated charging
- LED power indicator
- Battery indicator LED to detect battery level
- Designed to meet and exceed NIOSH Standards for breathing rates
- Similar weight to existing fibre/paper filter technologies
- Easy filter replacement
- Ozone-free UVC lamp

Product Dimensions

UVC Respirator Cartridge Front View



UVC Respirator Cartridge Side View



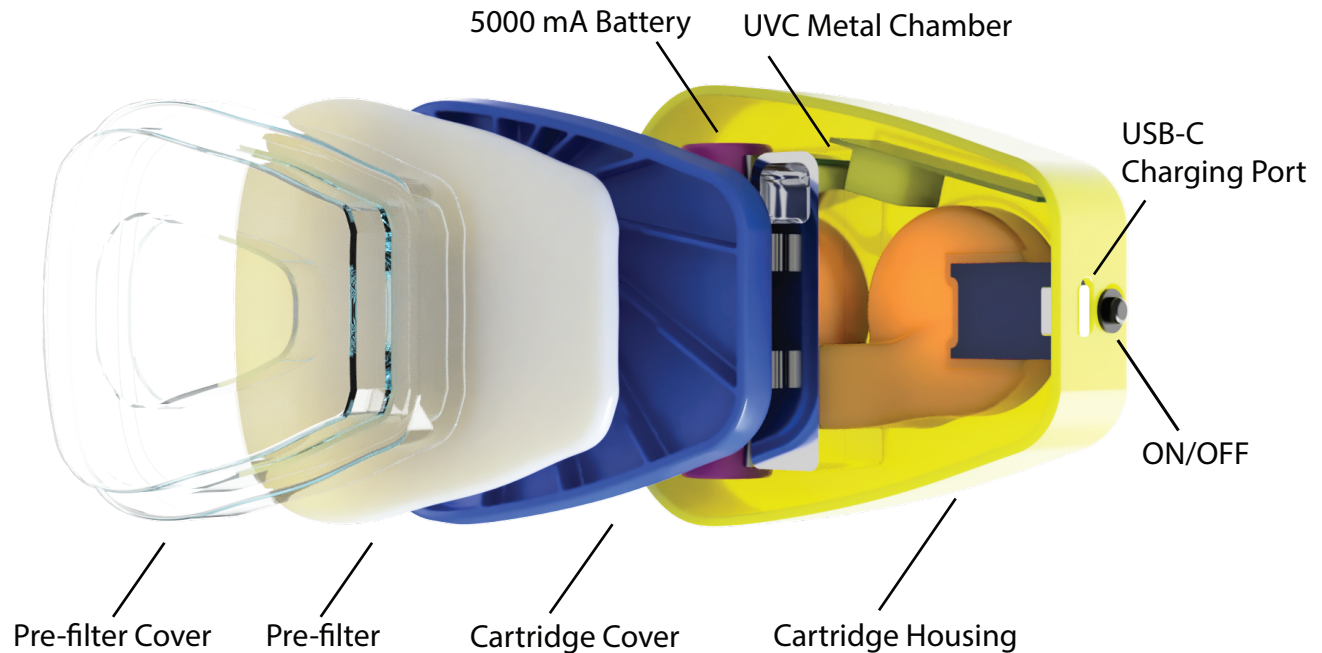
Applications

Designed to work with half face or NATO protective masks in environments where airborne hazards exist, including:

- Confined spaces
- Medical staff
- Mining
- Work in busy/crowded areas
- EMS / Military



Allanson AirLock UV Components View



Technical Specifications

Dimension (inches)	4.25" x 3.50" x 1.40" (L x W x H)
Dimension (cm)	10.80 cm x 8.89 cm x 3.56 cm (L x W x H)
Weight	155 g
Enclosure	UV-resistant ABS
Power Input	3.7 V
Energy Consumption	1W
Operating Temp.	0°C to 50°C

Sterilization	UVC Lamp x 1
	Dimension (inches): 1.77" x 0.31" x 0.16" (L x W x H)
	Dimension (mm): 45.00 mm x 7.87 mm x 4.06 mm (L x W x H)
	Power: 1W
Filtration	Pre-filter: N95 x 1 (3M 501 compatible)

Ordering Information

Part #	Description
AALUV	Allanson AirLock UV Cartridge