

HIGHLY EFFECTIVE  
N95 FILTER + UVC  
AIR PURIFICATION

# Allanson AirLock UV

*Locked and loaded to purify your air*



**Keep your workers safe and purify the air they breathe with UVC technology.** Paper and fibre respirator technologies simply trap viruses and bacteria – UVC light breaks them down! With Allanson's AirLock UV respirator cartridge, your workers can use existing respirator systems in a whole new way. Ideal for extended use (>8h) once fully charged, Airlock UV has been carefully designed, engineered and tested to provide maximum protection with minimum breathing effort.

**Integrated USB-C charging and battery level LED array** provide simple, long lasting UVC support to the N95 pre-filter. Unique in its class – Airlock UV combines traditional respirator technologies (N95/bayonet-style 3M-compatible connectors) with tried-and-true technology for a modern approach to air purification.

## BENEFITS

- ▶ 2 stage filtration and sterilization process
- ▶ Easily works with existing respirator technologies
- ▶ Works with various pre-filters using industry-standard form factors
- ▶ Provides workers with confidence when working in crowded or unsanitary spaces
- ▶ Convenient USB-C integrated charging
- ▶ Integrated battery delivers >8h of protection on a full charge

MADE IN  
CANADA



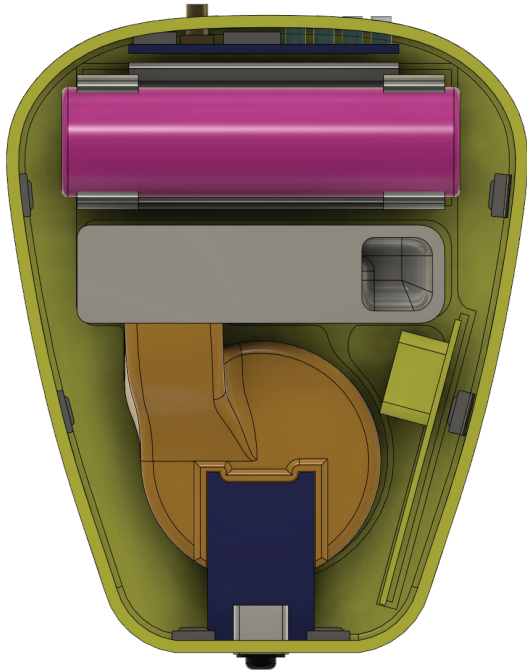
Provides clean fresh air  
for confined indoor spaces



 **Allanson**

cservice@allanson.com • 1.800.661.7251 • www.allanson.com

## Allanson AirLock UV



UVC cartridge for half and full-face respirator systems with two stage filtration and sterilization, intended to provide protection against many types of airborne respiratory hazards.

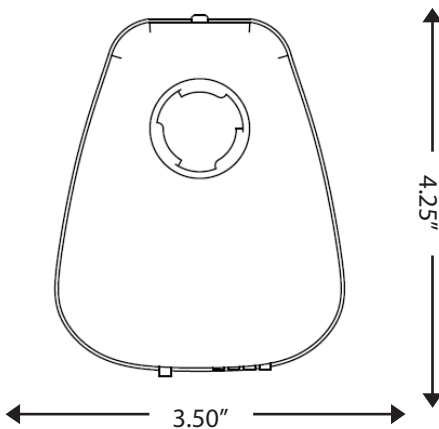
Airlock UV uses a standard (N95) pre-filter to capture large particulate matter, and UVC light that inactivates smaller pathogens. With each breath that the worker takes, the air passes through the pre-filter, then it enters an internal UV light chamber that bombards any pathogen that escapes the pre-filter with UVC light at wavelengths that are effective at damaging proteins. The UV metal chamber allows for the UVC light to target the pathogens numerous times and from various angles to maximize effectiveness.

### Features

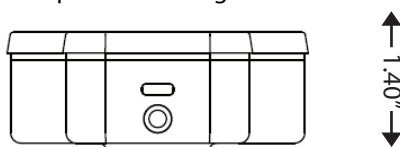
- Two stage air purification including N95 pre-filter and UVC light
- N95 pre-filter traps large sized particles
- An enclosed chamber with UVC lamp disinfects the air once it passes through the N95 pre-filter
- AirLock UV uses a proprietary polished metal chamber that has been designed and tested to provide maximal irradiation with minimal work of breathing
- Integrated battery delivers >8h of protection on a full charge
- USB type C integrated charging
- LED power indicator
- Battery indicator LED to detect battery level
- Designed to meet and exceed NIOSH Standards for breathing rates
- Similar weight to existing fibre/paper filter technologies
- Easy filter replacement
- Ozone-free UVC lamp

### Product Dimensions

UVC Respirator Cartridge Front View



UVC Respirator Cartridge Side View



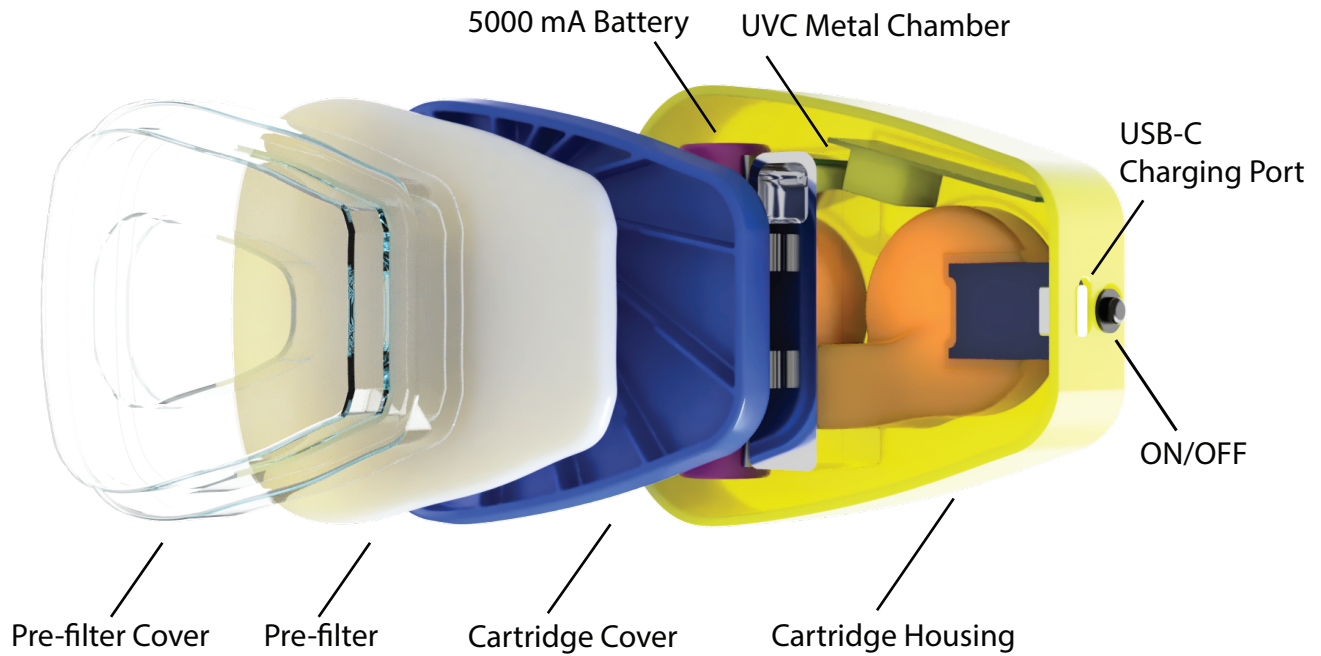
### Applications

Designed to work with half face or NATO protective masks in environments where airborne hazards exist, including:

- Confined spaces
- Medical staff
- Mining
- Work in busy/crowded areas
- EMS / Military



## Allanson AirLock UV Components View



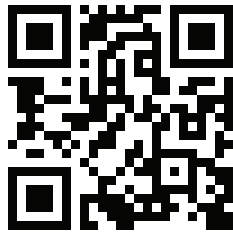
## Technical Specifications

<b>Dimension (inches)</b>	4.25" x 3.50" x 1.40" (L x W x H)
<b>Dimension (cm)</b>	10.80 cm x 8.89 cm x 3.56 cm (L x W x H)
<b>Weight</b>	155 g
<b>Enclosure</b>	UV-resistant ABS
<b>Power Input</b>	3.7 V
<b>Energy Consumption</b>	1W
<b>Operating Temp.</b>	0°C to 50°C

<b>Sterilization</b>	UVC Lamp x 1
	Dimension (inches): 1.77" x 0.31" x 0.16" (L x W x H)
	Dimension (mm): 45.00 mm x 7.87 mm x 4.06 mm (L x W x H)
	Power: 1W
<b>Filtration</b>	Pre-filter: N95 x 1 (3M 501 compatible)

## Ordering Information

Part #	Description
<b>AALUV</b>	Allanson AirLock UV Cartridge



Scan for more  
AirLock UV



[cservice@allanson.com](mailto:cservice@allanson.com) • 1.800.661.7251 • [www.allanson.com](http://www.allanson.com)