

ARBT **SKYLINE RIGID
BORDER TUBING**

*Designed for Architectural Impact.
Built for Precision. Engineered to Last.
Elevate your Architectural Design Today!*





SKYLINE RIGID BORDER TUBE

Field-Cutttable - With NEW Clear Strip For Unmatched Precision



Allanson's Skyline Rigid Border Tubing is engineered for installers who need reliability, durability, and the ability to adapt on-site. Our newest generation now features a **Clear-Cutting Strip**, giving sign pros a perfectly visible reference point to identify LED placement—**resulting in faster, cleaner cuts and a more seamless installation experience.**



CLEAR CUTTING STRIP (NEW)

A visible guide along the tube makes it **easy to locate LEDs and mark exact cut points**—**reducing guesswork** and ensuring every modification is clean and consistent.



DURABLE ALL-WEATHER CONSTRUCTION

UV-resistant polycarbonate housing and **IP67-rated construction ensure reliable performance**, resisting UV exposure, temperature changes, and demanding environments while **remaining fully compatible with dimming controls.**



TRUE FIELD-CUTTABLE EFFICIENCY

Take control of your install - Cut, match, and **install tubing lengths directly at the job site.** Perfect for retrofits, service work, and custom commercial signage builds.



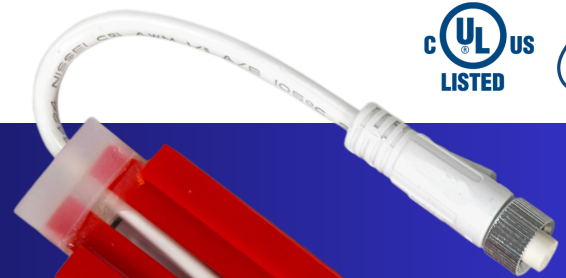
HIGH-PERFORMANCE ILLUMINATION

Skyline delivers smooth, even illumination with **no hot spots, using high-quality polycarbonate housing** and translucent end caps to elevate brand visibility and enhance architectural lines.



Built For Installers Who Demand Quality & Accuracy

Experience the new Skyline Field-Cutttable Rigid Border Tubing with Clear Cutting Strip.



+1-800-661-7251



www.allanson.com

Skyline



Overview

Allanson's LED SkyLine Rigid Border Tubing provides top of the line LED systems that complement and enhance the appearance of your building. With Allanson Skyline, the sky's the limit!

For custom cut lengths or specific project requirements, please contact your local Allanson representative by scanning the "Where to buy" QR code.



Installation Manual



Where to Buy

*Mellow Yellow: Available upon request.

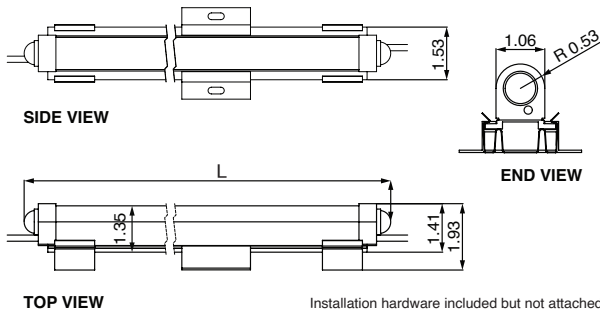
Specifications

Operating Temperature.....	-40°C ~ 70°C / -40°F ~ 158°F
Protection Class.....	IP67 outdoor rated
Voltage.....	DC 24V
Colors.....	Red (RD), Yellow (YL), Cool White 6000K (CW) Blue (BL), Green (GR), Orange (OR), Mellow Yellow (MY)*, and RGB
Power Consumption.....	2.3W/ft for standard colors and 7W/ft for RGB
Installation Hardware.....	Stainless steel snap clip, aluminum slide clip, wire retainer clip, wire nuts
Warranty.....	5 Years
Total Length (in) Outside Ø.....	98.20" for standard colors 74.10" for RGB
Custom Pre-Cut.....	ARBT-XXYY (XX denotes length, YY denotes color)
Full Length Standard Color P/N.....	ARBT-98YY (YY denotes color)
Full Length RGB P/N.....	ARBT-74RGB

Features

- 7 static colors and RGB color changing options available
- Unique, non-yellowing end caps allow for thermal expansion and uniform illumination with no dead spots for a clean, sleek look
- Stainless steel retention/mounting clips and aluminum slide attachments for easy mounting
- Rigid UV resistant polycarbonate housing
- Dimmable with the use of LED Dimmer part #ACL-12/24V-DMR
- Rigid Border Tubing is field cuttable with cut kit
- All border tubing come with watertight connectors

Dimensions



Installation hardware included but not attached

Power Supplies Loading

	Power Supply Part number	Output Watts	Input Voltage	Output Volts DC	Max. Capacity
Standard	CV244-120-277	96W	120-277	24.0	41' (12.4m)
	CVW244-120-277***	96W	120-277	24.0	41' (12.4m)
	CVW2244-120-277***	192W (96 + 96)	120-277	24.0	41' (12.4m) + 41' (12.4m)
	CVW3244-120-277***	288W (96 + 96 + 96)	120-277	24.0	41' (12.4m) + 41' (12.4m) + 41' (12.4m)
RGB	CV244-120-277	96W	120-277	24.0	13' (3.9m)
	CVW244-120-277***	96W	120-277	24.0	13' (3.9m)
	CVW2244-120-277***	192W (96 + 96)	120-277	24.0	13' (3.9m) + 13' (3.9m)
	CVW3244-120-277***	288W (96 + 96 + 96)	120-277	24.0	13' (3.9m) + 13' (3.9m) + 13' (3.9m)

***Based on 100% load (recommended 80%)

**Custom colors upon request - minimum order quantity required

***IP68 rated



Elevate your architectural design. Shine brighter. See the difference with Allanson's Rigid Border Tube lighting solutions.



PRECISION LIGHTING FOR ARCHITECTURAL EXCELLENCE

Allanson's Skyline Rigid Border Tubing delivers clean, uniform illumination that brings architectural concepts to life with clarity and control. Constructed from rugged, UV-resistant polycarbonate with IP67-rated protection, it performs reliably in the harshest environments while maintaining its visual integrity.

Designed with field-cut flexibility, Allanson's Skyline Rigid Border Tubing adapts seamlessly to complex layouts—ensuring accurate runs, refined detailing, and a flawless finish across every application. The result is smooth, continuous light that enhances structure, defines edges, and elevates every architectural line.



 **Allanson**
Tried · Trusted · True