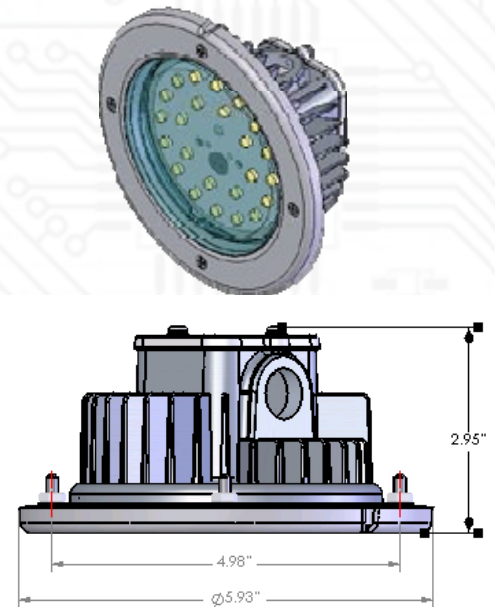


ALF16-700-WW

| Description | Lamp Type /Catalog # |
|----------------------|------------------------------------|
| Complete Fixture | (ALF16-700-WW-R) + (54-262-01-ALT) |
| Fixture Base Only | 54-262-01-ALT |
| LED Lamp Replacement | ALF16-700-WW-R |

Specifications

| | |
|--------------------------------------|--|
| Typical Application: | Commercial Cooking Hoods |
| Input Voltage: | 24 Vdc |
| Input Current: | 700mA constant current |
| Power Consumption: | 17W |
| Color Temperature: | Warm White 3500°K |
| Emitters: | Cree 16 Emitters (1W each) |
| Mounting Distance: | Min. 1.2M (4ft) above cooking surface |
| Typical Brightness (lumens/fixture): | 1500 lumens |
| Location: | Suitable for Dry & Wet locations IP67 |
| Operating Temperature: | -40°C to +75°C |
| Fixture Junction Box: | Die cast aluminum with 1/2" NPT |
| Lamp Body: | Stainless steel |
| Gasket: | Silicone |
| Overall Size: | 5.93" Dia. x 2.95" H |
| Fitting: | Junction box accepts standard 1/2" NPT fitting |
| Warranty: | 1 year |
| Certifications: | UL Listed, CSA Approved, NSF and CE |



**PATENT
PENDING**

Power Supply Connection

No Dimming

- Single Connection (Part # CC1C32700-120-277V)
- Dual Connection (Part # CC2C32700-120-277)

Dimming Capability

- Single Connection (Part # DCC1C32700-120-277)
- Dual Connection (Part # DCC2C32700-120-277)



Allanson
LIGHTING TECHNOLOGIES