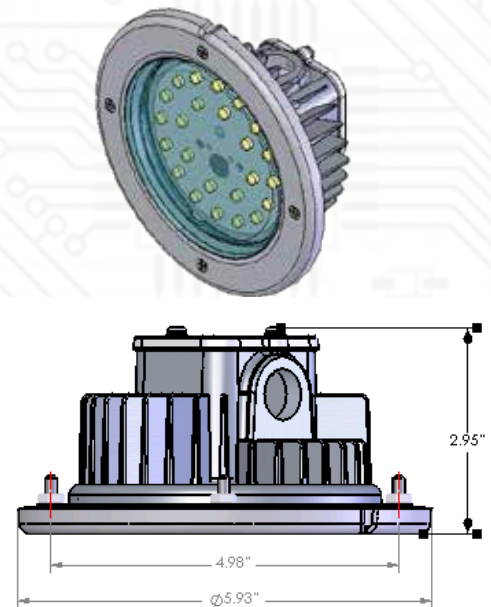


ALF16-700-WW

Description	Lamp Type /Catalog #
Complete Fixture	(ALF16-700-WW-R) + (54-262-01-ALT)
Fixture Base Only	54-262-01-ALT
LED Lamp Replacement	ALF16-700-WW-R

Specifications

Typical Application:	Commercial Cooking Hoods
Input Voltage:	24 Vdc
Input Current:	700mA constant current
Power Consumption:	17W
Color Temperature:	Warm White 3500°K
Emitters:	Cree 16 Emitters (1W each)
Mounting Distance:	Min. 1.2M (4ft) above cooking surface
Typical Brightness (lumens/fixture):	1500 lumens
Location:	Suitable for Dry & Wet locations IP67
Operating Temperature:	-40° C to +75° C
Fixture Junction Box:	Die cast aluminum with 1/2" NPT
Lamp Body:	Stainless steel
Gasket:	Silicone
Overall Size:	5.93" Dia. x 2.95" H
Fitting:	Junction box accepts standard 1/2" NPT fitting
Warranty:	1 year
Certifications:	UL Listed, CSA Approved, NSF and CE



PATENTED

Power Supply Connection

No Dimming

- Single Connection (Part # CC1C32700-120-277V)
- Dual Connection (Part # CC2C32700-120-277)

Dimming Capability

- Single Connection (Part # DCC1C32700-120-277)
- Dual Connection (Part # DCC2C32700-120-277)



Allanson
LIGHTING TECHNOLOGIES