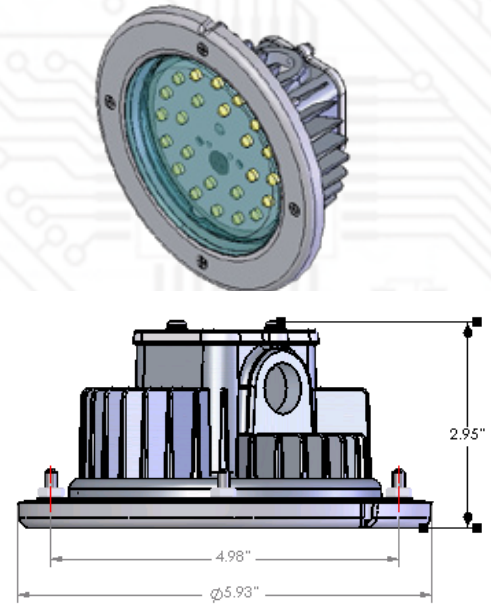


### ALF16-220V-WW

Description	Lamp Type /Catalog #
Complete Fixture	(ALF16-220V-WW-R) + (54-262-02-ALT)
Fixture Base Only	54-262-02-ALT
LED Lamp Replacement	ALF16-220V-WW-R

### Specifications

<b>Typical Application:</b>	Commercial Cooking Hoods
<b>Input Voltage:</b>	220-240VAC, 50HZ/60HZ
<b>Input Current:</b>	77mA
<b>Power Consumption:</b>	17W
<b>Color Temperature:</b>	Warm White 3500°K
<b>Mounting Distance:</b>	Min. 1.2M (4ft) above cooking surface
<b>Typical Brightness (lumens/fixture):</b>	1250 lumens
<b>Location:</b>	Suitable for Dry & Wet locations IP67
<b>Operating Temperature:</b>	-40° C to +75° C
<b>Fixture Junction Box:</b>	Die cast aluminum with 1/2" NPT
<b>Lamp Body:</b>	Stainless steel
<b>Gasket:</b>	Silicone
<b>Overall Size:</b>	5.93" Dia. x 2.95" H
<b>Fitting:</b>	Junction box accepts standard 1/2" NPT fitting
<b>Warranty:</b>	1 year
<b>Certifications:</b>	UL Listed, CSA Approved, NSF and CE



**PATENTED**

No need for external power supply.  
Direct input.



**Allanson**  
LIGHTING TECHNOLOGIES