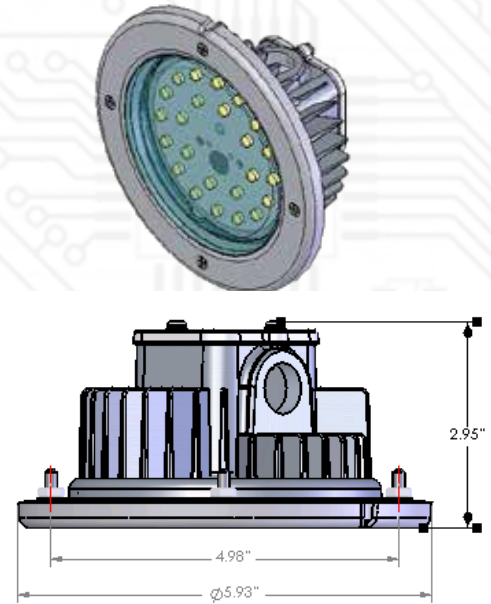


ALF16-220V-WW

Description	Lamp Type /Catalog #
Complete Fixture	(ALF16-220V-WW-R) + (54-262-02-ALT)
Fixture Base Only	54-262-02-ALT
LED Lamp Replacement	ALF16-220V-WW-R

Specifications

Typical Application:	Commercial Cooking Hoods
Input Voltage:	220VAC - 240VAC, 50HZ
Input Current:	77mA
Power Consumption:	17W
Color Temperature:	Warm White 3500°K
Mounting Distance:	Min. 1.2M (4ft) above cooking surface
Typical Brightness (lumens/fixture):	1250 lumens
Location:	Suitable for Dry & Wet locations IP67
Operating Temperature:	-40° C to +75° C
Fixture Junction Box:	Die cast aluminum with 1/2" NPT
Lamp Body:	Stainless steel
Gasket:	Silicone
Overall Size:	5.93" Dia. x 2.95" H
Fitting:	Junction box accepts standard 1/2" NPT fitting
Warranty:	1 year
Certifications:	UL Listed, CSA Approved, NSF and CE



No need for external power supply.
220VAC direct input.



Allanson
LIGHTING TECHNOLOGIES