

Specifications Guide

Commercial Kitchen LED Hood Lamp

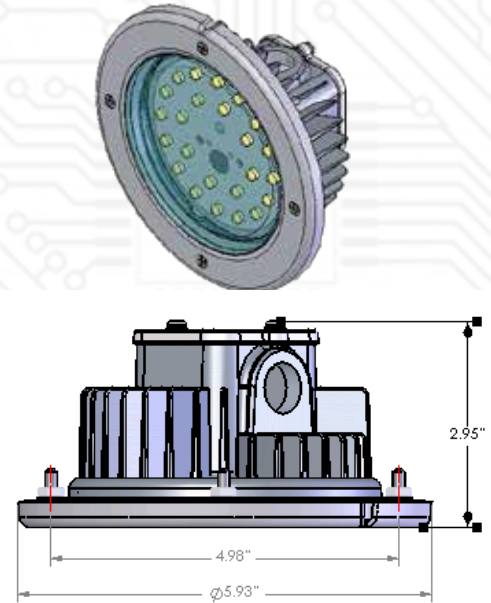
ALF16-220V-WW-PD

Dimmable

Description	Lamp Type /Catalog #
Complete Fixture	(ALF16-220V-WW-R-PD) + (54-262-02-ALT)
Fixture Base Only	54-262-02-ALT
LED Lamp Replacement	ALF16-220V-WW-R-PD

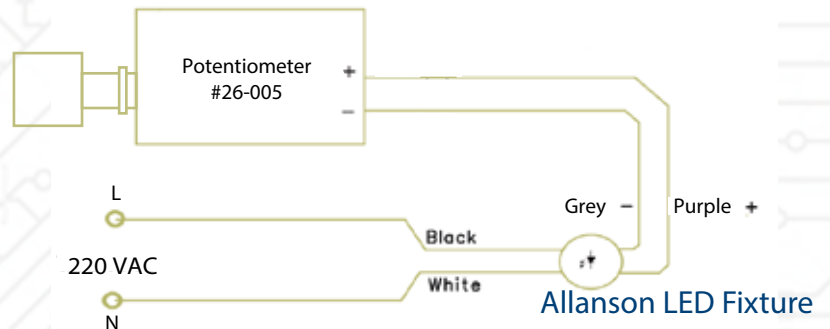
Specifications

Typical Application:	Commercial Cooking Hoods
Input Voltage:	220VAC, 60HZ
Dimming:	Potentiometer (0 - 100%)
Input Current:	77mA
Power Consumption:	17W
Color Temperature:	Warm White 3500°K
Mounting Distance:	Min. 1.2M (4ft) above cooking surface
Typical Brightness (lumens/fixture):	1250 lumens
Location:	Suitable for Dry & Wet locations IP67
Operating Temperature:	-40° C to +75° C
Fixture Junction Box:	Die cast aluminum with 1/2" NPT
Lamp Body:	Stainless steel
Gasket:	Silicone
Overall Size:	5.93" Dia. x 2.95" H
Fitting:	Junction box accepts standard 1/2" NPT fitting
Warranty:	1 year
Certifications:	UL Listed, CSA Approved, NSF and CE



PATENTED

No need for external power supply. 220VAC direct input.



Allanson
LIGHTING TECHNOLOGIES

83 Commerce Valley Dr. East, Markham, ON L3T 7T3

www.allanson.com | cservice@allanson.com | T: 1.800.661.7251 | F: 416.752.6717