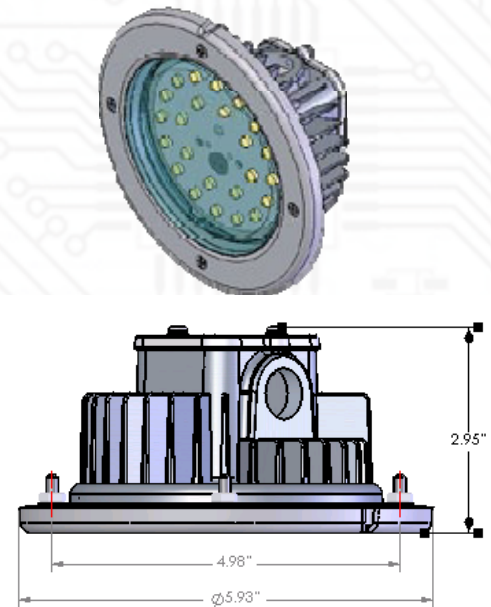


ALF12-700-WW

Description	Lamp Type /Catalog #
Complete Fixture	(ALF12-700-WW-R) + (54-262-01-ALT)
Fixture Base Only	54-262-01-ALT
LED Lamp Replacement	ALF12-700-WW-R

Specifications

Typical Application:	Commercial Cooking Hoods
Input Voltage:	12 Vdc
Input Current:	700mA constant current
Power Consumption:	10W
Color Temperature:	Warm White 3500°K
Emitters:	12 Emitters (1W each)
Mounting Distance:	Min. 0.7M (2.8ft) above cooking surface
Typical Brightness (lumens/fixture):	800-850 lumens
Location:	Suitable for Dry & Wet locations
Operating Temperature:	-40°C to +60°C
Fixture Junction Box:	Die cast aluminum with 1/2" NPT
Lamp Body:	Stainless steel
Gasket:	Silicone
Overall Size:	5.93" Dia. x 2.95" H
Fitting:	Junction box accepts standard 1/2" NPT fitting
Warranty:	1 year
Certifications:	UL Listed, CSA Approved, NSF and CE



**PATENT
PENDING**

Power Supply Connection

No Dimming

- Single Connection (Part # CC1C32700-120-277V)
- Dual Connection (Part # CC2C32700-120-277)

Dimming Capability

- Single Connection (Part # DCC1C32700-120-277)
- Dual Connection (Part # DCC2C32700-120-277)



Allanson
LIGHTING TECHNOLOGIES