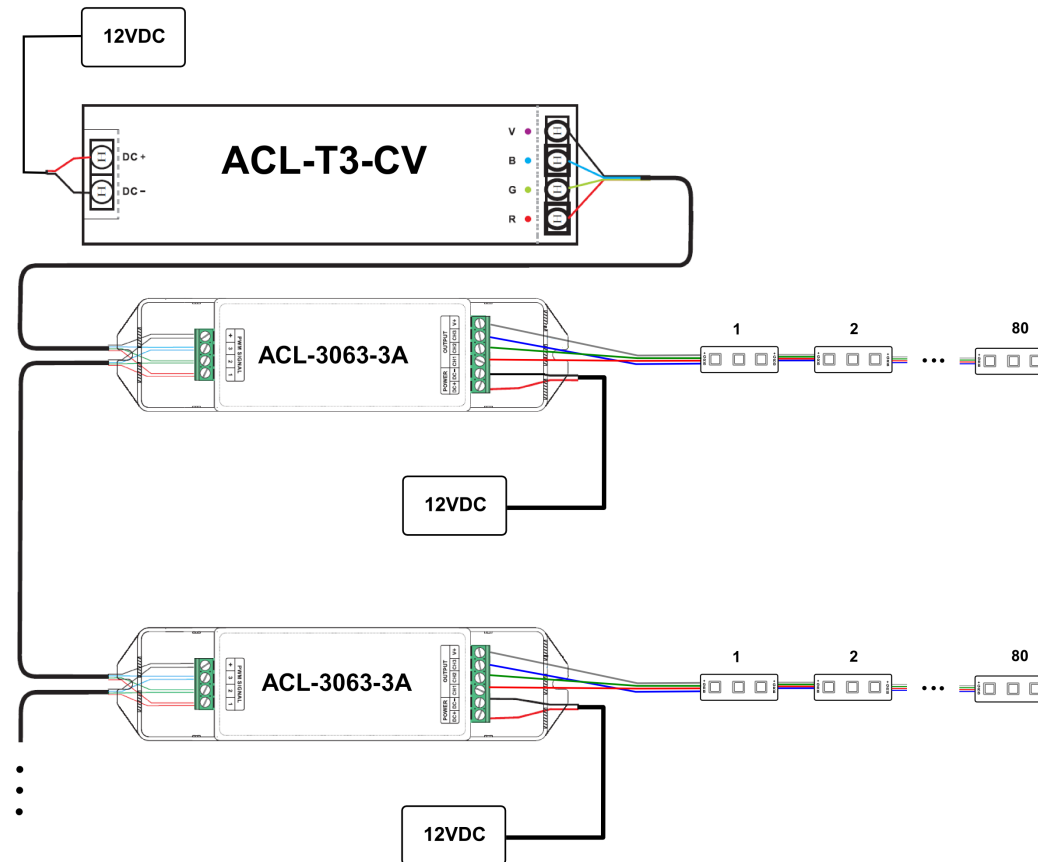




Wiring Diagram: ACL-T3-CV with ACL-3063-3A & ACLW-RGB3



Each ACL-T3-CV can control maximum 80 modules.

Each Allanson Power Amplifier (ACL-3063-3A) can control an extra 80 modules per unit.

