

Installation Instructions for 4 x SPI Range Extender

Thank you for purchasing our 4x SPI Range Extender – Transmitter. Before proceeding with the installation, please take the time to thoroughly review the instructions provided. For any specific programming needs, please feel free to contact our LED department at led@allanson.com.

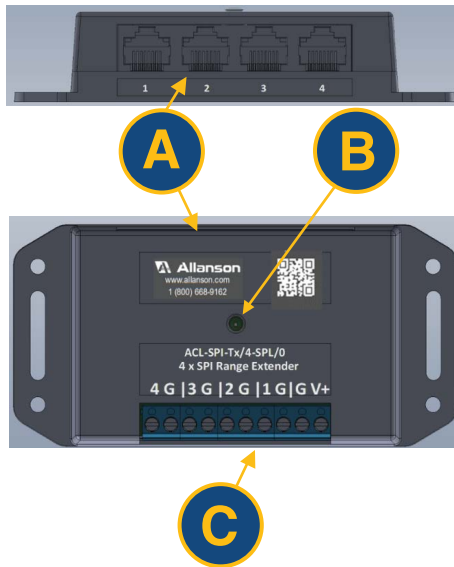
Model: ACL-SPI-Tx/4-SPL/0

Type: 4x SPI Range Extender - Transmitter

Specifications:

- **Operating Voltage:** DC 12V / 24V
- **Maximum Power Consumption:** 10W
- **Signal Input:** 4 individual TTL-SPI signals via terminal block (1, 2, 3, 4, G)
- **Signal Output:** Encoded TTL-SPI signals via corresponding RJ45 ports (1, 2, 3, 4)
- **Dimensions (LxWxH):** 4.65" x 2.23" x 0.96"

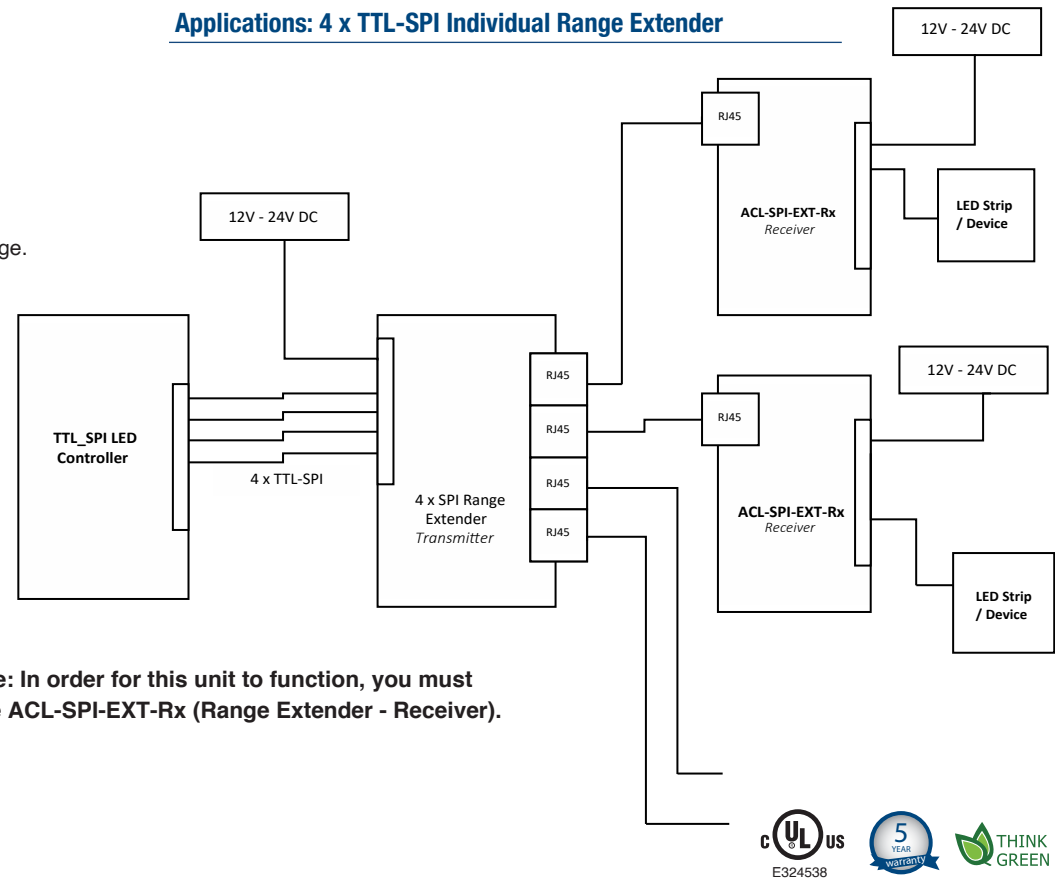
The ACL-SPI-Tx/4-SPL/0 requires an Allanson 12V DC or 24V DC class 2 power supply. Its primary function is to serve as a 4x SPI Range Extender - Transmitter and is used in conjunction with the ACL-SPI-EXT-Rx Range Extender-Receiver to extend the signal range. For further assistance, please don't hesitate to contact our support team.



Specifications

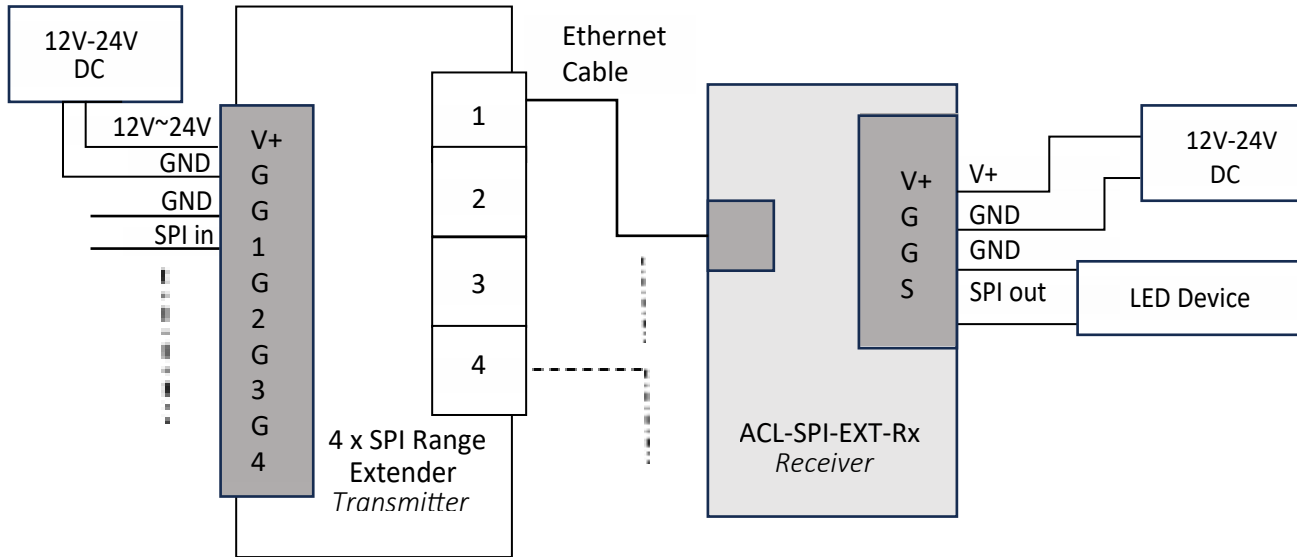
- RJ45 x 4 (1, 2, 3, 4)**
Encoded TTL-SPI signal Out
- Power Indicator**
Light is on when DC power is present
- Terminal Block**
TTL-SPI Signal in: Terminal Block 1, 2, 3, 4,
Power: V+, G

Applications: 4 x TTL-SPI Individual Range Extender



****Please Note:** In order for this unit to function, you must purchase the ACL-SPI-EXT-Rx (Range Extender - Receiver).





Note

- Allanson Power supply CV12 or CV24 series should be used to match the 12VDC or 24VDC LED module/fixture rated operating voltage.
- It's recommended to use wire gauge AWG 22-18, solid or stranded, with a strip length of 6mm for the terminal block connections.

Attention

- The product shall be installed and serviced by a qualified person.
- Please avoid the direct sun and rain and that will prolong the working life of the controller. Please ensure good ventilation.
- Please check if the output voltage of the LED power supply used complies with the working voltage of the product.
- Please ensure that proper wire gauge is used from the controller to the LED power supply and RGBW products to carry the current.
- Ensure all wire connections and polarities are correct before applying power to avoid any damage to the LED and RGB products.
- If a fault occurs, please return the product to your supplier. Do not attempt to fix this product by yourself.
- This manual only applies to this model. Allanson reserves the right to make changes without prior notice.