



Overview

The ACL-MC-DMX-1U is a versatile DMX controller that offers powerful stand-alone triggering capabilities, making it suitable for a wide range of projects and installations. The controller can be integrated into scalable control systems designed for live performance or fixed installations, or deployed individually without a computer as an elegantly simple yet so-phisticated stand-alone control solution.



Explore ColorMix



Where to Buy

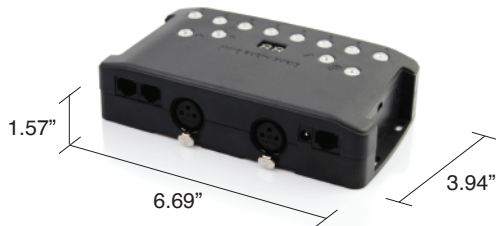
Features

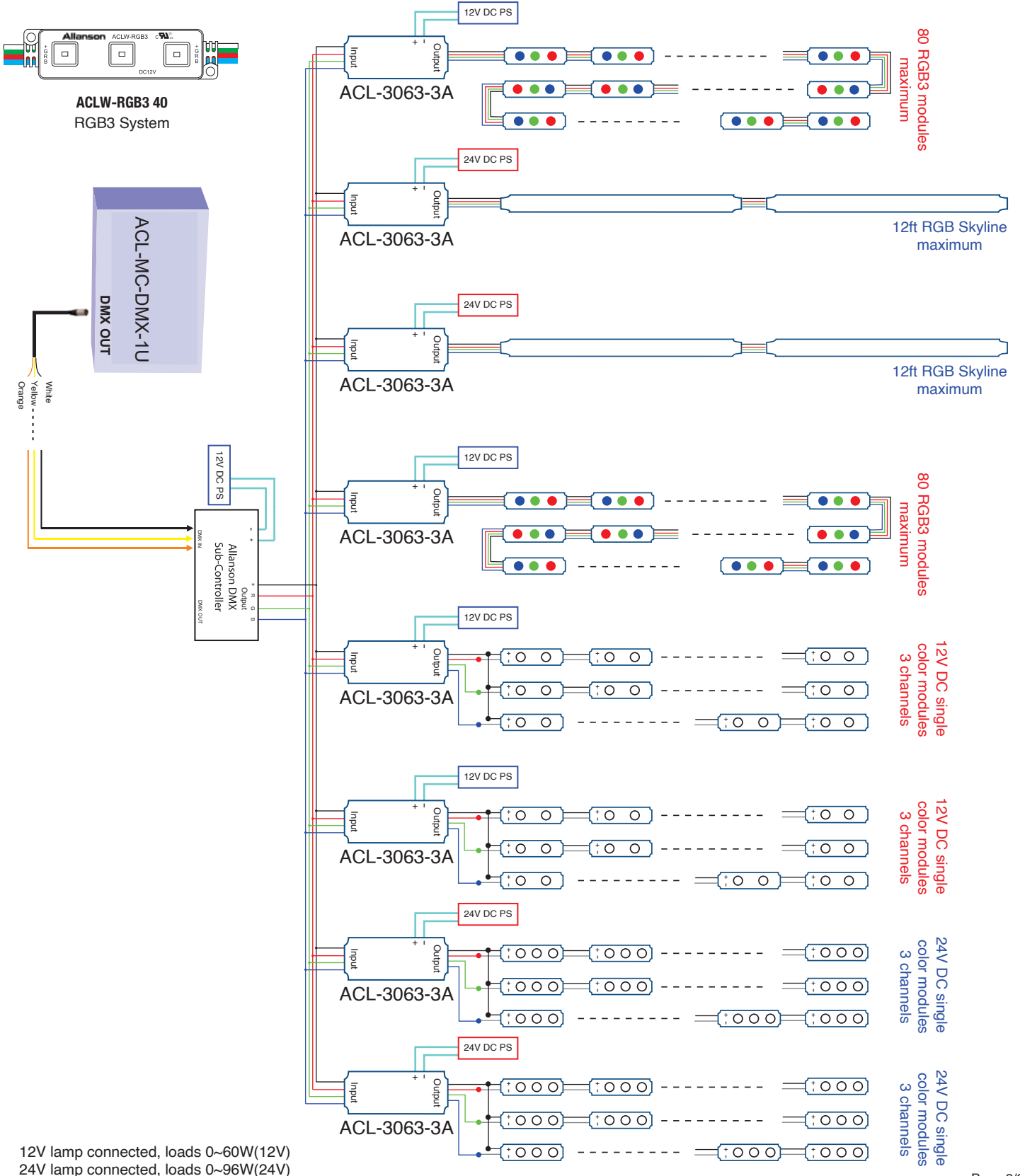
- 6 selectable modes. Buttons (8), Pages (10), Zones (1).
- Color (99 RGB + 8 RGBW).
- Commands from the contacts (speed, scene, dimmer, zone).
- Time clock setting adjustable manually in stand alone.
- 16-bit and fine channel amnagement.
- Automatic scene recovery if the power is cut off.
- Cross fade time between scenes.
- Turn off display after 4s., default start scene, dimmer and RGB color selection.
- Master/Slave mode with up to 32 devices combined and synchronized (64 universes).

Specifications

DMX Output	512 In/Out channels PC and stand alone, default 2x512 splitter mode
APP Control	Wi-Light 2 App (Android + iOS, Ethernet, LAN, WLAN, Internet
Web Remote	Control your devices over internet with Wi-Light 2 APP
Multiple Zone	1 zone, play 1 scene/sequence at time in stand alone
Memory	Micro SD card (all FAT format, up to 256 GB) + internalmemory (no SD card required)
DMX Modes	DMX In/Out splitter, DMX merge, DMX record / trigger
R5232	Can receive triggers from RS232 devices, (16 characters max)

Dimensions and Functions





12V lamp connected, loads 0-60W(12V)
 24V lamp connected, loads 0-96W(24V)