

ACL-SPI-SA SPI Signal Amplifier



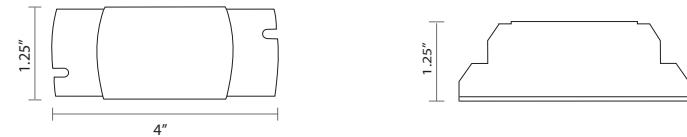
(warranty 5 years)

ACL-SPI-SA (SPI signal amplifier and splitter) can extend the SPI signal distance an extra 100 ft. when used with the Allanson signal cable, or an extra 60 ft. when used with the CAT5 cable. Multiple amplifiers can be used.

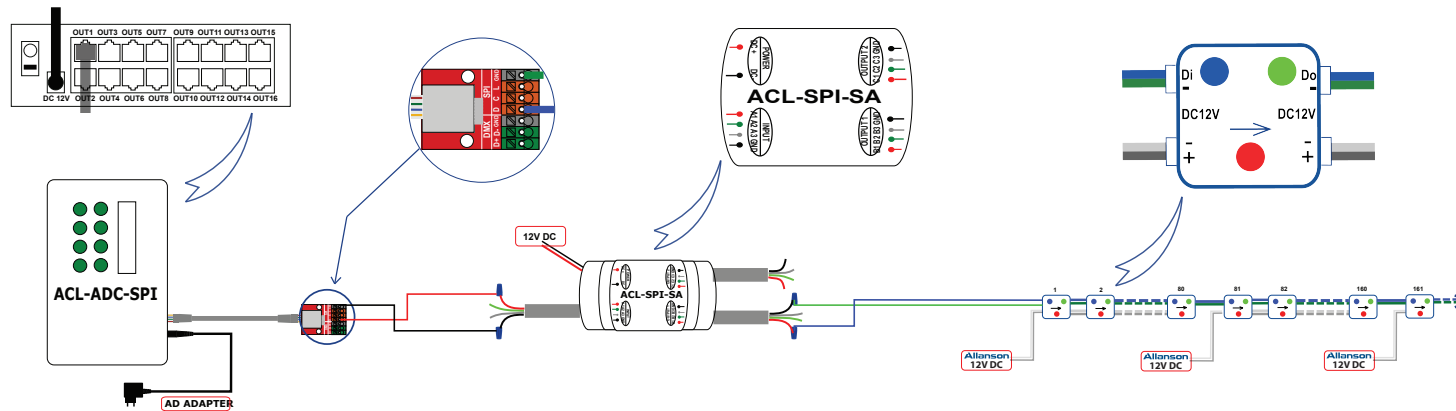
1. Parameter:

Input Voltage:	5~24Vdc	Working Temp.	-30°C~55°C
Input Signal:	1CH SPI(TTL)	Dimension	4" Lx1.25" Wx1.25" H
Output Signal:	2CH SPI(TTL)	Package Size	5" Lx1.75" Wx1.75" H
Waterproof Level:	IP66	Weight(G.W.)	110g

2. Product Size:



Wiring Diagram Application: ACL-SPI-SA & ACL-ADC-SPI with ACLW-RGB AD



Custom wiring diagrams can be provided for your specific applications.