



ColorMix

Lighting Solutions

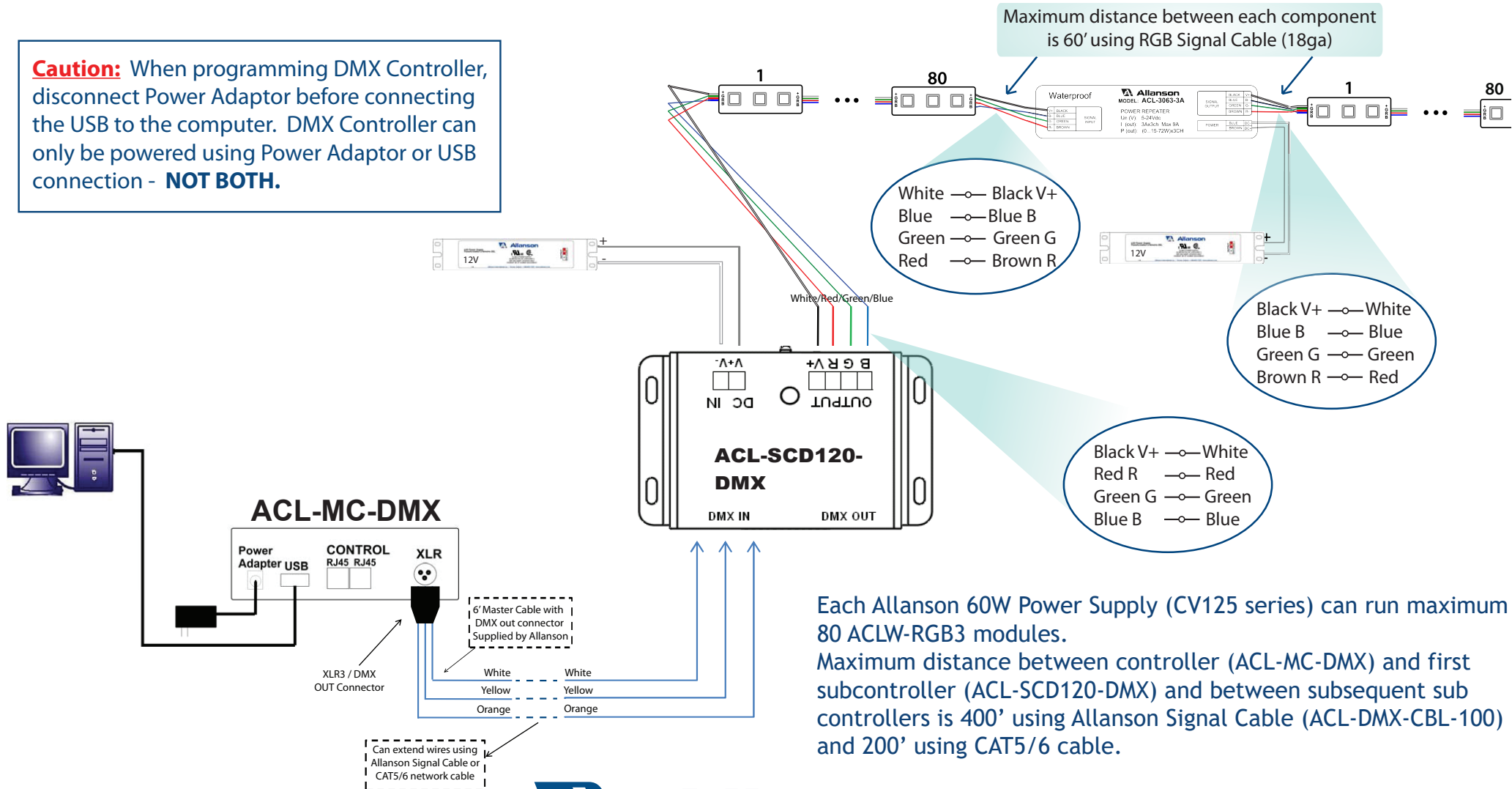


WIRING DIAGRAM

ACL-MC-DMX with ACL-SCD120-DMX, ACL-3063-3A, & ACLW-RGB3

Caution: When programming DMX Controller, disconnect Power Adaptor before connecting the USB to the computer. DMX Controller can only be powered using Power Adaptor or USB connection - **NOT BOTH.**

Maximum distance between each component is 60' using RGB Signal Cable (18ga)



Each Allanson 60W Power Supply (CV125 series) can run maximum 80 ACLW-RGB3 modules.
Maximum distance between controller (ACL-MC-DMX) and first subcontroller (ACL-SCD120-DMX) and between subsequent sub controllers is 400' using Allanson Signal Cable (ACL-DMX-CBL-100) and 200' using CAT5/6 cable.

