



Trusted Experts of Quality Electrics



**Complete & Dependable Line of
Electronic Ignitors | Oil & Gas Transformers | UVC Air Purifiers**



About Allanson

Allanson Environmental Electrics Group is a leading provider of innovative solutions to the heating and air conditioning industry for residential, industrial and commercial applications. As such, it combines best-in-class technology with proven engineering, design, and distribution services.



For over 95 years Allanson’s Environmental Electrics have provided reliable quality products. Our product line ranges from transformers and electronic ignitors, to testing equipment and air purification systems. It also features the only true universal ignitor in the industry - the OMNI®. We are committed to bringing comfort to indoor environments.

Index

Electronic Oil Ignitors	3, 4, 5
Production Transformers	6, 7, 8, 9, 10, 11
Service Replacement Transformers	12, 13
Industrial Gas Transformers	14, 15
Industrial Transformers	16, 17
Industrial Gas Ignitors	18
Oil Ignition Testing Equipment - CHEK-MATE™	19
Electronic Oil Ignitor Mounting Plates	20, 21
Industrial Transformer Mounting Plates	21
UVC Air Treatment Systems	22, 23
Accessories	24
Technical & Electrical Specifications.....	25
Cross Reference Charts	26, 27
Warranty, Contact Information	B.C.



OMNI® Universal Ignitor

2275-U

- The only universal ignitor
- Mounts onto any previously installed ignitor mounting plates
- Eliminates need for extra mounting plates
- Makes your service calls quick and easy
- Ships complete with required hardware



Model	Electrical Specifications
2270	12 Vdc, 20 kVpk Secondary, 22mA, Mid Point Ground
2275	120 Volt, 50/60 Hz, 17.5 kVpk Secondary, 45mA, Mid Point Ground
2280	240 Volt, 50/60 Hz, 17.5 kVpk Secondary, 45mA, Mid Point Ground



Service Kit

2275-KIT1 and **2275-KITCAN**
Electronic Ignition Transformer
Service Kit

- Includes:
- 2 OMNI® universal ignitors
 - Selection of mounting plates
 - Variety of contact terminals
 - Tool box

	2275U OMNI®	2600 AERO	2601 BECKETT S	2602 WAYNE HI SPEED MI/MIH	2603 WAYNE E	2604 BECKETT A, AF, AFG	2605 CARLIN 99, 100, 101, Miser	2609 CARLIN 17.5 FR, 200, 201, 500, 501 CRD	2612 GRIMSBY	261A BROCK	54-740 Universal Contact Kit
2275-KIT1	2		1	1	1	1	1				1
2275-KITCAN	2	2				2	1				1

*Contact Customer Service For Customized Kits



2275-456

Burner Manufacturer:
Aero
HV Terminal:
Zinc Plated Button
Hinge Location:
End Hinge



2275-589

Burner Manufacturer:
Grimsby
HV Terminal:
Cone Compression Spring
Hinge Location:
End Hinge



2275-605

Burner Manufacturer:
Beckett S
HV Terminal:
Large Spring Contact
Hinge Location:
End Hinge



2275-619

Burner Manufacturer:
Wayne HI Speed M/MH
HV Terminal:
Small Spring Contact
Hinge Location:
End Hinge



2275-620

Burner Manufacturer:
Wayne E
HV Terminal:
Large Spring Contact
Hinge Location:
Side Hinge



2275-628G

Burner Manufacturer:
Beckett A, AF, AFG
HV Terminal:
Large Spring Contact
Hinge Location:
End Hinge
Includes:
Mounting Plate and Barrier Gaskets
Mounting Plate Clips



2275-629

Burner Manufacturer:
Carlin 17.5 FR, 200, 201, 500, 501 CRD
HV Terminal:
Finger Contact
Hinge Location:
Side Hinge



2275-630

Burner Manufacturer:
Carlin 99, 100, 101, Card Miser
HV Terminal:
Spring Clip Contact
Hinge Location:
End Hinge
Includes:
Mounting Plate Gasket



2275-633

Burner Manufacturer:
Carlin 601
HV Terminal:
Rajah Connector
Description:
Side Bracket Mounting
Includes:
2 Rajah Connector Caps



2275-637

Burner Manufacturer:
Wayne FH
HV Terminal:
Large Spring Contact
Hinge Location:
Side Hinge



2275-647

Burner Manufacturer:
Wayne HS
HV Terminal:
Small Spring Contact



2275-653

Burner Manufacturer:
Weil McLain, QB 180
HV Terminal:
1/4" Push On



2275-658

Burner Manufacturer:
Beckett AFII
HV Terminal:
High Voltage Cables with 1/4" Push On
Description:
Side Bracket Mounting



2270U-3ST

OMNI® Universal Ignitor

- 12 Vdc model
- Built-in 3 seconds drop out timer
- Fault indicator light
- Universal mounting*

*Pre-assembled mounting plate models available

Model	Electrical Specifications
2270	12 Vdc, 17.5 kVpk Secondary, 12mA, Mid Point Ground
2275	108-132 Volt, 50/60 Hz, 17.5 kVpk Secondary, 28mA, Mid Point Ground
2275U	108-132 Volt, 50/60 Hz, 17.5 kVpk Secondary, 45mA, Mid Point Ground
2280	216-252 Volt, 50/60 Hz, 17.5 kVpk Secondary, 28mA, Mid Point Ground



2721-068



HV Terminal: Zinc Plated Button
Hinge Location: Side Hinge



2721-069



Burner Manufacturer: John Wood
HV Terminal: Large Spring Contact
Hinge Location: Side Hinge



2721-252A



HV Terminal: Zinc Plated Button
Hinge Location: Side Hinge



2721-362A



HV Terminal: Compression Cone Spring



2721-368M



Burner Manufacturer: Metro
HV Terminal: Zinc Plated Button
Hinge Location: End Hinge



2721-409



Burner Manufacturer: ABC Crane
HV Terminal: Zinc Plated Button
Description: Special Side Bracket
Replaces: Webster: 313-25AB73, France: LKR-2



2721-411



Burner Manufacturer: ABC
HV Terminal: Zinc Plated Button
Hinge Location: End Hinge
Replaces: Webster: 313-25AB59, France: 5LAY-20



2721-448



Burner Manufacturer: NU Way (Large Plate)
HV Terminal: Buss Bar Contact
Hinge Location: End Hinge
Replaces: Webster: 313-24AB80



Production Transformers



2721-452



Burner Manufacturer: ABC D&LC
HV Terminal: Buss Bar Contact
Hinge Location: Side Hinge
Replaces: Webster: 313-26AB65, France: 5LAY-11



2721-456



Burner Manufacturer: Aero
HV Terminal: Zinc Plated Button
Hinge Location: End Hinge
Replaces: Webster: 313-24ABAER, France: 5LAY-56



2721-457



Burner Manufacturer: Acme Weatherall
HV Terminal: Zinc Plated Button
Hinge Location: Side Hinge
Replaces: Webster: 3-25AB-AH, France: LKE



2721-558



Burner Manufacturer: Conroy
HV Terminal: Compression Cone Spring
Hinge Location: Side Hinge



2721-572



Burner Manufacturer: NU Way (Small Plate)
HV Terminal: Buss Bar Contact
Hinge Location: End Hinge
Replaces: Webster: 313-24AB82



2721-576



HV Terminal: Zinc Plated Button
Hinge Location: Special Side Hinge



2721-589



Burner Manufacturer: Grimsby
HV Terminal: Compression Cone Spring
Hinge Location: End Hinge



2721-605



Burner Manufacturer: Beckett S
HV Terminal: Large Spring Contact
Hinge Location: End Hinge
Replaces: Webster: 313-28AB92/313-28AB-BF, France: 5LAY-05



2721-619



Burner Manufacturer: Wayne HI Speed M/MH
HV Terminal: Small Spring Contact
Hinge Location: End Hinge
Replaces: Webster: 313-28AB91, France: 5LAY-03



2721-620



Burner Manufacturer: Wayne E
HV Terminal: Large Spring Contact
Hinge Location: Side Hinge
Includes: Mounting Plate Gasket
Replaces: Webster: 313-25AB78, France: 5LAY-30



2721-627



Burner Manufacturer: Brock
HV Terminal: Zinc Plated Button
Hinge Location: End Hinge
Replaces: France: 5LAY-57



2721-628G



Burner Manufacturer: Beckett A, AF, AFG
HV Terminal: Large Spring Contact
Hinge Location: End Hinge
Includes: Mounting Plate and Barrier Gaskets
 Mounting Plate Clips
Replaces: Webster: 3-28AB-BAF, France: 5LAY-04



2721-629



Burner Manufacturer: Carlin 17.5 FR, 200, 201, 500, 501 CRD
HV Terminal: Finger Contact
Hinge Location: Side Hinge
Replaces: Webster: 313-24AB-81, France: 5LAY-16



2721-630



Burner Manufacturer: Carlin 99, 100, 101, Card Miser
HV Terminal: Spring Clip Contact
Hinge Location: End Hinge
Includes: Mounting Plate Gasket
Replaces: Webster: 313-28AB85, France: 5LAY-15



2721-631A



Burner Manufacturer: ABC Sunray
HV Terminal: Small Spring Contact
Hinge Location: Side Hinge
Replaces: Webster: 313-25AB86, France: 5LAY-12



2721-637



Burner Manufacturer: Wayne
HV Terminal: Zinc Plated Button
Hinge Location: Side Hinge
Includes: Mounting Plate Gasket
Replaces: Webster: 313-25AB49, France: 5LAY-21



2721-647



Burner Manufacturer: Wayne Blue Angel Eagle One
HV Terminal: Small Spring Contact
Description: 8-32 x 3/8 Mounting Studs
Replaces: Webster: 313-28AB205W/313-28ABWHS,
France: 5LAY-31



2721-653



Burner Manufacturer: Weil McLain QB180
HV Terminal: 1/4" Push On



2721-654



Burner Manufacturer: Clean Burn
HV Terminal: 8-32 Threaded Post
Hinge Location: End Hinge
Replaces: France: 5LAY-59



2721-668



Burner Manufacturer: Wayne
HV Terminal: Large Spring Contact
Replaces: Webster: 313-28AB205W/313-28ABWHS,
France: 5LAY-31



2741-658



Burner Manufacturer: Beckett AFII
HV Terminal: High Voltage Cables with 1/4" Push On
Description: Side Bracket Mounting
Replaces: Webster: 3-32AB-BAF

Model	Electrical Specifications
2721	120 Volt, 60 Hz, 10000 Volt Secondary, 23mA, Mid Point Ground, Small Can Series
2729	220 Volt, 50 Hz, 10000 Volt Secondary, 23mA, Mid Point Ground, Small Can Series
2730	110 Volt, 50 Hz, 10000 Volt Secondary, 23mA, Mid Point Ground, Small Can Series
2744	240 Volt, 60 Hz, 10000 Volt Secondary, 23mA, Mid Point Ground, Small Can Series



421-095



Burner Manufacturer: York Shipley
HV Terminal: Buss Bar Clips
Junction Box: External
Description: Side Bracket Mounting
Replaces: Webster: 312-26ABE407,
 France: LGEW-1



421-104E



Burner Manufacturer: Aero, Metal Master, Sunray
HV Terminal: Buss Bar Clips
Junction Box: Internal
Replaces: Webster: 312-26AB022



421-254A



Burner Manufacturer: Barriere
HV Terminal: Zinc Plated Button
Hinge Location: Side Hinge



421-331



Burner Manufacturer: Lennox
HV Terminal: Zinc Plated Button
Hinge Location: End Hinge
Replaces: Webster: 313-25AB62



421-340



Burner Manufacturer: Armstrong/Esso
HV Terminal: Rajah Connector
Junction Box: External
Replaces: Webster: 312-25ABE1,
 France: LGPW-2



421-430



Burner Manufacturer: Ducane
HV Terminal: Zinc Plated Button
Replaces: Webster: 313-25AB90,
 France: 5LAY-06



421-557



Burner Manufacturer: Arco American Standard
HV Terminal: Buss Bar Clips
Junction Box: External
Replaces: Webster: 312-26ABE23,
France: LGHW



421-655-G



Burner Manufacturer: Power Flame
HV Terminal: Rajah Connector
Junction Box: Internal
Description: 1/4-20 x 1" Mounting Studs,
primary with three wires, one ground wire
Replaces: Webster: 312-25AB0418



421-659



Burner Manufacturer: Cleaver Brooks,
Industrial Combustion
HV Terminal: Rajah Connector
Junction Box: Internal
Replaces: Webster: 312-08A097/312-810169



421-661



Burner Manufacturer: Gordon Piatt
HV Terminal: Rajah Connector
Replaces: Webster: 313-25AB100



421-663



Burner Manufacturer: PVI Industries
HV Terminal: Thumb Screw
Junction Box: Internal
Description: 1/4-20 x 1" Mounting Studs



421-664



Burner Manufacturer: Webster Engineering
HV Terminal: Thumb Screw
Junction Box: Internal

Model	Electrical Specifications
421	120 Volt, 60 Hz, 10000 Volt Secondary, 23mA, Mid Point Ground, Large Can Series
444	240 Volt, 60 Hz, 10000 Volt Secondary, 23mA, Mid Point Ground, Large Can Series
911	240 Volt, 50 Hz, 10000 Volt Secondary, 23mA, Mid Point Ground, Large Can Series
912	120 Volt, 50 Hz, 10000 Volt Secondary, 23mA, Mid Point Ground, Large Can Series



Universal Service Replacement Transformer

421-BT636

HV Terminal:

- Complete with required hardware
- Six position adaptability
- Includes mounting plate 2567-01

Junction Box: Internal

Replaces: Webster: 312-25AX0600,
France: LAUV

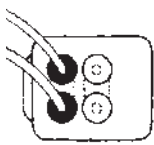


FIG. 1

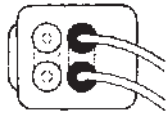


FIG. 2



FIG. 3



FIG. 4

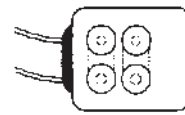


FIG. 5

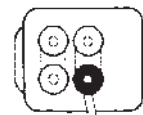


FIG. 6

Universal Service Replacement Transformer

421-BT384

HV Terminal:

- Complete with required hardware
- Five position adaptability

Junction Box: Internal





421-BT104



HV Terminal: Thumb Screw
Junction Box: Internal
 Replaces: Webster: 312-24AB0237,
 France: LGCV



421-BT290



HV Terminal: Thumb Screw
Junction Box: Internal
 Replaces: Webster: 312-24AB0202,
 France: LGDV



421-BT299



HV Terminal: Rajah Connector
Junction Box: Internal
 Replaces: Webster: 312-25A0202,
 France: LFBV



421-BT332



HV Terminal: Rajah Connector
Junction Box: Internal
 Replaces: Webster: 312-25AB0202,
 France: LGFV



421-BT387



HV Terminal: Thumb Screw
Junction Box: Internal
 Replaces: Webster: 312-24A0202,
 France: LFAV

Model	Electrical Specifications
421	120 Volt, 60 Hz, 10000 Volt Secondary, 23mA, Mid Point Ground, Large Can Series
444	240 Volt, 60 Hz, 10000 Volt Secondary, 23mA, Mid Point Ground, Large Can Series
911	240 Volt, 50 Hz, 10000 Volt Secondary, 23mA, Mid Point Ground, Large Can Series
912	120 Volt, 50 Hz, 10000 Volt Secondary, 23mA, Mid Point Ground, Large Can Series



1092-H



Burner Manufacturer: Cleaver Brooks,
Industrial Combustion
HV Terminal: Rajah Connector
Junction Box: Internal
Replaces: Webster: 612-8A021



1092-PF-G



Burner Manufacturer: Power Flame
HV Terminal: Thumb Screw
Junction Box: Internal
Description: 1/4-20 x 1" Mounting Studs,
primary with three wires, one ground wire
Replaces: Webster: 612-6A056



1092-S



Burner Manufacturer: Gordon Piatt
HV Terminal: Thumb Screw
Junction Box: Internal
Replaces: Webster: 612-6A020/612-6A072



1092-F



HV Terminal: Thumb Screw
Description: Conduit Connection
Replaces: Webster: 612-6A7,
France: 6EEGW-2



1092-K



Burner Manufacturer: Dunham-Bush, Iron Fireman
HV Terminal: Rajah Connector
Junction Box: Internal
Description: 1/4-20x1" Mounting Studs
Replaces: Webster: 612-8AB017



1092-IC



Burner Manufacturer: Cleaver Brooks,
Industrial Combustion
HV Terminal: Rajah Connector
Junction Box: Internal
Description: 1/4-20 x 1" Mounting Studs



1092-N



Burner Manufacturer: Ray Burner
HV Terminal: Thumb Screw
Description: Conduit Connection
Replaces: Webster: 613-6A10,
France: 3RAFYR-14



1092-NA



Burner Manufacturer: North American
HV Terminal: Rajah Connector
Junction Box: Internal
Replaces: Webster: 612-8A02



1092-SG



Burner Manufacturer: Webster
HV Terminal: Thumb Screw
Junction Box: Internal
Description: Primary with three wires,
one ground wire

Model	Electrical Specifications
1092	120 Volt, 50/60 Hz, 6000 Volt Secondary, 25/20mA, One End Ground
1112	240 Volt, 60 Hz, 6000 Volt Secondary, 20mA, One End Ground
1196	240 Volt, 50 Hz, 6000 Volt Secondary, 20mA, One End Ground



2714-359



Burner Manufacturer: Cleaver Brooks,
Industrial Combustion
HV Terminal: Rajah Connector
Junction Box: Internal
Replaces: Webster: 12-8A08,
France: 2KAAVS-1



2714-500



HV Terminal: Rajah Connector
Junction Box: Internal
Description: 1/4-20 x 1" Mounting Studs



2714-633



Burner Manufacturer: Carlin
HV Terminal: Rajah Connector
Junction Box: Internal
Description: Side Bracket Mounting
Replaces: Webster: 12-8AB7,
France: 2KACVS-2



2714-655-G



Burner Manufacturer: Power Flame
HV Terminal: Rajah Connector
Junction Box: Internal
Description: 1/4-20x1" Mounting Studs,
primary with three wires, one ground wire
Replaces: Webster: 12-8AB11



2714-656



Burner Manufacturer: Beckett
HV Terminal: Rajah Connector
Description: Conduit Connection
Available in 220V-2742-656
Replaces: Webster: 12-8AB16



2714-662



Burner Manufacturer: Gordon Piatt
HV Terminal: Rajah Connector
Junction Box: Internal
Replaces: Webster: 12-8AB02

Model	Electrical Specifications
2714	120 Volt, 60 Hz, 12000 Volt Secondary, 20mA, Mid Point Ground
2742	220 Volt, 50 Hz, 12000 Volt Secondary, 20mA, Mid Point Ground



542-A



HV Terminal: 1/4-20 Stud
Junction Box: Internal
Replaces: Webster: 312-6A0456



542-GP



Burner Manufacturer: Gordon Piatt
HV Terminal: 1/4-20 Stud
Junction Box: Internal
Replaces: Webster: 312-9A0456



542-H



**Burner Manufacturer: Cleaver Brooks,
Industrial Combustion**
HV Terminal: 1/4-20 Stud
Junction Box: Internal



542-PF-G



Burner Manufacturer: Power Flame
HV Terminal: 1/4-20 Stud
Junction Box: Internal
**Description: 1/4-20x1" Mounting Studs,
primary with three wires, one ground wire**

Model	Electrical Specifications
542	120 Volt, 60 Hz, 10000 Volt Secondary, 23mA, One End Ground

2260-P



Description:
Center mounting, primary wire plug set with pigtails, one ground wire, 2 way mounting

2260-TP



Description:
Mounting tabs, primary plug set with pigtails, one ground wire, 3 way mounting

2260-TW



Description:
Mounting tabs with traditional bottom exit primary pigtails, 3 way mounting

Large HV pocket



2260-TPLP



Description:
Mounting tabs, primary wire plug set with pigtails, one ground wire, 2 way mounting, large pocket secondary output

Large HV pocket



2260-TWLP



Description:
Mounting tabs, primary plug set with pigtails, one ground wire, 3 way mounting, large pocket secondary output

Large HV pocket



2260-TPLPJB



Description:
Mounting tabs, primary wire plug set with pigtails, one ground wire, 2 way mounting, large pocket secondary output, integrated junction box

COMING SOON
JULY 2023
COMING SOON

Model	Electrical Specifications
2260	120 Volt, 50/60 Hz, 15.6 kVpk Volt Secondary, 28mA, One End Ground
2265	230 Volt, 50/60 Hz, 15.6 kVpk Volt Secondary, 30mA, One End Ground



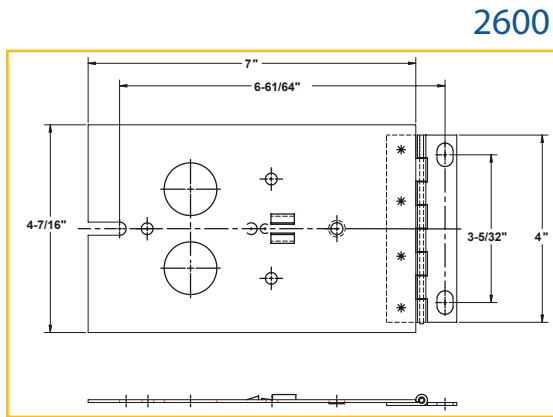
Chek-Mate™

SC-2100

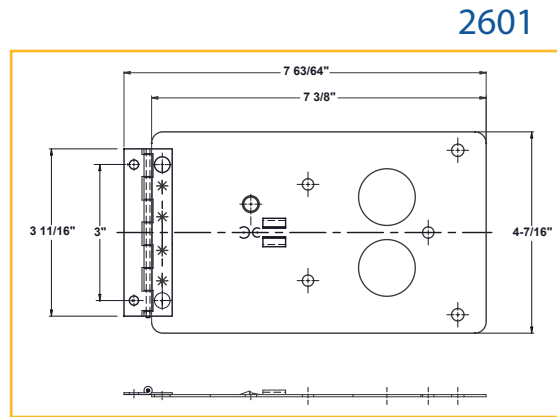
- Safe and reliable
- Tests all manufacturer's 2 pole electronic ignitors and iron core transformers
- LED indicator notifies you if unit is functioning and producing enough spark to ignite the fuel oil
- Easy to use, lightweight and compact
- Makes service calls quick and easy

Electronic Oil Ignitor Mounting Plates

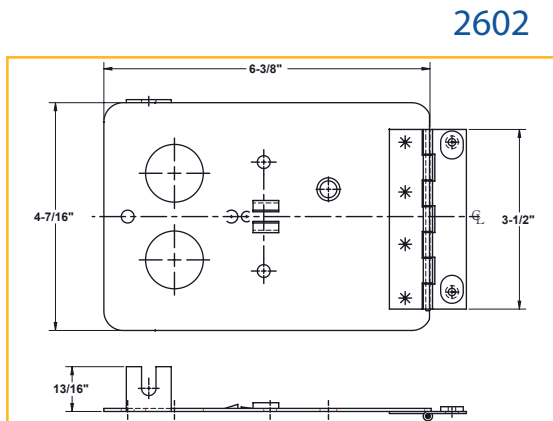
Mounting Plates



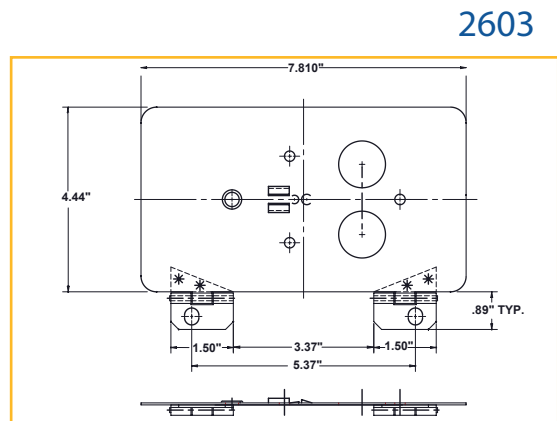
Burner Manufacturer: **Aero**



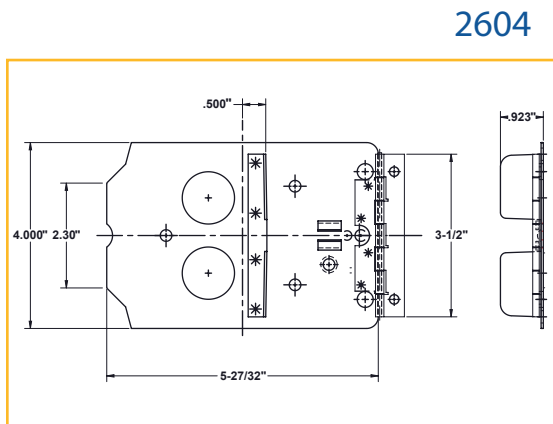
Burner Manufacturer: **Beckett S**



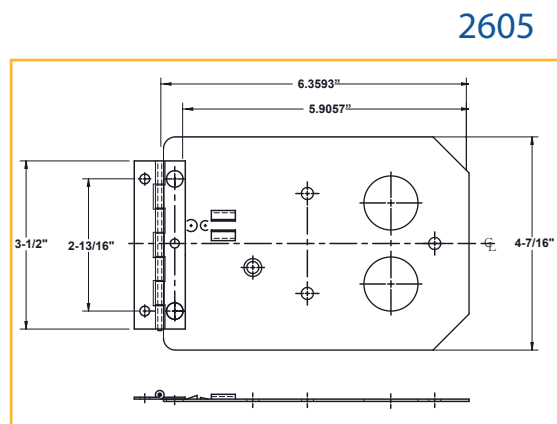
Burner Manufacturer: **Wayne HI, Speed M/MH**



Burner Manufacturer: **Wayne E**

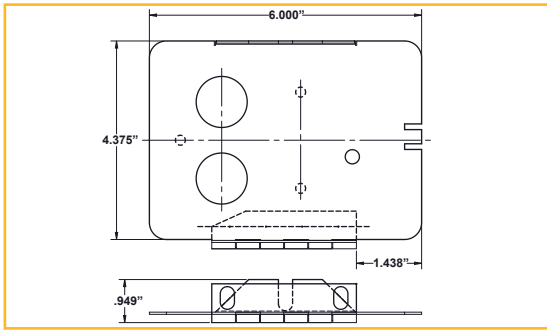


Burner Manufacturer: **Beckett A, AF, AFG**



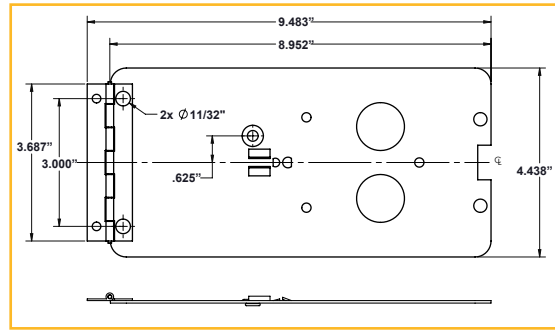
Burner Manufacturer: **Carlin 99, 100, 101, Card Miser**

2609



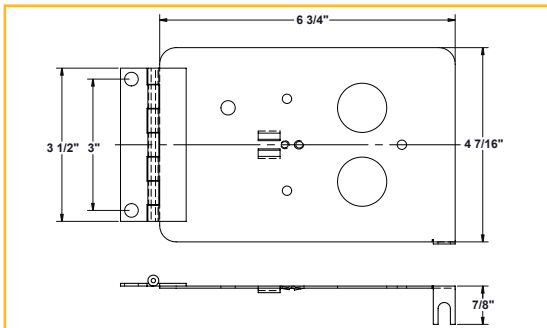
Burner Manufacturer:
Carlin 17.5, FR, 200, 201, 500, 501 CRD

2612



Burner Manufacturer: Grimsby

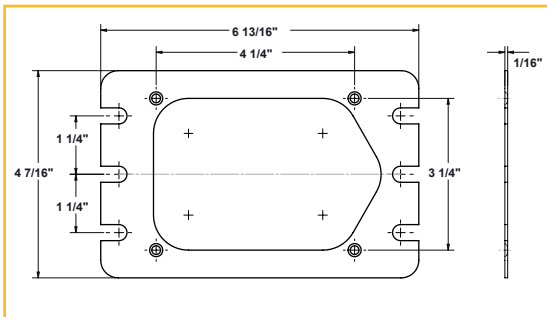
2614



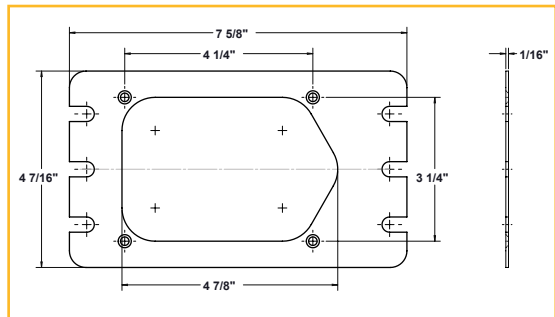
Burner Manufacturer: Brock

Industrial Transformer Mounting Plates

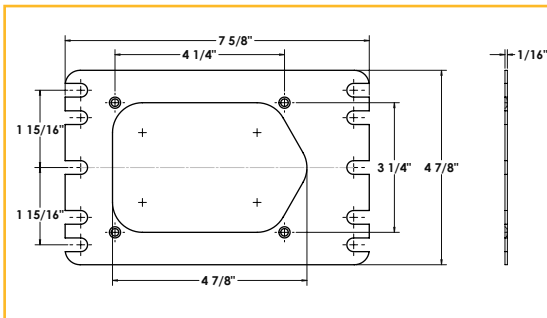
2500



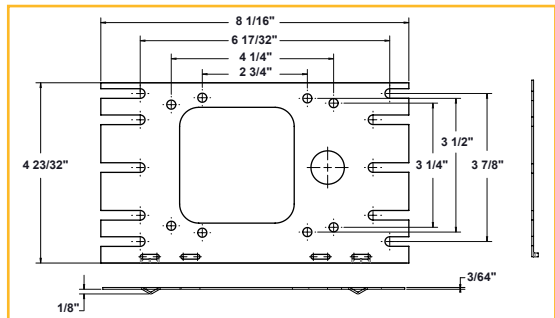
2501



2502



2567-01



UVC Whole Home Air Purification Systems

Commercial and residential line of UVC germicidal air purifiers, providing healthy indoor air quality, destroying airborne cold and flu-causing bacteria and viruses, and helping to alleviate allergy and asthma symptoms. Allanson's 95+ years of designing and manufacturing power supplies enable us to provide optimal lamp performance.



All-In-One Retail Kit with 2" Hole Saw



- Colorful retail packaging
- Includes complete whole home unit with hole saw
- Sold individually (1 unit per box)



Contractor Packaging Made Easy



- Black and white contractor packaging
- Includes complete whole home unit without hole saw
- Sold in packs of 6 (6 units per box)

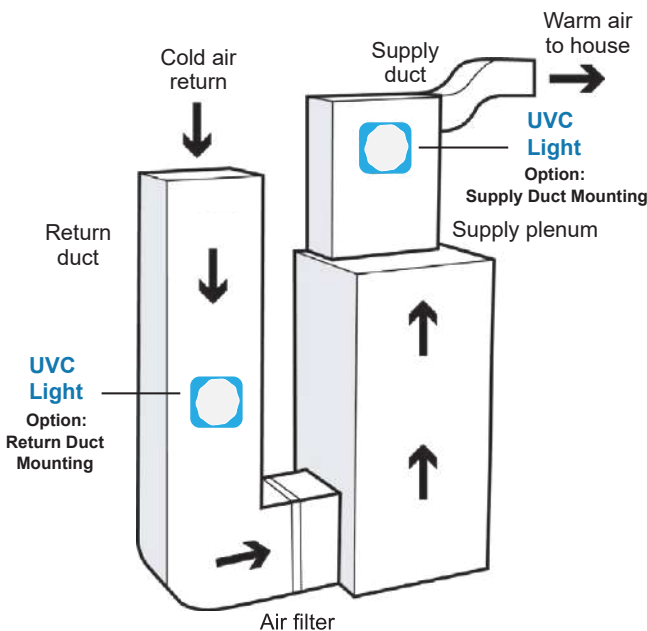


inactivates up to **99.9%** airborne pathogens



Features and Benefits of both UVC Air Treatment Systems

- The only air purifier needed for the entire home
- Quick and easy installation
- Mounts onto existing forced air duct (return or supply side)
- Ozone free lamps
- Built-in lamp replacement indicator
- Green product (energy efficient electronic ballast)
- Safety enclosed system prevents accidental exposure to UVC light
- UVC technology that's 3 x stronger
- Easy and affordable maintenance
- Cost effective
- Provides recurring business through annual lamp replacements



SWORDFISH UVC WHOLE HOME PURIFICATION SYSTEM	
Part #	Description
UVA18WB	Swordfish Air Treatment System, 18W, 120V, purifies up to 1,000 ft ²
UVA36WB	Swordfish Air Treatment System, 36W, 120V, purifies up to 3,500 ft ²
UVA60WB	Swordfish Air Treatment System, 60W, 120V, purifies above 3,500 ft ²
Allanson ALLANSON UVC WHOLE HOME PURIFICATION SYSTEM	
Part #	Description
UVC18WBMV C	Allanson Air Treatment System, 18W, 120-240V*, purifies up to 1,000 ft ²
UVC36WBMV C	Allanson Air Treatment System, 36W, 120-240V*, purifies up to 3,500 ft ²
UVC60WBMV C	Allanson Air Treatment System, 60W, 120-240V*, purifies above 3,500 ft ²
REPLACEMENT LAMPS (FOR RETAIL & CONTRACTOR VERSIONS)	
Part #	Description
UVC18WLR	UVC Replacement Lamp 18W for UVC Air Treatment System, 9"
UVC36WLR	UVC Replacement Lamp 36W for UVC Air Treatment System, 15.93"
UVC60WLR	UVC Replacement Lamp 60W for UVC Air Treatment System, 15.93"
ADAPTOR KIT (FOR RETAIL & CONTRACTOR VERSIONS)	
SFAK	Adaptor Kit for Fiberglass Duct Board

*240V units will require a different power cord; not supplied



Allanson AirGuard C600 / AirGuard C600-M



purifies up to **99.99%** of indoor air

Commercial grade UVC Air Purification Ceiling Fixture with multi-stage filtration and UVC sterilization chamber.

Allanson AirGuard C600 and AirGuard C600-M use a cross-flow fan to circulate indoor air multiple times every hour. Each unit includes 2 filters (pre-filter and H12 graded or medical grade H13 HEPA filters respectively). It draws in untreated air, passes it through both filters, then through a high UVC radiation chamber to sterilize the air before releasing the purified air.



Disinfects germs, viruses & bacteria



Provides clean fresh air for public indoor spaces



Safe to use and highly effective

Features

- High CFM cross-flow fan allows efficient air movement with quiet operation
- 2 level fan speed control suitable for every environment
- Air flow and UVC sensors for accurate replacement notification
- Easy lamp and filter replacement
- Multiple safety switches for safe operation
- Covers up to 4,800 cubic feet area with 2 air changes/hour
- Infrared remote control
- cULus listed

Applications

Designed for installation on false ceilings for commercial and industrial applications, including:

- Offices
- Schools
- Retail Spaces
- Food Outlets
- Hospitality
- Banking
- Public Washrooms
- Nursing Homes
- Hospitals

TECHNICAL SPECIFICATIONS			
Dimension	23.75" x 23.74" x 6.17" (L x W x H)		
Weight	34 lbs		
Enclosure	CRS Steel		
Power Input	120 - 240 VAC		
Energy Consumption	57 - 73W (Low - High Speed)		
Fan	163 CFM Cross Flow Blower		
Noise Level	58 dB at 1 m		
Min. Mounting Height	7.55' (2.31 m)		
Coverage Area	600 sq. ft.		
Air Change/ Hour	2**		
Sterilization	UVC Lamp x 1		
	Dimension: 16.18" x 1.5" (L x W)		
	Power: 36W		
	UVC Radiation: 120 µW/cm ² at 1 m		
Filtration	Filter Type	Dimension	Efficiency
	Pre-filter: Purple pleated x 1	16" x 9" (L x W)	-
	H12 HEPA Filter		99.50%
H13 HEPA Filter Medical Grade***	99.95%		
Certification	cULus		

Part #	Description
AAGC600	Allanson AirGuard C600, Ceiling Air Purifier, 600 sq. ft., with H12 HEPA Filter
AAGC600-M	Allanson AirGuard C600-M, Ceiling Air Purifier, 600 sq. ft., with H13 Medical Grade HEPA Filter
AGRPLF	Pre-filter x 1 • H12 HEPA filter x 1
AGRPLF-M	Pre-filter x 1 • H13 HEPA filter x 1
UVC36WAGLR	36W lamp x 1
AGRPL	AirGuard C600 Maintenance Kit (includes Pre-filter, H12 HEPA filter, 36W UVC lamp)
AGRPL-M	AirGuard C600-M Maintenance Kit (includes Pre-filter, H13 HEPA filter, 36W UVC lamp)

**In a 300 sq.ft coverage area, air change/hour will be 4

***Included with AirGuard C600-M (part #AAGC600-M)



VISIT OUR PAGE



Electronic Ignitor Contact Kit

54-740

Includes: Zinc Plated Buttons (2)
Small Spring Contacts (2)
Large Spring Contacts (2)
Spring Clip Contacts (2)



54-741

Zinc Plated Buttons
Description: Hardware Kit For Wayne/Aero
Quantity: 6 Pcs



54-743

Small Spring Contact
Description: Hardware Kit For Wayne
Quantity: 6 Pcs



25-232

Screws - Type B Flat
Quantity: 4 Pcs



29-206

Rajah Caps
Quantity: 2 Pcs



27-599

1/4" Female Rajah Connectors
Quantity: 1 Pc



29-294

Hollow Threaded Rajah Stud
Quantity: 2 Pcs



22-020

Thumb Screw
Quantity: 2 Pcs

Electronic Ignitor Contact Kit

54-766

Includes: Zinc Plated Buttons (4)
Large Spring Contacts (4)
Spring Clip Contacts (2)



54-742

Large Spring Contact
Description: Hardware Kit For Beckett
Quantity: 6 Pcs



54-744

Spring Clip Contact
Description: Hardware Kit For Carlin
Quantity: 6 Pcs



29-276

Compression Cone Spring
Quantity: 2 Pcs



29-295

Double Threaded Stud
Quantity: 2 Pcs



GTO-C-18

High Voltage Cable
Description: Silicon cable; 18" long; 25KVDC 250° C UR; 2-1/4" Female Rajah Connectors



GTO-C-42

High Voltage Cable
Description: Silicon cable; 42" long; 25KVDC 250° C UR; 2-1/4" Female Rajah Connector



Model #	Input Supply Voltage* V	Sec kVpk	Secondary Voltage RMS	mA	Pri. A	Primary VA	Input Supply Frequency Hz	Secondary Frequency KHz	Storage Temperature °C	Operating Temperature °C	Operating Relative Humidity %	Loading Air Gap Inches
ELECTRONIC OIL IGNITORS - Mid Point Ground												
2270	12 Vdc	17.5	-	12	2.5	36	50/60	>18	-40 to +80	-30 to +40	90	1/16 - 1/8
2275	108-132	17.5	-	28*	0.72	54	50/60	20	-40 to +80	-30 to +40	90	1/16 - 3/16
2275U	108-132	17.5	-	45*	0.72	87	50/60	20	-40 to +80	-30 to +40	90	1/16 - 3/16
2280	216-252	17.5	-	28*	0.38	87	50/60	20	-40 to +80	-30 to +40	90	1/16 - 3/16
PRODUCTION TRANSFORMERS - Mid Point Ground												
2721	120	-	10,000	23	2.08	250	60	-	-40 to +80	-30 to +40	90	1/8 - 3/16
2741	120	-	10,000	23	2.08	250	60	-	-40 to +80	-30 to +40	90	1/8 - 3/16
2729	220	-	10,000	23	1.14	250	50	-	-40 to +80	-30 to +40	90	1/8 - 3/16
2730	110	-	10,000	23	2.2	250	50	-	-40 to +80	-30 to +40	90	1/8 - 3/16
421	120	-	10,000	23	2.08	250	60	-	-40 to +80	-30 to +40	90	1/8 - 3/16
2744	240	-	10,000	23	1.04	250	60	-	-40 to +80	-30 to +40	90	1/8 - 3/16
444	240	-	10,000	23	1.04	250	60	-	-40 to +80	-30 to +40	90	1/8 - 3/16
911	240	-	10,000	23	1.04	250	50	-	-40 to +80	-30 to +40	90	1/8 - 3/16
912	120	-	10,000	23	2.08	250	50	-	-40 to +80	-30 to +40	90	1/8 - 3/16
2714	120	-	12,000	20	2.29	275	60	-	-40 to +80	-30 to +40	90	1/8 - 3/16
2742	220	-	12,000	20	1.14	250	50	-	-40 to +80	-30 to +40	90	1/8 - 3/16
INDUSTRIAL GAS IGNITORS - Single Pole, One End Grounded												
1092	120	-	6,000	25/20	2.08	250/180	50/60	-	-40 to +80	-30 to +40	90	1/16 - 1/8
1112	240	-	6,000	20	0.75	180	60	-	-40 to +80	-30 to +40	90	1/16 - 1/8
1196	240	-	6,000	20	0.75	180	50	-	-40 to +80	-30 to +40	90	1/16 - 1/8
542	120	-	10,000	23	2.2	265	60	-	-40 to +80	-30 to +40	90	1/16 - 1/8
INDUSTRIAL GAS IGNITORS - Single Pole, One End Grounded												
2260	120	15.6	-	28	0.6	72	50/60	>20	-40 to +80	-30 to +40	90	1/16 - 1/8
2265	230	15.6	-	30	0.3	72	50/60	>20	-40 to +80	-30 to +40	90	1/16 - 1/8

*Input Supply Voltage (V) must be within 10% tolerance.

Technical and Electrical Specifications

Burner Manufacturer	Allanson	Dongan	France	Webster	Sid Harvey	Thermolok
10,000 Volt Secondary Mid Point Ground 120 Volt						
ABC	2721-411	XD-AB207	5LAY-20	313-25AB59	T-84	C-792
ABC/SUNRAY	2721-631A	XD-AB201	5LAY-12	313-25AB86	T-29-15B	TSR-10
ABC-CRANE	2721-409	A10-SV351	LKR-2	313-25AB73	T-86	C-793
ABC-D&LC	2721-452	A10-SQ35	5LAY-11	313-25AB65	T-34-B	
ACME/QUIET HEET	421-104	A10-SR12	LGNV	312-24AB084	T-31N	C-53
ACME/WEATHERALL	2721-457		LKE	3-25AB-AH	T-82	
AERO	2721-456	XD-AR211	5LAY-56	3-24AB-AER	T-87	TA-10
AERO/SUNRAY	421-104E	A10-SR10		312-26AB022	T-29-10B	C-733
ARCO/AMER. STANDARD	421-557 <small>(replaces 421-216)</small>	A10-SP18	LGHW	312-26ABE23	T-183B	C-483
ARCO/AMER. STANDARD	421-557	A10-SP18	LGHW	312-26ABE23	T-183B	C-483
ARMSTRONG/ESSO	421-340	A10-SX10	LGPW-2	312-25ABE1	T-80-3M	
BARRIERE	421-254A	A10-SQ10				
BECKETT A, AF, AFG	2721-628G	XD-BK103	5LAY-04	3-28AB-BAF	T-92	TB-10
BECKETT AFII	2741-658			3-32AB-BAF		
BECKETT S	2721-605	XD-BK204	5LAY-05	313-28AB92/ 313-28AB-BS	T-90	TB-11
BROCK	2721-627	XD-UR200	5LAY-57			
CARLIN 99, 100 CRD	2721-630	XD-CR205	5LAY-15	313-28AB85	T-94	TC-10
CARLIN 200, 201, 500 CRD	2721-629	XD-CR206	5LAY-16	313-24AB81	T-95	TC-11
CLEAN BURN	2721-654		5LAY-59			
CLEAVER BROOKS	421-659	A10-SJ5		312-8AO97/ 312-810169		
CONROY	421-558	A10-SQ35				
DELCO P-200	2721-222A	A10-SQ182	LKP	313-24AB68	T-24N	
DUCANE	421-430	XD-DC212	5LAY-06	313-25AB90		
GORDON PIATT	421-661	A10-SV22		313-25AB100		
GRIMSBY	2721-589	A10-SQ35				
INDUSTRIAL COMBUSTION	421-660	A10-SJ5		312-8AO169		
JOHN WOOD	2721-069					
LENNOX	421-331	A10-S32		313-25AB62	T-265	C-823
METAL MASTER	421-262	A10-S32	LGM		T-28B	C-544
METRO	2721-368M					
NU-WAY (LARGE PLATE)	2721-448	A10-SQ35		313-24AB80	T-120	C-794
NU-WAY (SMALL PLATE)	2721-572	A10-SQ35		313-24AB82	T-122	C-807
POWER FLAME	421-655	A10-SV10PF		312-25AB0418		
PVI INDUSTRIES	421-663					
REZNOR	2721-628G <small>(replaces 2721-667)</small>					
SUNRAY	421-104E	A10-SR10		312-26AB022	T-29-10B	C-733
WAYNE	2721-637	A10-SV35	5LAY-21	313-25AB49	T-50	
WAYNE (BLUE ANGEL)	2721-647	XD-WN209	5LAY-31	313-28AB205W/ 313-28ABWHS		T-89-10
WAYNE E	2721-620	XD-WN208	5LAY-30	313-25AB78	T-88	C-799
WAYNE HI SPEED M/MH	2721-619	XD-WN202	5LAY-03	313-28AB91	T-93	TW-10
WEBSTER ENGINEERING	421-664					
YORK SHIPLEY	421-095	A10-SX24	LGEW-1	312-26ABE407	T-25B	C-150
12,000 Volt Secondary Mid Point Ground 120 Volt						
BECKETT	2714-656			12-8AB16		
CARLIN	2714-633	A12-SV10	2KACVS-2	12-8AB7	T-12	
CLEAVER BROOKS	2714-359	A12-SJ10	2KACVS-1	12-8AO8		
GORDON PIATT	2714-662			12-8AB02		
POWER FLAME	2714-655	A12-SV10		12-8AB11		



Burner Manufacturer	Allanson	Dongan	France	Webster	Sid Harvey	Thermolok
10,000 Volt Secondary Mid Point Ground 120 Volt - Less Mounting Plate Replacement Type						
UNIVERSAL 6 WAY	421-BT636	LJH-90A	LAUV	312-25AX0600	T1-15	T-628
UNIVERSAL 5 WAY	421-BT384			312-25AX0500		
	421-BT066	A10-SY10				
	421-BT104	A10-SR10	LGCV	312-24AB0237	T-31N	
	421-BT276	A10-SW10	LGEV	312-25AB0237	T-17FM	C-551
	421-BT290	A10-SQ10	LGDV	312-24AB0202	T-17N	C-554
	421-BT299	A10-SJ10	LFBV	312-25A0202	T-21M	
	421-BT332	A10-SV10	LGFV	312-25AB0202	T-17M	C-555
	421-BT387	A10-SF10	LFAV	312-24A0202	T-21N	
INDUSTRIAL GAS TYPE IGNITION TRANSFORMERS - 6,000 Volt Secondary One End Ground, 120 Volt, 50/60 Hz						
CLEAVER BROOKS	1092-H	A060SJ5		612-8A021		
GORDON PIATT	1092-S	GPA-06 A06-SA6	6EEGW-2	612-6A020/ 612-6A072	T-246N	
IRON FIREMAN, DUNHAM-BUSH	1092-K	A06-SY3		612-8AB017		
BX CONNECTOR	1092-F	A06-SB6	6EEGW-2	612-6A7	T-246N	
NORTH AMERICAN	1092-NA	A06-SI1		612-8A02		
POWER FLAME	1092-PF	A06-SA6PF		612-6A056		
RAY BURNER	1092-N	A06-SD7	3RAFYR-14	613-6A10	T-193N	
WEBSTER (PRIMARY HAS 3 WIRES)	1092-SG	A06-SA6G		612-6A020 612-6A072		
INDUSTRIAL GAS/OIL TYPE IGNITION TRANSFORMERS 10,000 Volt Secondary One End Ground 120 Volt						
OIL APPLICATION	542-A	A10-LA22		312-6A0456		
CLEAVER BROOKS	542-H	A10-LN2X				
GORDON PIATT	542-GP	A10-LA22		312-9A0456		
POWER FLAME	542-PF					

Burner Manufacturer	Allanson	Dongan	Beckett	France	Carlin	Sid Harvey
OMNI® IGNITOR	2275U	SSI-UR200		10SAY-01		T96I
AERO	2275-456	SSI-AR211	51828U	10SAY-56	41000-SO-AR	T87E
BECKETT A, AF, AFG	2275-628G	SSI-BK103	51771U	10SAY-04	41000-SO-BK1	T92E (1)
BECKETT AFII	2275-658		51805U	10SAYL-70		T97E
BECKETT S	2275-605	SSI-BK204	51824U	10SAY-05	41000-SO-BK2	T90E
CARLIN 17.5, 200, 201, 500, 501, CRD	2275-629	SSI-CR206	51840U	10SAY-16	41000-SO-SC	T95E
CARLIN 99, 100, 101, CRD	2275-630	SSI-CR205	51826U	10SAY-15	41000-SO-CAS	T94E
CARLIN 601 & UP	2275-633		51880U		41000-SO-LC	
WAYNE HI SPEED M/MH	2275-619	SSI-WN202	51825U	10SAY-03	41000-SO-WA3	T93E
WAYNE E	2275-620	SSI-WN208	51827U	10SAY-30	41000-SO-WA2	T88E
WAYNE HS	2275-647	SSI-WN209	51836U	10SAY-31	41000-SO-WA1	T89-10E
WEIL MCLAIN	2275-653		51837U	10SAY-32	41000-SO-WM	T96E
IGNITOR KIT	2275-KIT1		51835	10SAY-KIT	41000-SO-KIT	T97K

Allanson Gas Ignitors	Brahma	COFI	Carlin	France	Honeywell	Stens
2260	TCD Series	TRH, TRJ, TRK TRL, TRW Series	41800, 42800 Series	102482, M16697,101901, 098 Series	Q652B1006, Q2A1014, ET401A1 Series	040-022
2265						

Can't find the product you are looking for in the cross-reference? Call Allanson at 1.800.661.7251.

WARRANTY

Allanson agrees to correct any defects in material or workmanship which may develop in any oil burner or gas ignition transformer, and UVC Air Purification Ceiling Fixture sold, when used under proper or normal conditions, during a period of 36 months and 12 months respectively, from the date of manufacture. Allanson offers a 36 month warranty for the UVC Air Purification Ceiling Fixture if the product is registered online within 90 days of the purchase date. Such correction may be by repair, replacement, or material credit at the company's discretion.

This warranty does not include shipping costs to and from the factory. This correction shall fulfill completely any and all obligations by Allanson intended or implied by this warranty. Allanson shall not be responsible for consequential damage or for labour involved in making a replacement.

U.S.A

181 Cooper Ave., Suite 112, Tonawanda, NY 14150
cservice@allanson.com
T: 1.631.293.3880 | F: 1.631.293.3470

CANADA

83 Commerce Valley Drive East, Markham ON, L3T 7T3
cservice@allanson.com
T: 1.800.661.7251 | F: 1.416.752.6717

www.allanson.com

