

Specifications Guide

UV Ballasts

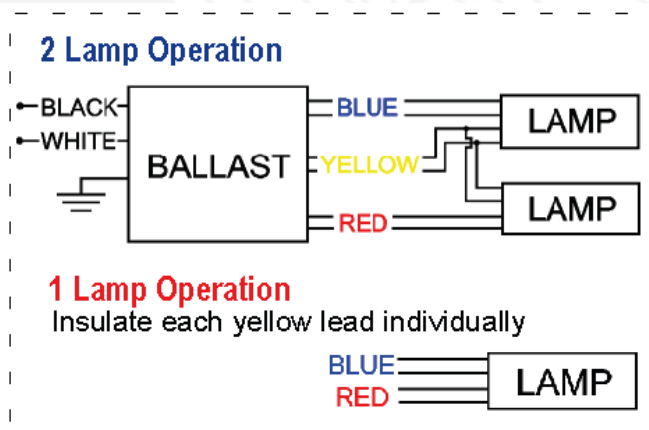
UVB120WHO-120-240V-ID

| Lamp Type /Catalog # | Manufacturer | # of Lamps | Power (W) | Current (mA) |
|----------------------|--------------|------------|-----------|--------------|
| GPH1148T5HO | Light Source | 1 to 2 | 120 | 800 |
| GPH1067T5HO | Light Source | 1 to 2 | 110 | 800 |
| TUV PL-L 95W /4P HO | Philps | 1 to 2 | 95 | 800 |
| TUV PL-L 60W /4P HO | Philps | 1 to 2 | 60 | 800 |
| TUV 36T5 HO | Philps | 1 to 2 | 75 | 800 |

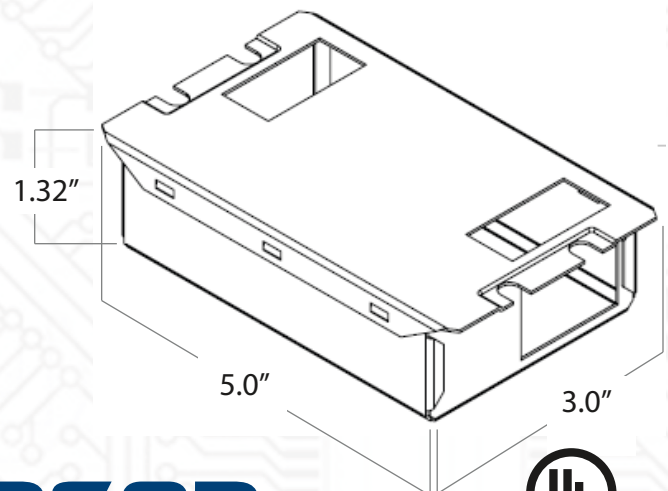
Ballast Specifications

| | | | |
|------------------------------|---|--------------------------------------|-----------------|
| Ballast type: | Program Start (PS) | Power Factor: | > 95% |
| Number of lamps: | 1 | Output Current: | 800mA |
| Normal input voltage: | 120-240V, +/-10%, 50-60Hz | Efficiency: | > 90% |
| Input current: | 1.05A(120V)/0.53A(240V) | Lamp Current Crest Factor: | 1.7 or less |
| Input power: | 120W @ full load | Striking/ignition voltage: | 1500 volt |
| Operating frequency: | > 30kHz | Filament preheat time: | 1.5-2.0 seconds |
| EMI requirements: | Meet FCC Part 18 | Ballast shut down/protection: | EOL/OC |
| Approvals: | UL/cUL Listed, Class "P", Indoor, Type 1, CE | Ambient temperature: | 0-40°C |
| | | Case maximum temperature: | 75°C |
| | | Sound rating: | "A" |
| | | Weight: | 1.10 lbs |

Wiring Diagram and Dimensions



Leads available for external LEDs in both input side (Power on), and output side (Lamp on).



Allanson
LIGHTING TECHNOLOGIES

