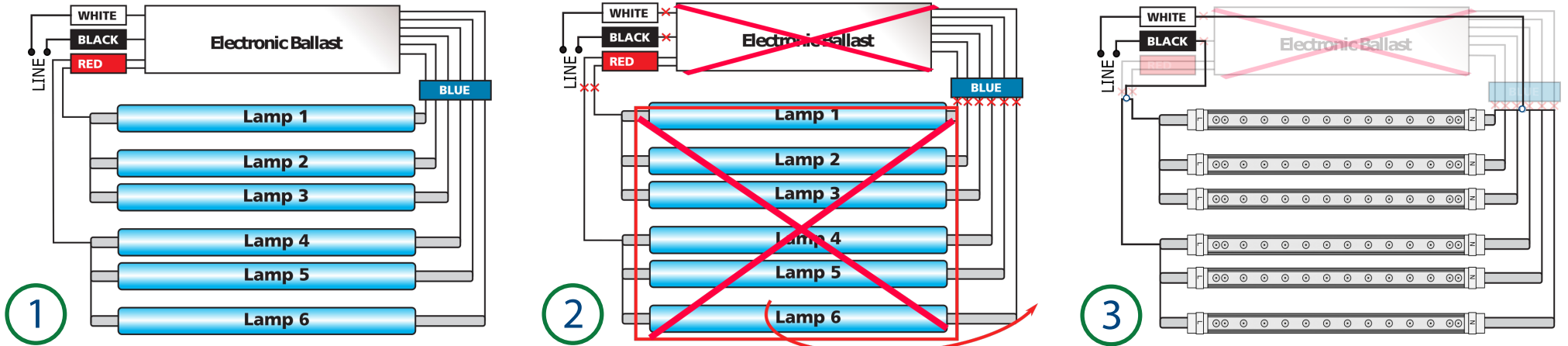


# WIRING DIAGRAM- ASPL-XXCW-DSMV

This document is complimentary to the SpeedLamp Instruction Manual (#21-322) and must be referenced after reading the manual. **IMPORTANT: There should be NO Power ever to the lampholders for any reason during installation!**

**AC Primary Voltage: 120-277V**

## Parallel Connection Wiring Diagram (For retrofitting of signs with Instant-Start Ballast)



## Series Connection Wiring Diagram (For retrofitting of signs with Rapid-Start Ballast)

